

1718760-2 ✓ ACTIVE

AMP | MCON Interconnection System

TE Internal #: 1718760-2

MCON Interconnection System, Automotive Terminals, Tab, Tab

Width .047 in [1.2 mm], Tab Thickness .024 in [.6 mm]

[View on TE.com >](#)



Terminals & Splices > Automotive Terminals > MCON, RECEPTACLE AND TAB



Terminal & Splice Type: **Tab**

Mating Tab Width: **1.2 mm [.047 in]**

Mating Tab Thickness: **.6 mm [.024 in]**

Terminal Transmits: **0 – 24 A (Low Power)**

Wire Size: **20 – 18 AWG**

[All MCON, RECEPTACLE AND TAB \(102\)](#)

Features

Product Type Features

Receptacle Style	180°
Sealable	Yes
Primary Locking Feature	Locking Lance
Automotive Terminal Wire Type	Copper

Body Features

Automotive Terminal Seal Type	Single Wire Seal (SWS)
-------------------------------	------------------------

Contact Features

Typical Current Rating	10 A
Crimp Type	F-Crimp
Terminal & Splice Type	Tab
Mating Tab Width	1.2 mm [.047 in]
Mating Tab Thickness	.6 mm [.024 in]
Automotive Terminal Interface Plating	Gold (Au)
Contact Termination Area Plating Material	Tin (Sn)

Termination Features

Termination Method to Wire & Cable	Crimp
Automotive Terminal Termination Method	Wire



Dimensions

Wire Size	.5 – .75 mm ²
Wire Size Search	18 AWG, 19 AWG, 20 AWG
Wire Insulation Diameter	1.3 – 1.9 mm [.051 – .074 in]

Usage Conditions

Insulation Requirement	Uninsulated
Operating Temperature (Max)	80 °C, 85 °C, 90 °C, 100 °C, 105 °C, 110 °C, 120 °C, 125 °C, 130 °C, 140 °C, 145 °C, 150 °C [176 °F][185 °F][194 °F][212 °F][221 °F][230 °F][248 °F][257 °F][266 °F][284 °F][293 °F][302 °F]
Operating Temperature Range	-40 – 150 °C [-40 – 302 °F]

Industry Standards

Agency/Standard	LV214
-----------------	-------

Packaging Features

Packaging Method	Reel
Packaging Quantity	6000

Other

Terminal Transmits	0 – 24 A (Low Power)
--------------------	----------------------

Product Compliance

[For compliance documentation, visit the product page on TE.com>](#)

EU RoHS Directive 2011/65/EU	Compliant
EU ELV Directive 2000/53/EC	Out of Scope
China RoHS 2 Directive MIIT Order No 32, 2016	No Restricted Materials Above Threshold
EU REACH Regulation (EC) No. 1907/2006	Current ECHA Candidate List: JUL 2021 (219) Candidate List Declared Against: JUL 2021 (219) Does not contain REACH SVHC
Halogen Content	Low Halogen - Br, Cl, F, I < 900 ppm per homogenous material. Also BFR/CFR/PVC Free
Solder Process Capability	Not applicable for solder process capability

Product Compliance Disclaimer

This information is provided based on reasonable inquiry of our suppliers and represents our current actual knowledge based on the information they provided. This information is subject to change. The part numbers that TE has identified as EU RoHS compliant have a maximum concentration of 0.1% by weight in homogenous materials for lead, hexavalent chromium, mercury, PBB, PBDE, DBP, BBP, DEHP, DIBP, and 0.01% for cadmium, or qualify for an exemption to these limits as defined in the Annexes of Directive 2011/65/EU (RoHS2). Finished electrical and electronic equipment products will be CE marked as required by Directive 2011/65/EU. Components may not be CE marked. Additionally, the part numbers that TE has identified as EU ELV compliant have a maximum concentration of 0.1% by weight in homogenous materials for lead, hexavalent chromium, and mercury, and 0.01% for cadmium, or qualify for an exemption to these limits as defined in the Annexes of Directive 2000/53/EC (ELV). Regarding the REACH Regulation, the information TE provides on SVHC in articles for this part number is based on the latest European Chemicals Agency (ECHA) 'Guidance on requirements for substances in articles' posted at this URL: <https://echa.europa.eu/guidance-documents/guidance-on-reach>

Compatible Parts



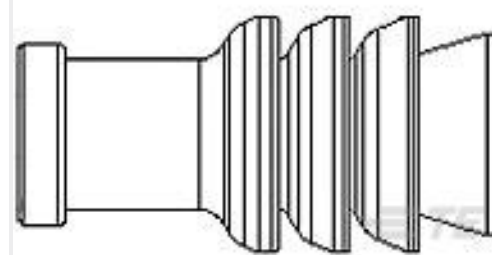
TE Part # CAT-M4595-CH8172
MCON, CONNECTOR HOUSING



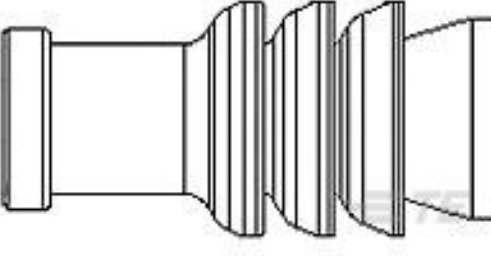
TE Part # 5-1579007-3
EXTRACTION TOOL



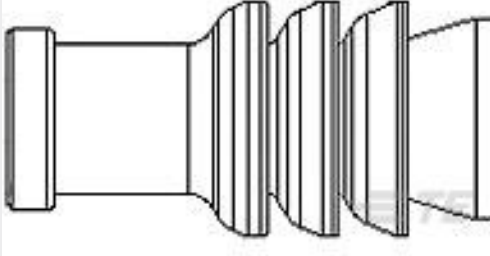
TE Part # 964972-1
EINZELLEITERDICHTUNG



TE Part # 967056-1
MQS BLINDSTOPFEN4MM



TE Part # 967067-1
MQS SGL WIRE SEAL



TE Part # 967067-2
MQS EINZELLEITDICHT



TE Part # 2305570-1
TERMINAL CUTTER, SIDE FEED



TE Part # 7-1452668-2
MCON 1.2 LL REC SWS AU



TE Part # 3-1579028-8
EXTRACTION TOOL



TE Part # 2-2151477-1
OCEAN_2.0_APPLICATOR-S-055F125F



TE Part # 2-2151477-2
OCEAN_2.0_APPLICATOR-S-055F125F



TE Part # 2151477-1
OCEAN_2.0_APPLICATOR-S-055F125F



TE Part # 2151477-2
OCEAN_2.0_APPLICATOR-S-055F125F



TE Part # 5-2151477-1
OCEAN_2.0_APPLICATOR-S-055F125F



TE Part # 5-2151477-2
OCEAN_2.0_APPLICATOR-S-055F125F



TE Part # 7-2151477-1
OCEAN_2.0_APPLICATOR-S-055F125F



TE Part # 7-2151477-2
OCEAN_2.0_APPLICATOR-S-055F125F



KIT
REPRESENTATION ONLY

TE Part # 7-2151477-7
OCEAN_2.0_SPARE_PART_KIT-055F125F




TE Part # 4-1579001-6
ERGO DIE MCP 1,2 LL EDS

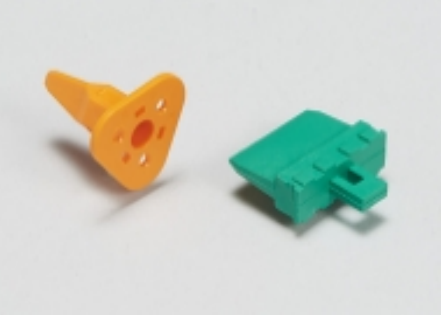


TE Part # 1801606-5
TAB HOUSING, MCON, 10 W, SEALED


Also in the Series | MCON Interconnection System




Automotive Connector Caps & Covers (24)



Automotive Connector Locks & Position Assurance(11)




Automotive Headers(1)




Automotive Housings(288)




Automotive Seals & Cavity Plugs(4)



Automotive Terminals(113)



Insertion & Extraction Tools(31)



Other Automotive Connector Accessories(6)

Customers Also Bought



TE Part #1-2141520-1
MCON, CONNECTOR HOUSING



TE Part #185001-6
4P TAB JPT HOUSING




TE Part #4-1534127-1
AMP MCP 2.8 SOCKET HSG.,21POS. ASSY




TE Part #3000814006
ATUM-6/2-X-SP




TE Part #NB14414001
VERSAFIT-3/4-4-FSP



TE Part #1SNS420000Z1372
AKD0002224600- C (APC1 UD-XT1201)



TE Part #1SNS420000Z2453
AND0002897032-A (XTX02-PO)



TE Part #1SNS420001Z0057
PE00NSF131-F REP 105



Documents

Product Drawings

[MCON 1.2 LL TAB SWS AU](#)

English

CAD Files

Customer View Model

[ENG_CVM_CVM_1718760-2_B.2d_dxf.zip](#)

English

[3D PDF](#)

3D

Customer View Model

[ENG_CVM_CVM_1718760-2_B.3d_igs.zip](#)

English

Customer View Model

[ENG_CVM_CVM_1718760-2_B.3d_stp.zip](#)

English

By downloading the CAD file I accept and agree to the [Terms and Conditions](#) of use.

Datasheets & Catalog Pages

[MCON Interconnection System](#)

English

Product Specifications

[Product Specification](#)

English