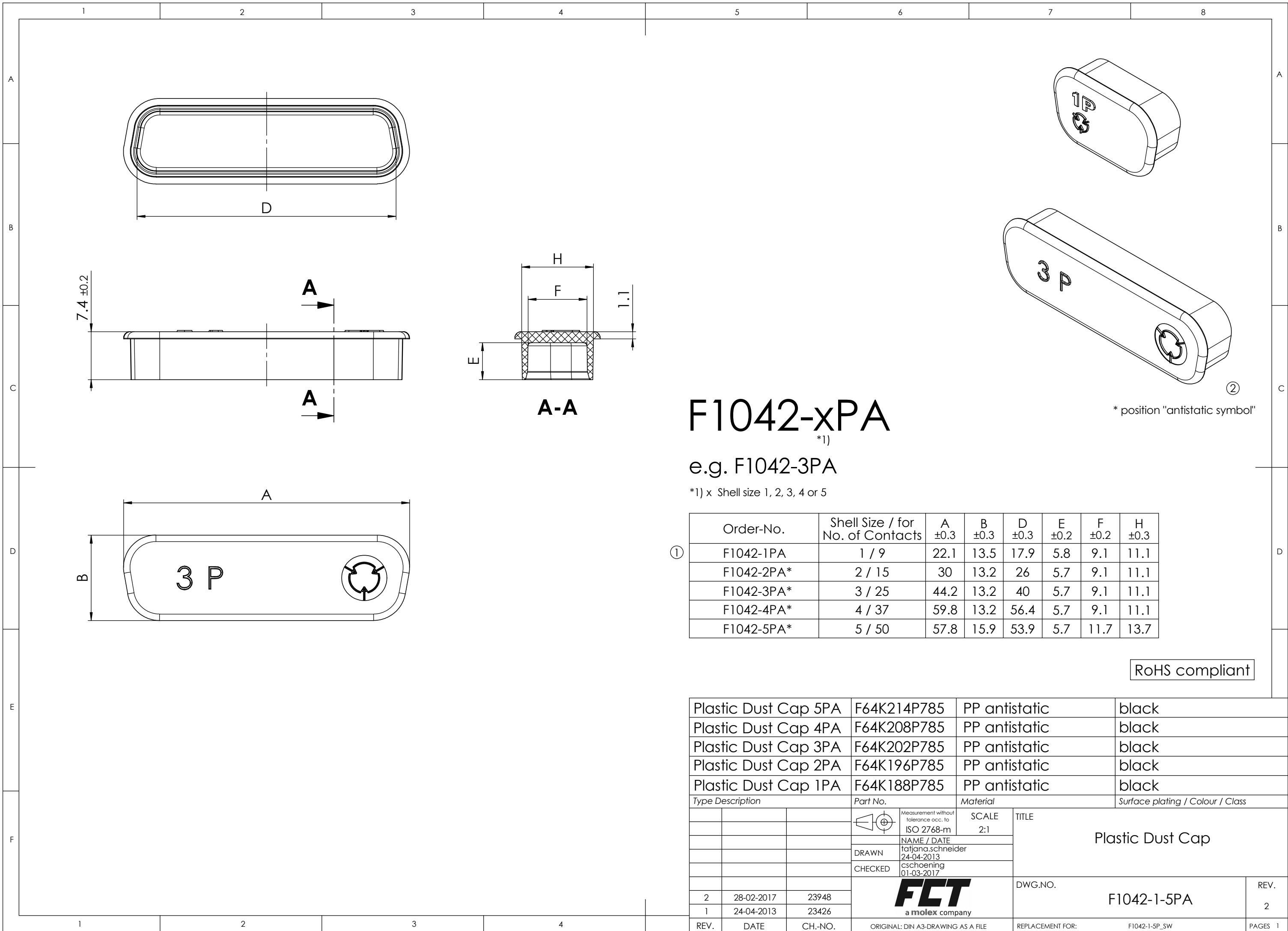


COMMENT: ALL RIGHTS ARE RESERVED BY US FOR THIS DRAWING. WITHOUT OUR PRIOR CONSENT, IT MAY NEITHER BE DUPLICATED NOR MADE AVAILABLE TO A THIRD PARTY, AND IT ALSO MAY NOT BE IMPROPERLY USED BY THE RECEIVER, OR A THIRD PARTY.

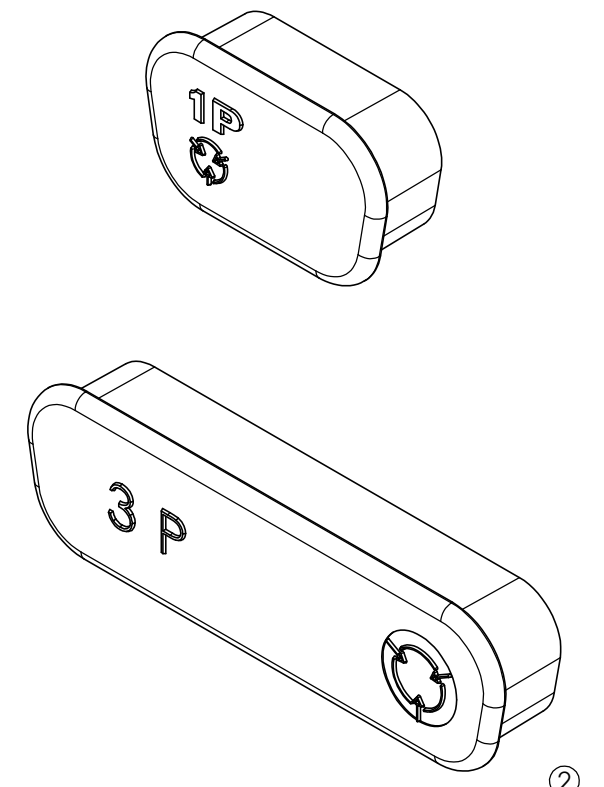


# F1042-xPA

\*1)

e.g. F1042-3PA

\*1) x Shell size 1, 2, 3, 4 or 5



\* position "antistatic symbol"

Order-No.	Shell Size / for No. of Contacts	A ±0.3	B ±0.3	D ±0.3	E ±0.2	F ±0.2	H ±0.3
① F1042-1PA	1 / 9	22.1	13.5	17.9	5.8	9.1	11.1
F1042-2PA*	2 / 15	30	13.2	26	5.7	9.1	11.1
F1042-3PA*	3 / 25	44.2	13.2	40	5.7	9.1	11.1
F1042-4PA*	4 / 37	59.8	13.2	56.4	5.7	9.1	11.1
F1042-5PA*	5 / 50	57.8	15.9	53.9	5.7	11.7	13.7

RoHS compliant

Plastic Dust Cap 5PA	F64K214P785	PP antistatic	black
Plastic Dust Cap 4PA	F64K208P785	PP antistatic	black
Plastic Dust Cap 3PA	F64K202P785	PP antistatic	black
Plastic Dust Cap 2PA	F64K196P785	PP antistatic	black
Plastic Dust Cap 1PA	F64K188P785	PP antistatic	black
Type Description	Part No.	Material	Surface plating / Colour / Class
		Measurement without tolerance occ. to ISO 2768-m	SCALE 2:1
		NAME / DATE	TITLE
	DRAWN	tatjana.schneider 24-04-2013	Plastic Dust Cap
	CHECKED	cschoening 01-03-2017	
2	28-02-2017	23948	DWG.NO.
1	24-04-2013	23426	F1042-1-5PA
REV.	DATE	CH.-NO.	REPLACEMENT FOR: F1042-1-5P_SW
			PAGES 1

