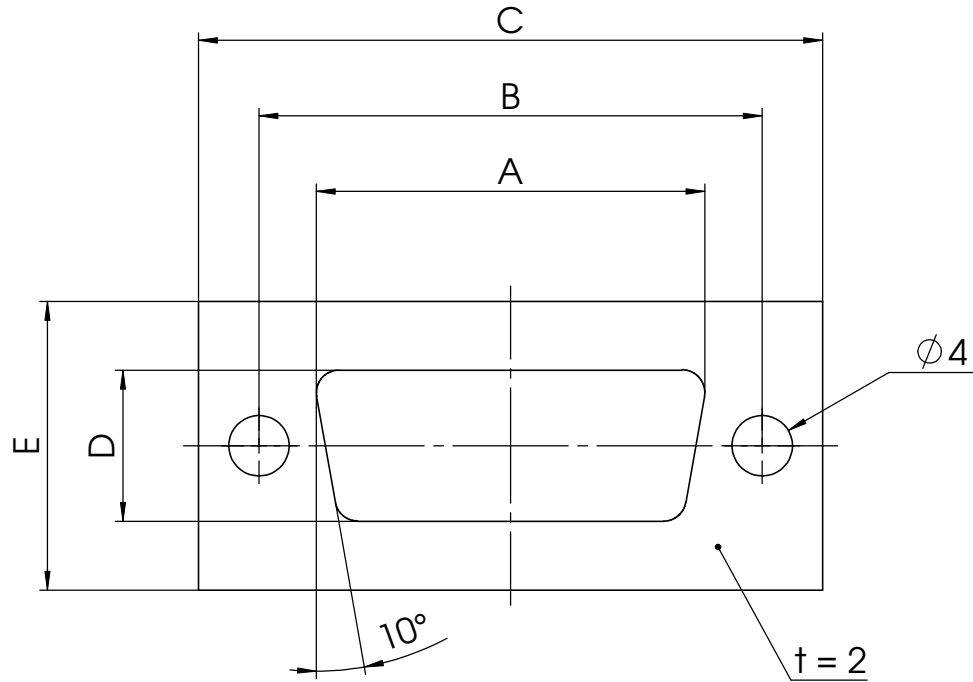
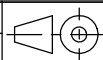


Preliminary drawing
 Development status: 23.09.2010



| Part No. | A | B | C | D | E |
|----------|------|-------|-------|------|------|
| FDF1 | 17.4 | 25.0 | 33.0 | 10.0 | 19.1 |
| FDF2 | 25.7 | 33.3 | 41.3 | | |
| FDF3 | 39.6 | 47.0 | 55.0 | | |
| FDF4 | 55.9 | 63.5 | 71.5 | | |
| FDF5 | 53.6 | 61.11 | 69.11 | | |



Measurement without tolerance occ. to ISO 2768-m

SCALE 2:1

NAME / DATE
 sschref
 13-09-2010

DRAWN

CHECKED

TITLE

RF Clad Foam Gaskets

DWG.NO.

FDF_D

REV.

1

1

REV.

DATE

CH.-NO.

ORIGINAL: DIN A4-DRAWING AS A FILE

REPLACEMENT FOR:

PAGES 1

COMMENT:
 ALL RIGHTS ARE RESERVED BY US FOR THIS DRAWING. WITHOUT OUR PRIOR CONSENT,
 IT MAY NEITHER BE DUPLICATED NOR MADE AVAILABLE TO A THIRD PARTY.
 AND IT ALSO MAY NOT BE IMPROPERLY USED BY THE RECEIVER, OR A THIRD PARTY.

FCTgroup
 fctgroup.com