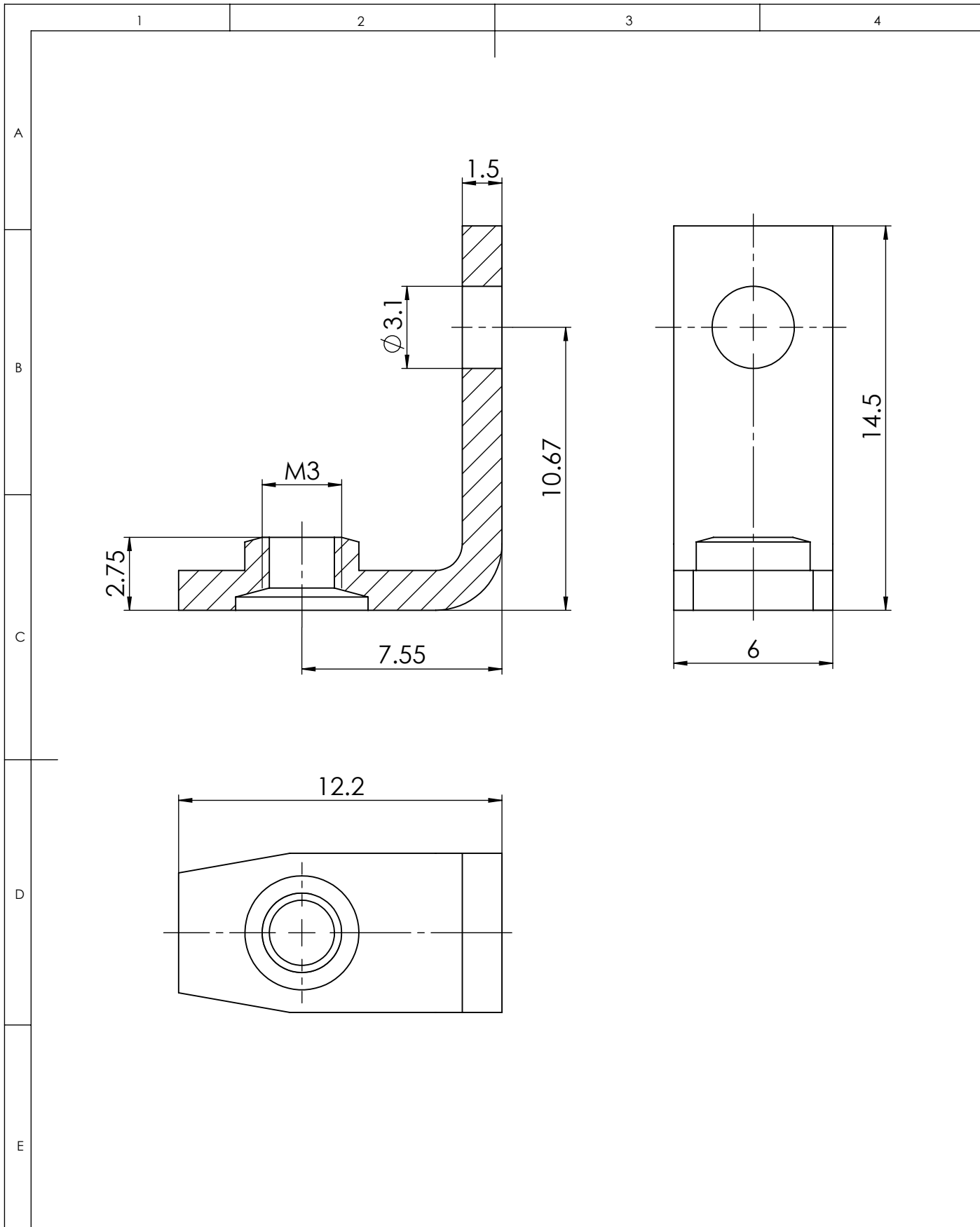
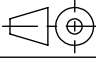



COMMENT:
 ALL RIGHTS ARE RESERVED BY US FOR THIS DRAWING. WITHOUT OUR PRIOR CONSENT,
 IT MAY NEITHER BE DUPLICATED NOR MADE AVAILABLE TO A THIRD PARTY,
 AND IT ALSO MAY NOT BE IMPROPERLY USED BY THE RECEIVER, OR A THIRD PARTY.



F1080-3-SN	Steel	fin plated
F1080-3	Steel	zinc plated
<i>Part No.</i>	<i>Material</i>	<i>Surface plating/Colour/Class</i>

			 Measurement without tolerance occ. to ISO 2768-m	SCALE 1:1	TITLE Metal Bracket			
						NAME / DATE		
			DRAWN ADenzinger 02-07-2012					
			CHECKED sschref 02-07-2012					
					DWG.NO.	F1080-3_D	REV.	1
1					REPLACEMENT FOR:		PAGES	
REV.	DATE	CH.-NO.	ORIGINAL: DIN A4-DRAWING AS A FILE		REPLACEMENT FOR:		PAGES 1	