

# THERMOPLASTIC QUICK COUPLINGS

## HIGH FLOW COUPLING

### 3/8" Flow Polypropylene

## FT-HFC-12 Series



By Individual  
Model No.†

- ✓ Drain Lines
- ✓ Filling Lines
- ✓ Waste Handling
- ✓ Chemical Transfer
- ✓ Photo Processing Chemicals
- ✓ Spray Equipment

### Features

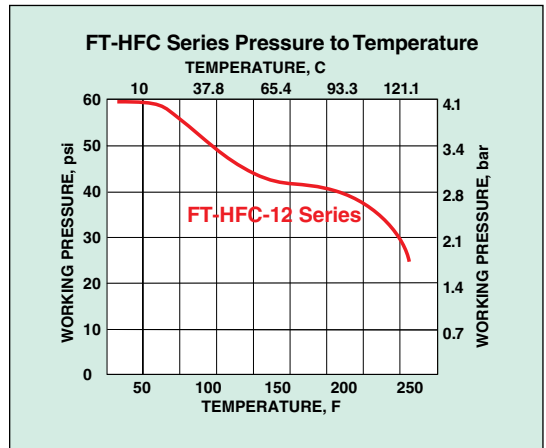
- ✓ Chemically Resistant
- ✓ Shutoff Valves Available in Both Halves
- ✓ High Volume Fluid Handling
- ✓ Attractive Design
- ✓ Low Force to Couple
- ✓ Inexpensive
- ✓ Gamma Sterilizable Applications
- ✓ Cooling Lines

OMEGA's High Flow Coupling Series has flow comparable to many 1/2" nominal flow couplings in a 3/8" body size. Small body size and light weight, these single or double end shutoff couplings have a large flow capacity. They replace bulky, heavy brass or stainless steel couplings in many applications.



**PATENTED**

Covered by U.S. and International patents and pending applications



## Coupling Bodies 3/8" Flow

### To Order



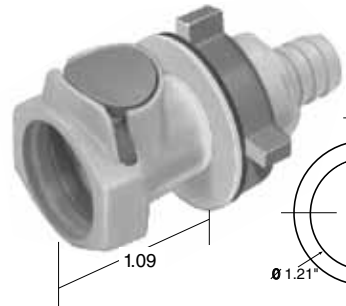
#### Male Pipe Thread Body

MALE THREAD	STRAIGHT THRU MODEL NUMBER	SHUTOFF MODEL NUMBER	LENGTH (inch)
3/8" NPT	FT-HFC106-12	FT-HFCD106-12	2.72
1/2" NPT	FT-HFC108-12	FT-HFCD108-12	2.72
3/4" NPT	FT-HFC1012-12	FT-HFCD1012-12	3.07



#### Hose Barb Body

TUBING SIZE ID	METRIC EQ mm	STRAIGHT THRU MODEL NUMBER	SHUTOFF MODEL NUMBER	LENGTH (inch)
3/8"	9.5	FT-HFC176-12	FT-HFCD176-12	2.82
1/2"	12.7	FT-HFC178-12	FT-HFCD178-12	2.82
5/8"	15.9	FT-HFC1710-12	FT-HFCD1710-12	2.97
3/4"	19	FT-HFC1712-12	FT-HFCD1712-12	2.97



#### Bulkhead Panel Mount Hose Barb Body

TUBING SIZE ID	METRIC EQ mm	STRAIGHT THRU MODEL NUMBER	SHUTOFF MODEL NUMBER	LENGTH (inch)
3/8"	9.5	FT-HFC166-12	FT-HFCD166-12	2.82
1/2"	12.7	FT-HFC168-12	FT-HFCD168-12	2.82
5/8"	15.9	FT-HFC1610-12	FT-HFCD1610-12	2.97
3/4"	19	FT-HFC1612-12	FT-HFCD1612-12	2.97

Panel thickness 0.030" to 0.25", 1.20" diameter mounting hole 1.87" minimum coupling spacing Greenlee 730K-3/16 Keyway Punch Unit and 730S Hole Punch. Ø = diameter

† Visit [omega.com/rohs](http://omega.com/rohs) to determine specific RoHS compliance.

## SPECIFICATIONS

**Working Pressure:** Vacuum to 60 psi (4.2 bar) (see graph)

**Operating Temperature:** Maximum 110°C (230°F),

Minimum 0°C (32°F), (see graph)

**Materials:**

**Coupling:** Polypropylene

**Seals:** EPR, others available

**Color:** Light Gray with Charcoal Gray latch

**Valve Spring:** 316 Stainless Steel

**Latch Spring:** 316 Stainless Steel

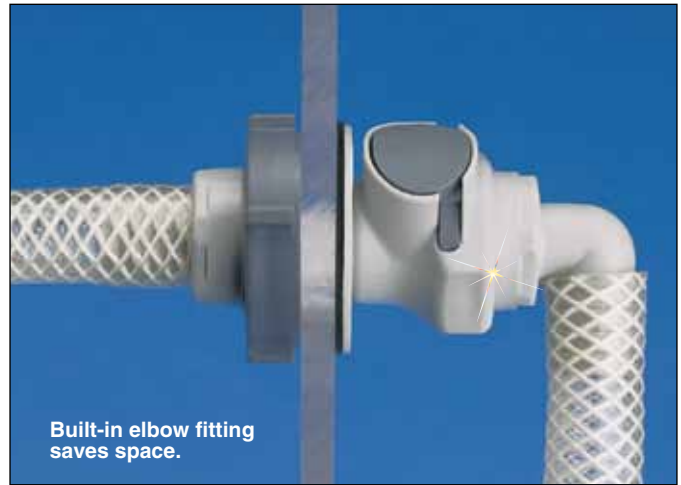
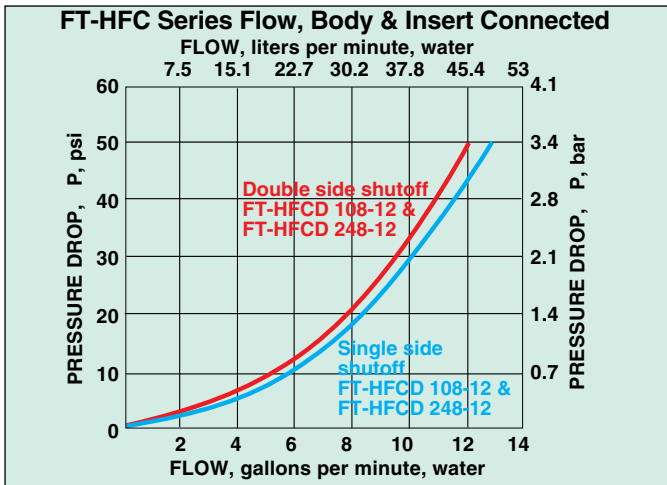
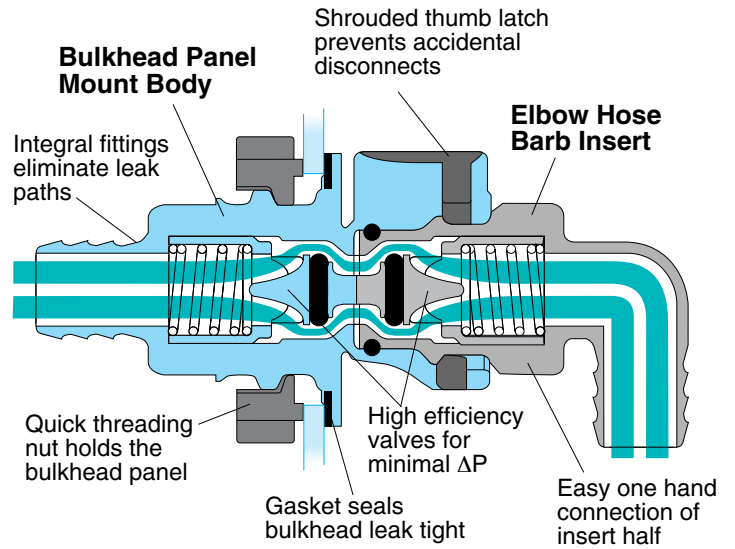
**Suggested Tubing:**

PVC, Silicone, Reinforced PVC, Polyurethane

**Flow Information:**

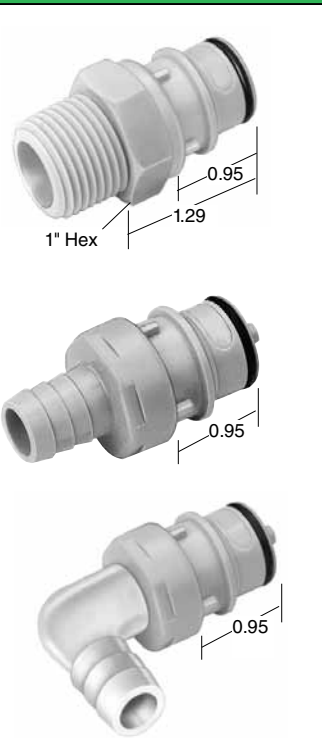
$\frac{3}{8}$ " Hose Barb: 0.281" flow

$\frac{1}{2}$ " Hose Barb: 0.375" flow



## Coupling Inserts $\frac{3}{8}$ " Flow

### To Order



### Male Pipe Thread Insert

MALE THREAD	STRAIGHT THRU MODEL NUMBER	SHUTOFF MODEL NUMBER	LENGTH (inch)
$\frac{3}{8}$ NPT	FT-HFC246-12	FT-HFCD246-12	1.76
$\frac{1}{2}$ NPT	FT-HFC248-12	FT-HFCD248-12	1.76
$\frac{3}{4}$ NPT	FT-HFC2412-12	FT-HFCD2412-12	2.14

### Hose Barb Insert

TUBING SIZE ID	METRIC EQ mm	STRAIGHT THRU MODEL NUMBER	SHUTOFF MODEL NUMBER	LENGTH (inch)
$\frac{3}{8}$ "	9.5	FT-HFC226-12	FT-HFCD226-12	1.86
$\frac{1}{2}$ "	12.7	FT-HFC228-12	FT-HFCD228-12	1.86
$\frac{5}{8}$ "	15.9	FT-HFC2210-12	FT-HFCD2210-12	2.03
$\frac{3}{4}$ "	19	FT-HFC2212-12	FT-HFCD2212-12	2.01

### Elbow Hose Barb Insert

TUBING SIZE ID	METRIC EQ mm	STRAIGHT THRU MODEL NUMBER	SHUTOFF MODEL NUMBER	LENGTH (inch)
$\frac{3}{8}$ "	9.5	FT-HFC236-12	FT-HFCD236-12	1.94
$\frac{1}{2}$ "	12.7	FT-HFC238-12	FT-HFCD238-12	1.94

Polypropylene coupling halves do not interchange with other materials.

**Ordering Examples:** FT-HFCD176-12,  $\frac{3}{8}$ " ID hose barb body, and FT-HFC226-12  $\frac{3}{8}$ " ID hose barb insert. FT-HFC106-12,  $\frac{3}{8}$  MNPT body and FT-HFC246-12,  $\frac{3}{8}$  MNPT insert.