

USB Type-C Power Delivery

High Voltage Protection of CC Pins USB Type-C Power Delivery Controller

BD93F10MWV

General Description

BD93F10MWV is a full function USB Type-C Power Delivery (PD) Controller that supports USB PD using base-band communication. It is compatible with USB Type-C Specification and Power Delivery specification. BD93F10MWV includes support for the PD policy engine and communicates with an Embedded Controller or the SoC via host interface.

Features

- 32 Bit ARM® Cortex®-M0 Processor Embedded
- USB Type-C Specification Ver.1.3 Compatible
- USB PD Specification Ver.3.0 Compatible
- Integrated VBUS N-ch MOSFET Switch Gate Driver
- Integrated VBUS Discharge Switch
- Protection Voltage of CC Pins is 28 V
- Supports Dead Battery operation
- I2C Interface for Host Communication

Key Specifications

- VBUS Voltage Range: 3.67 V to 22 V
- VSVR Voltage Range: 3.1 V to 5.5 V
- Operating Temperature Range: -30 °C to +85 °C
- Protection Voltage of CC Pins: 28 V

FW Revision

- Rev.7525(1D65h)

Applications

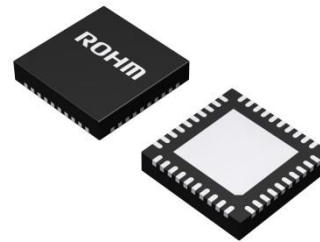
- Printers
- Projectors
- Mobile Batteries
- POS
- Drone
- Smart Speaker
- LAN Device
- Set Top Box

Package

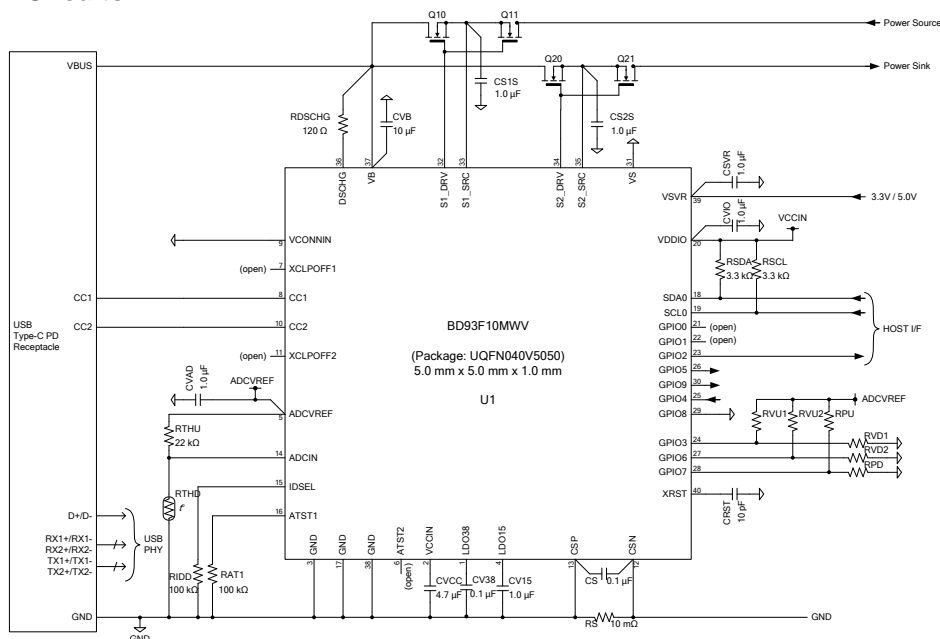
UQFN040V5050

W (Typ) x D (Typ) x H (Max)

5.0 mm x 5.0 mm x 1.0 mm



Typical Application Circuits



“ARM® Cortex®” is a registered trademark of Arm Limited.

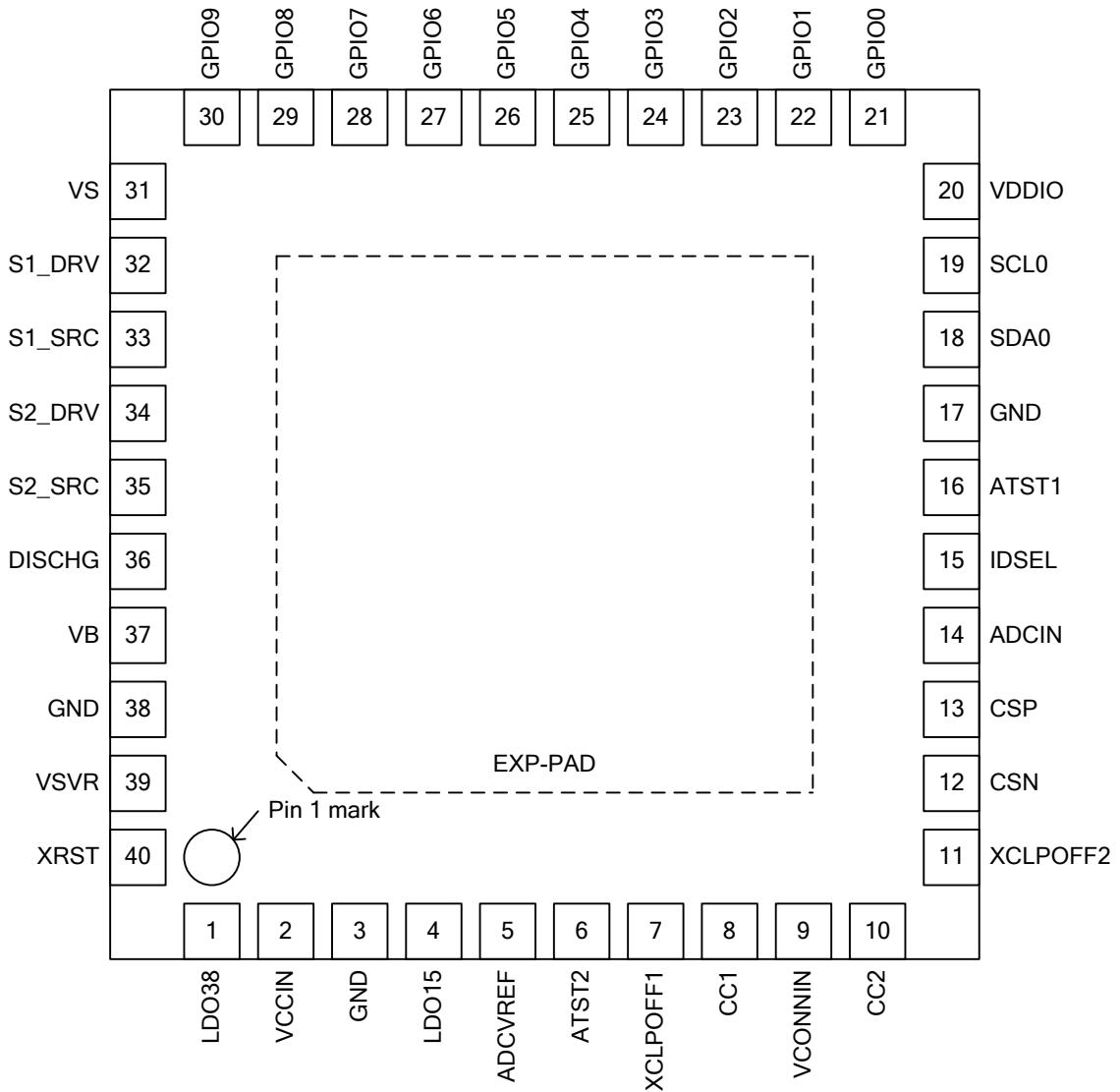
○Product structure : Silicon integrated circuit ○This product has no designed protection against radioactive rays.

Contents

General Description	1
Features.....	1
Key Specifications	1
FW Revision	1
Applications	1
Package.....	1
Typical Application Circuits	1
Contents	2
Pin Configuration	3
Pin Description.....	4
Block Diagram	5
Description of Block.....	6
Absolute Maximum Ratings	7
Thermal Resistance.....	7
Recommended Operating Conditions	8
Internal Memory Cell Characteristic.....	8
Electrical Characteristic	8
Timing Chart	10
I/O Equivalence Circuits.....	12
Operational Notes.....	14
1. Reverse Connection of Power Supply	14
2. Power Supply Lines.....	14
3. Ground Voltage.....	14
4. Ground Wiring Pattern.....	14
5. Recommended Operating Conditions.....	14
6. Inrush Current.....	14
7. Testing on Application Boards	14
8. Inter-pin Short and Mounting Errors	14
9. Unused Input Pins	14
10. Regarding the Input Pin of the IC	15
11. Ceramic Capacitor.....	15
12. Thermal Shutdown Circuit (TSD).....	15
13. Over Current Protection Circuit (OCP)	15
Ordering Information.....	16
Marking Diagram	16
Physical Dimension and Packing Information	17
Revision History.....	18

Pin Configuration

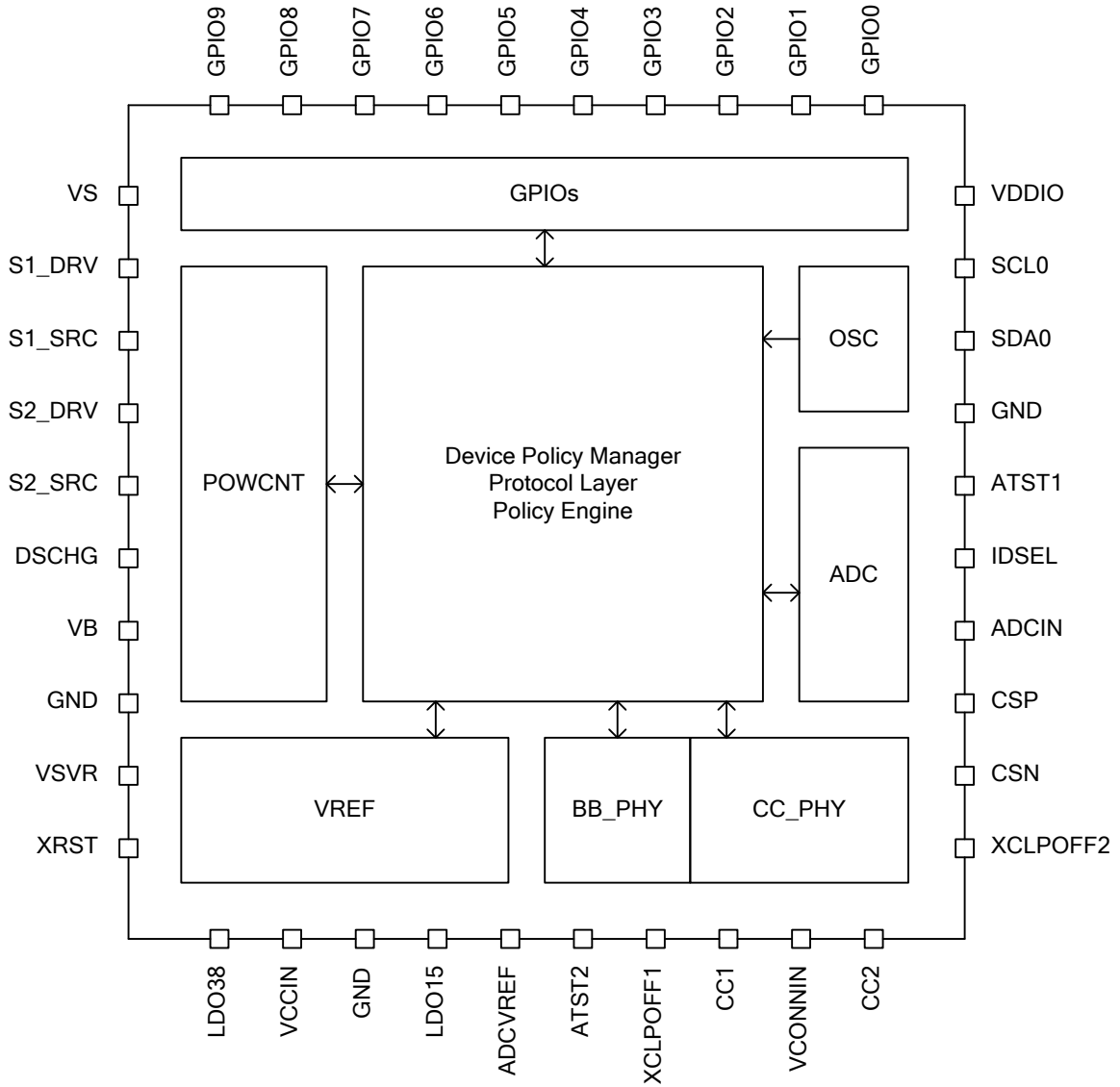
(TOP VIEW)



Pin Description

Pin No.	Pin Name	Function
1	LDO38	Internal LDO 3.8 V
2	VCCIN	Internal power supply (for internal use only)
3	GND	Ground
4	LDO15	Internal LDO 1.5 V
5	ADCVREF	Reference voltage for ADC
6	ATST2	Analog test pin. Short to GND.
7	XCLPOFF1	Disable clamper of CC1 L: Dead-battery not support, Open: Dead-battery support
8	CC1	Configuration channel 1 for Type-C
9	VCONNIN	Input power for VCONN
10	CC2	Configuration channel 2 for Type-C
11	XCLPOFF2	Disable clamper of CC2 L: Dead-battery not support, Open: Dead-battery support
12	CSN	Current sensing negative input
13	CSP	Current sensing positive input
14	ADCIN	Input voltage to ADC
15	IDSEL	I2C Device ID Select
16	ATST1	Analog test pin. Short to GND.
17	GND	Ground
18	SDA0	SMBus slave data
19	SCL0	SMBus slave clock
20	VDDIO	GPIO H level voltage input
21	GPIO0	GPIO
22	GPIO1	GPIO
23	GPIO2	GPIO
24	GPIO3	GPIO
25	GPIO4	GPIO
26	GPIO5	GPIO
27	GPIO6	GPIO
28	GPIO7	GPIO
29	GPIO8	GPIO
30	GPIO9	GPIO
31	VS	Source voltage monitor input
32	S1_DRV	Power path FET gate control
33	S1_SRC	Power path FET BG/SRC voltage
34	S2_DRV	Power path FET gate control
35	S2_SRC	Power path FET BG/SRC voltage
36	DISCHG	Discharge NMOS drain (Max 28 V)
37	VB	Power supply from VBUS
38	GND	Ground
39	VSVR	Power supply from 3.3 V / 5 V system voltage rail
40	XRST	System reset signal input
-	EXP-PAD	EXP-PAD connects with substrate of IC. On the board, this PAD shall be shorted to Ground or be open condition.

Block Diagram



Description of Block

(VREF)

VREF block is internal power source circuit of this LSI with the UVLO (Under Voltage Lock Out) function. The main power input is VSVR. And for supporting dead battery operation, VB can become power source of this LSI when VSVR does not exist.

VREF block monitors VSVR and VB, and chooses an appropriate power supply by detecting normal condition or dead battery condition. From the voltage it chose, it generates VCCIN and LDO15 for internal circuits.

(OSC)

OSC block is reference clock circuit of this LSI. This LSI does not need another external clock source.

(I/F Bus)

I/F Bus block have I2C Slave for Host Control. The I2C Slave is intended to communicate with HOST MCU such as the EC.

(Device Policy Manager)

Device Policy Manager manages USB Type-C Power Delivery operation. It is constructed in internal MCU and program memory. It is accessible using Host IF Bus from external host MCU. And the writing access to program memory is possible from Host IF Bus.

(Policy Engine / Protocol Layer)

Policy Engine and Protocol Layer carry out USB Power Delivery operation. These blocks are constructed in internal MCU and the program memory in the same way as Device Policy Manager.

(CC_PHY)

CC_PHY block is a physical layer of USB Type-C. It supports the following function

- Pull-down Resistor for Up Facing Port (UFP)
- the CC1 pin and the CC2 pin clamper for dead battery
- VBUS Detecting

(BB_PHY)

BB_PHY block is a physical layer of USB Power Delivery. By control from Protocol Layer, it performs coding, decoding and judgment of CRC and communicates Base Band PD signal.

(POWCONT)

POWCONT block is power path control circuit of VBUS. It has two gate drivers for Nch MOSFET switch, high withstand discharge switch for VBUS and over voltage protection (OVP).

(ADC)

ADC block is a general-purpose ADC. It is used for the monitoring of various operating states. Monitoring object is external input voltage for thermistor circuit, VBUS voltage, system Voltage, die temperature and source current

Absolute Maximum Ratings (Ta = 25 °C)

Parameter	Symbol	Rating	Unit
Supply Voltage [VSVR]	V _{SVR}	-0.3 to +6.0	V
VBUS Voltage [VB]	V _B	-0.3 to +28	V
I/O Voltage [VDDIO]	V _{DDIO}	-0.3 to V _{SVR} (or V _B)	V
Maximum Junction Temperature	T _{jmax}	+150	°C
Storage Temperature Range	T _{stg}	-55 to +150	°C
S1_SRC, S2_SRC Voltage	V _{SRC}	-0.3 to +22	V
S1_DRV, S2_DRV Voltage	V _{DRV}	-0.3 to (V _{SRC} +6.0)	V
DSCHG, CC1, CC2, VS Voltage	V _{HV}	-0.3 to +28	V
LDO15, ADCVREF, ADCIN Voltage	V _{LV}	-0.3 to +2.1	V
Differential Voltage Between CSN and CSP	V _{CS}	-0.2 to +0.2	V
All Other Pins	V _{OTH}	-0.3 to +6.0	V

Caution 1: Operating the IC over the absolute maximum ratings may damage the IC. The damage can either be a short circuit between pins or an open circuit between pins and the internal circuitry. Therefore, it is important to consider circuit protection measures, such as adding a fuse, in case the IC is operated over the absolute maximum ratings.

Caution 2: Should by any chance the maximum junction temperature rating be exceeded the rise in temperature of the chip may result in deterioration of the properties of the chip. In case of exceeding this absolute maximum rating, design a PCB with thermal resistance taken into consideration by increasing board size and copper area so as not to exceed the maximum junction temperature rating.

Thermal Resistance ^(Note 1)

Parameter	Symbol	Thermal Resistance (Typ)		Unit
		1s ^(Note 3)	2s2p ^(Note 4)	
UQFN040V5050				
Junction to Ambient	θ_{JA}	113.6	24.5	°C/W
Junction to Top Characterization Parameter ^(Note 2)	Ψ_{JT}	8	3	°C/W

^(Note 1) Based on JESD51-2A (Still-Air).

^(Note 2) The thermal characterization parameter to report the difference between junction temperature and the temperature at the top center of the outside surface of the component package.

^(Note 3) Using a PCB board based on JESD51-3.

^(Note 4) Using a PCB board based on JESD51-5, 7.

Layer Number of Measurement Board	Material	Board Size
Single	FR-4	114.3 mm x 76.2 mm x 1.57 mmt

Top	
Copper Pattern	Thickness
Footprints and Traces	70 μ m

Layer Number of Measurement Board	Material	Board Size	Thermal Via ^(Note 5)	
			Pitch	Diameter
4 Layers	FR-4	114.3 mm x 76.2 mm x 1.6 mmt	1.20 mm	Φ 0.30 mm

Top		2 Internal Layers		Bottom	
Copper Pattern	Thickness	Copper Pattern	Thickness	Copper Pattern	Thickness
Footprints and Traces	70 μ m	74.2 mm x 74.2 mm	35 μ m	74.2 mm x 74.2 mm	70 μ m

^(Note 5) This thermal via connects with the copper pattern of all layers.

Recommended Operating Conditions

Parameter	Symbol	Min	Typ	Max	Unit
Operating Temperature	Topr	-30	+25	+85	°C
Supply Voltage	V _{SVR}	3.1	3.3	5.5	V
VBUS Voltage	V _B	3.67	-	22	V
VDDIO Voltage	V _{DDIO}	1.7	3.3	5.5	V

Internal Memory Cell Characteristic (Unless otherwise specified V_{SVR} = V_{DDIO} = 3.3 V, V_B = 5.0 V)

Parameter	Symbol	Min	Typ	Max	Unit	Conditions
Memory Data rewrite cycles ^(Note 6)	M _{rw}	100	-	-	cycles	Ta = -30 °C to 85 °C
Memory Data retention life ^(Note 7)	M _{rl}	20	-	-	years	Ta = -30 °C to 85 °C

(Note 6) BD93F10MWV cannot rewrite FW. ROHM cannot guarantee if FW is rewriting.

(Note 7) Not 100% Tested

Electrical Characteristic (Unless otherwise specified V_{SVR} = V_{DDIO} = 3.3 V, V_B = 5.0 V, Ta = 25 °C)

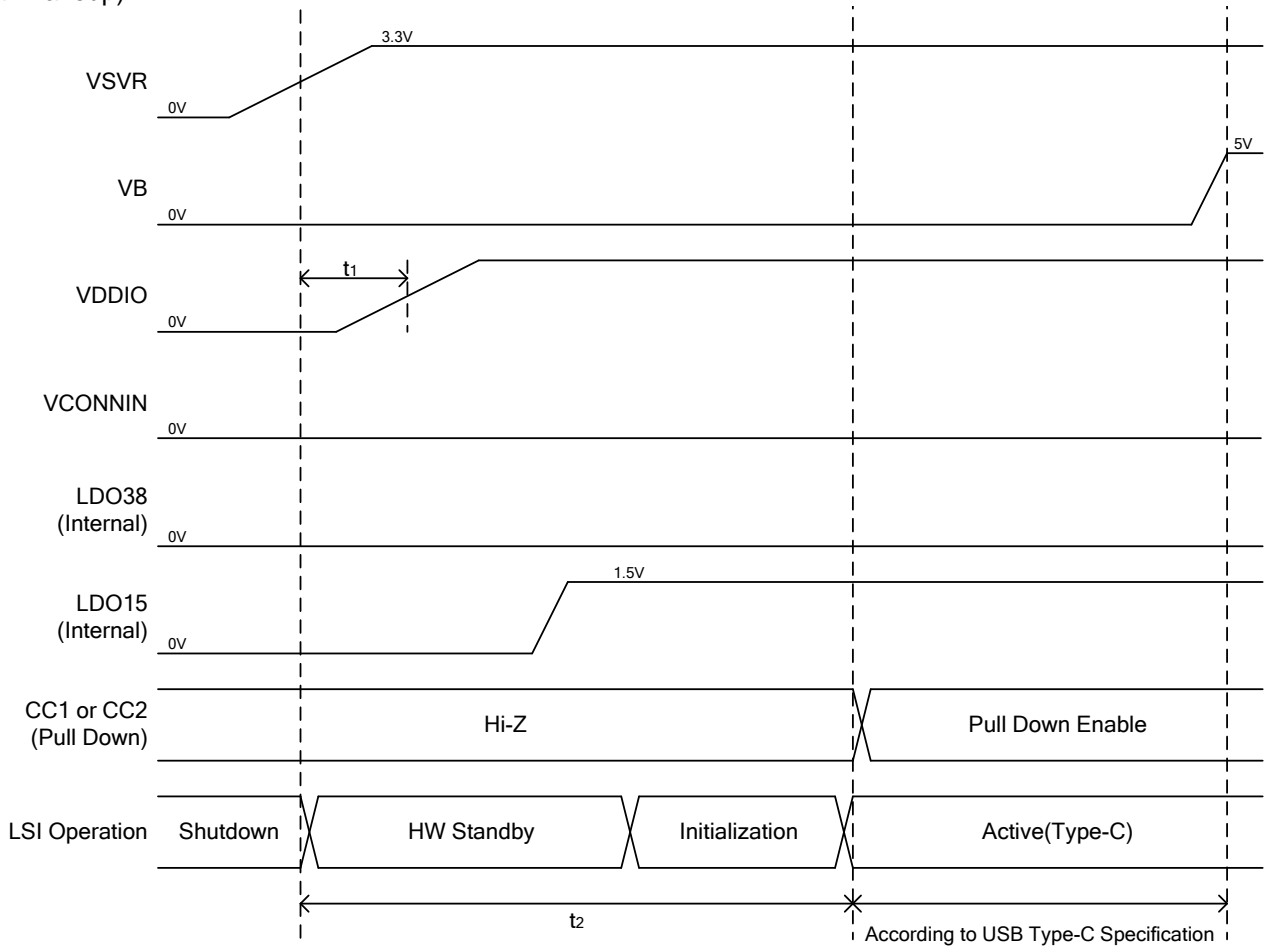
Parameter	Symbol	Min	Typ	Max	Unit	Conditions
Current Consumption						
Shutdown Current	I _{SD}	-	30	70	μA	XRST="L" V _{SVR} Current
Stop Current	I _{SP}	-	150	-	μA	USB-C Un-Attached V _{SVR} Current The option function stops.
Standby Current	I _{ST}	-	2	-	mA	USB-C Attached, PD Standby V _{SVR} Current
VREF						
VCCIN Voltage	V _{CCIN}	-	3.3	-	V	Standby
LDO38 Output Voltage	V ₃₈	-	3.8	-	V	Standby V _B = 5 V
LDO15 Output Voltage	V _{15D}	-	1.5	-	V	Standby
VSVR UVLO release	V _{DBSVR}	-	-	3.10	V	
VB UVLO release	V _{BUSDET}	-	-	3.67	V	
VDDIO UVLO release	V _{DBDDIO}	-	1.0	1.7	V	
Digital DC Characteristics (GPIOx: x = 2 to 9)						
Input "H" Voltage 1	V _{IH1}	0.8 x V _{DDIO}	-	V _{DDIO} + 0.3	V	
Input "L" Voltage 1	V _{IL1}	-0.3	-	0.2 x V _{DDIO}	V	
Input Leak Current 1	I _{IL1}	-5	0	+5	μA	
Output "H" Voltage 1	V _{OH1}	0.85 x V _{DDIO}	-	-	V	IL = +1 mA
Output "L" Voltage 1	V _{OL1}	-	-	0.3	V	IL = -1 mA
Digital DC Characteristics (SDA0,SCL1)						
Output "L" Voltage 2	V _{OL3}	-	-	0.4	V	IL = -3 mA
SCL Frequency	f _{SCL}	0	-	400	kHz	
CC_PHY						
Pull-Down Resistor	R _{RD}	4.6	5.1	5.6	kΩ	

Electrical Characteristic - continued

Parameter	Symbol	Min	Typ	Max	Unit	Conditions
Voltage Measurement						
ADVREF Voltage	V_{ADC}	1.45	1.5	1.55	V	
VB/VS Voltage Measurement Range	VR_V	0	-	28	V	
External Input Voltage Measurement Range	VR_{IN}	0	-	1.5	V	
POWCNT						
Output Voltage between S1_DRV and S1_SRC or S2_DRV and S2_SRC	V_{OSW}	4.4	5.5	6.6	V	$Sx_SRC = 5.0\text{ V (x = 1 or 2)}$
Discharge Switch on Resistance	R_{DSC}	-	2.0	-	Ω	$DSCHG = 0.2\text{ V}$
OVP Detecting Voltage Accuracy	AC_{OVP}	-5	-	+5	%	OVP Detecting Voltage = 6.0 V

Timing Chart

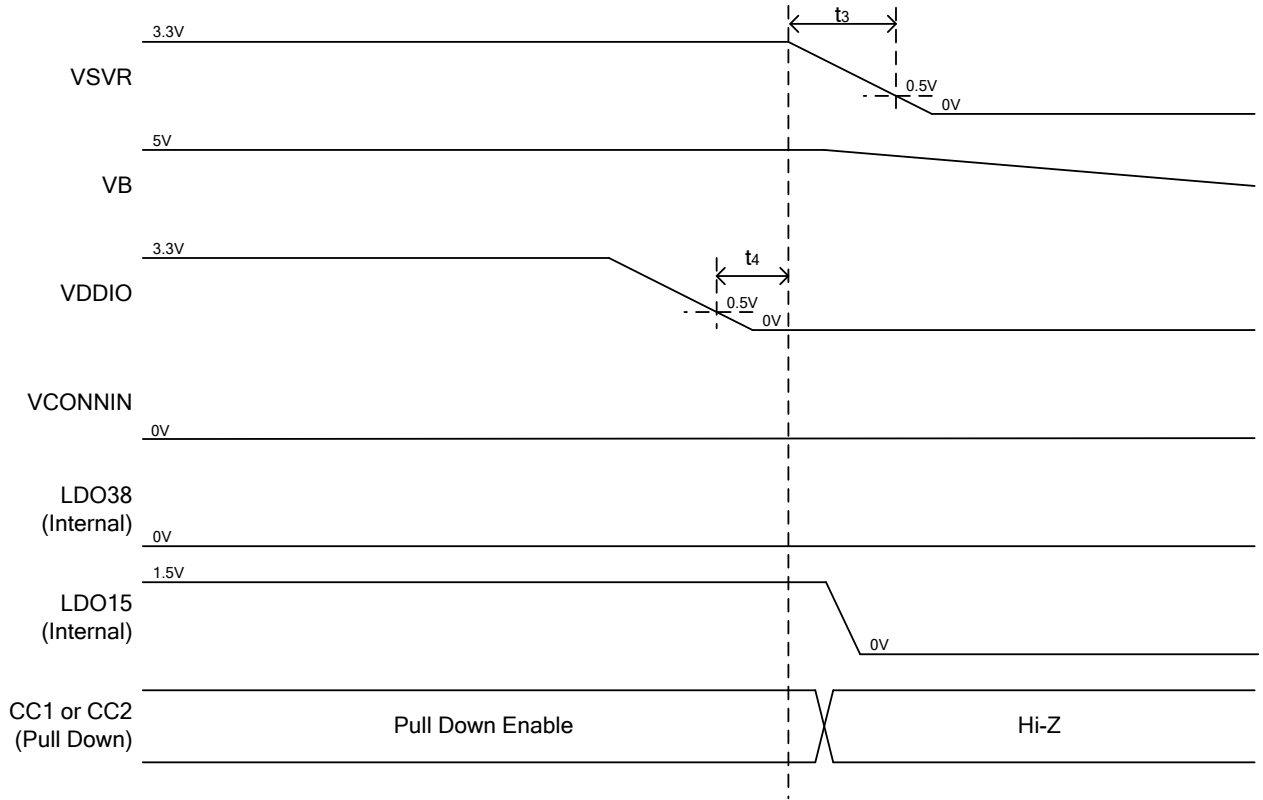
(Normal Wakeup)



Timing Characteristic (Ta = 25 °C)

Parameter	Symbol	Min	Typ	Max	Unit	Conditions
VDDIO Input Timing from VSVR Input	t_1	0	-	-	ms	
LSI Wakeup Time	t_2	-	-	100	ms	Not emergency operating. I2C (slave) is disable.

Timing Chart - Continued
(Normal Shutdown)



Timing Characteristic (Ta = 25 °C)

Parameter	Symbol	Min	Typ	Max	Unit	Conditions
VSVR Falling Time	t_3	-	-	400	ms	

As for the timing of t_4 , it is arbitrary. But LSI may not maintain action of USB Type-C PD when it is lost during LSI action.

I/O Equivalence Circuits

PIN No.	Pin Name	Equivalent Circuit Diagram
1	LDO38	
4 5	LDO15 ADCVREF	
7 11	XLCPOFF1 XCLPOFF2	
8 10	CC1 CC2	
12 13	CSN CSP	
14	ADCIN	

I/O Equivalence Circuits - Continued

Pin No.	Pin Name	Equivalent Circuit Diagram
15	IDSEL	
18 19 21 22 23 24 25 26 27 28 29 30	SDA0 SCL0 GPIO0 GPIO1 GPIO2 GPIO3 GPIO4 GPIO5 GPIO6 GPIO7 GPIO8 GPIO9	
32 34	S1_DRV S2_DRV	
33 35	S1_SRC S2_SRC	
31 36	VS DSCHG	
40	XRST	

Operational Notes

1. Reverse Connection of Power Supply

Connecting the power supply in reverse polarity can damage the IC. Take precautions against reverse polarity when connecting the power supply, such as mounting an external diode between the power supply and the IC's power supply pins.

2. Power Supply Lines

Design the PCB layout pattern to provide low impedance supply lines. Separate the ground and supply lines of the digital and analog blocks to prevent noise in the ground and supply lines of the digital block from affecting the analog block. Furthermore, connect a capacitor to ground at all power supply pins. Consider the effect of temperature and aging on the capacitance value when using electrolytic capacitors.

3. Ground Voltage

Ensure that no pins are at a voltage below that of the ground pin at any time, even during transient condition.

4. Ground Wiring Pattern

When using both small-signal and large-current ground traces, the two ground traces should be routed separately but connected to a single ground at the reference point of the application board to avoid fluctuations in the small-signal ground caused by large currents. Also ensure that the ground traces of external components do not cause variations on the ground voltage. The ground lines must be as short and thick as possible to reduce line impedance.

5. Recommended Operating Conditions

The function and operation of the IC are guaranteed within the range specified by the recommended operating conditions. The characteristic values are guaranteed only under the conditions of each item specified by the electrical characteristics.

6. Inrush Current

When power is first supplied to the IC, it is possible that the internal logic may be unstable and inrush current may flow instantaneously due to the internal powering sequence and delays, especially if the IC has more than one power supply. Therefore, give special consideration to power coupling capacitance, power wiring, width of ground wiring, and routing of connections.

7. Testing on Application Boards

When testing the IC on an application board, connecting a capacitor directly to a low-impedance output pin may subject the IC to stress. Always discharge capacitors completely after each process or step. The IC's power supply should always be turned off completely before connecting or removing it from the test setup during the inspection process. To prevent damage from static discharge, ground the IC during assembly and use similar precautions during transport and storage.

8. Inter-pin Short and Mounting Errors

Ensure that the direction and position are correct when mounting the IC on the PCB. Incorrect mounting may result in damaging the IC. Avoid nearby pins being shorted to each other especially to ground, power supply and output pin. Inter-pin shorts could be due to many reasons such as metal particles, water droplets (in very humid environment) and unintentional solder bridge deposited in between pins during assembly to name a few.

9. Unused Input Pins

Input pins of an IC are often connected to the gate of a MOS transistor. The gate has extremely high impedance and extremely low capacitance. If left unconnected, the electric field from the outside can easily charge it. The small charge acquired in this way is enough to produce a significant effect on the conduction through the transistor and cause unexpected operation of the IC. So unless otherwise specified, unused input pins should be connected to the power supply or ground line.

Operational Notes – continued

10. Regarding the Input Pin of the IC

This monolithic IC contains P+ isolation and P substrate layers between adjacent elements in order to keep them isolated. P-N junctions are formed at the intersection of the P layers with the N layers of other elements, creating a parasitic diode or transistor. For example (refer to figure below):

When $GND > Pin A$ and $GND > Pin B$, the P-N junction operates as a parasitic diode.

When $GND > Pin B$, the P-N junction operates as a parasitic transistor.

Parasitic diodes inevitably occur in the structure of the IC. The operation of parasitic diodes can result in mutual interference among circuits, operational faults, or physical damage. Therefore, conditions that cause these diodes to operate, such as applying a voltage lower than the GND voltage to an input pin (and thus to the P substrate) should be avoided.

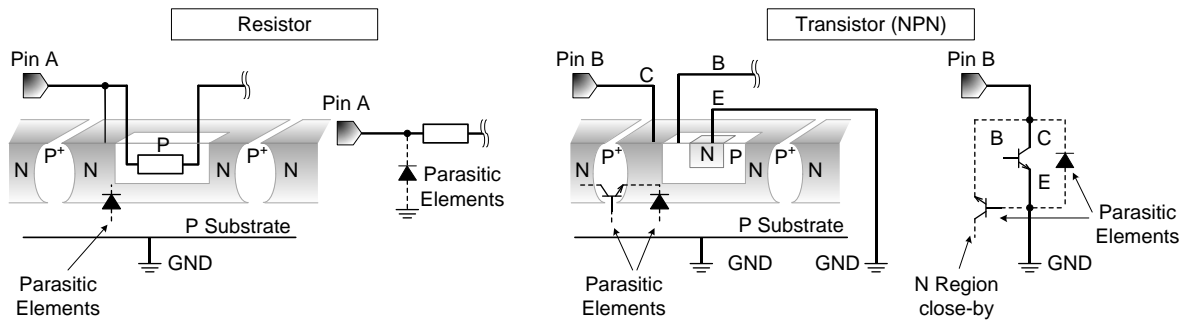


Figure 1. Example of Monolithic IC Structure

11. Ceramic Capacitor

When using a ceramic capacitor, determine a capacitance value considering the change of capacitance with temperature and the decrease in nominal capacitance due to DC bias and others.

12. Thermal Shutdown Circuit (TSD)

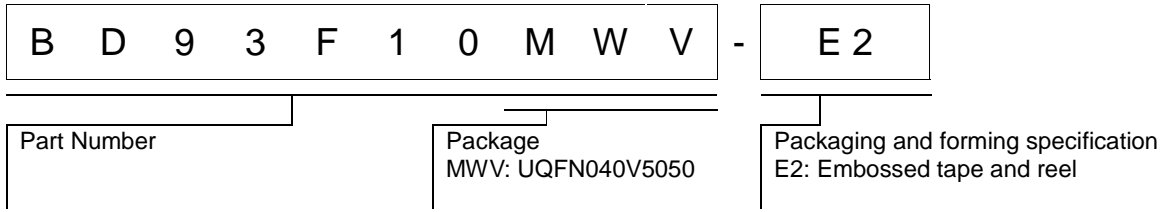
This IC has a built-in thermal shutdown circuit that prevents heat damage to the IC. Normal operation should always be within the IC's maximum junction temperature rating. If however the rating is exceeded for a continued period, the junction temperature (T_j) will rise which will activate the TSD circuit that will turn OFF power output pins. When the T_j falls below the TSD threshold, the circuits are automatically restored to normal operation.

Note that the TSD circuit operates in a situation that exceeds the absolute maximum ratings and therefore, under no circumstances, should the TSD circuit be used in a set design or for any purpose other than protecting the IC from heat damage.

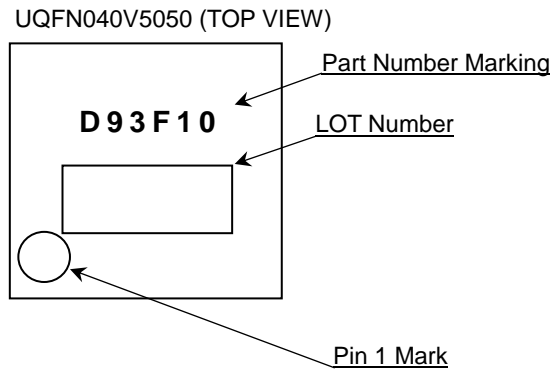
13. Over Current Protection Circuit (OCP)

This IC incorporates an integrated overcurrent protection circuit that is activated when the load is shorted. This protection circuit is effective in preventing damage due to sudden and unexpected incidents. However, the IC should not be used in applications characterized by continuous operation or transitioning of the protection circuit.

Ordering Information

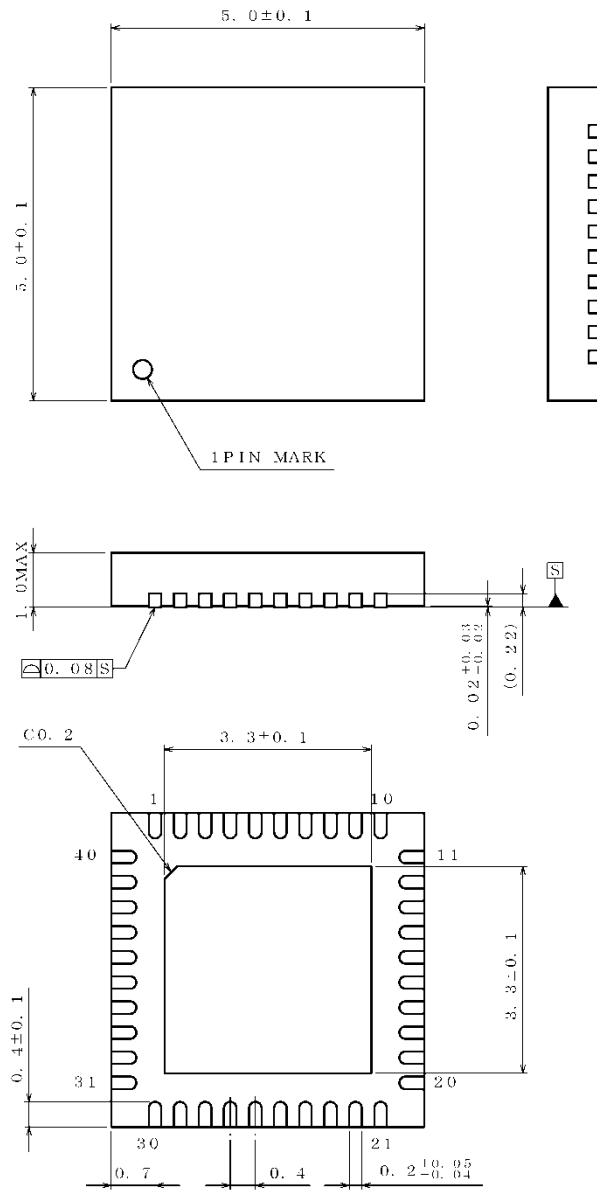


Marking Diagram



Physical Dimension and Packing Information

Package Name	UQFN040V5050
--------------	--------------

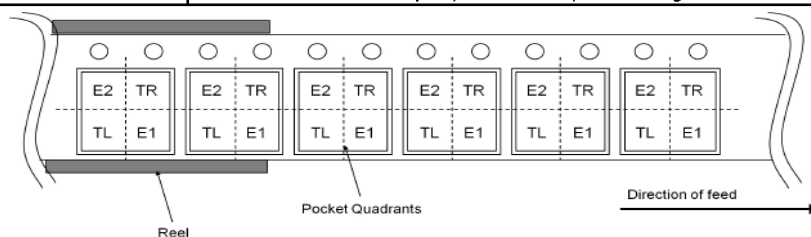


(UNIT : mm)

PKG : UQFN040V5050
Drawing No. EX484 5001 2

< Tape and Reel Information >

Tape	Embossed carrier tape
Quantity	2500pcs
Direction of feed	E2 The direction is the pin 1 of product is at the upper left when you hold reel on the left hand and you pull out the tape on the right hand



Revision History

Date	Revision	Changes
02, Apr.2020	001	New Release

Notice

Precaution on using ROHM Products

- Our Products are designed and manufactured for application in ordinary electronic equipment (such as AV equipment, OA equipment, telecommunication equipment, home electronic appliances, amusement equipment, etc.). If you intend to use our Products in devices requiring extremely high reliability (such as medical equipment ^(Note 1), transport equipment, traffic equipment, aircraft/spacecraft, nuclear power controllers, fuel controllers, car equipment including car accessories, safety devices, etc.) and whose malfunction or failure may cause loss of human life, bodily injury or serious damage to property ("Specific Applications"), please consult with the ROHM sales representative in advance. Unless otherwise agreed in writing by ROHM in advance, ROHM shall not be in any way responsible or liable for any damages, expenses or losses incurred by you or third parties arising from the use of any ROHM's Products for Specific Applications.

(Note1) Medical Equipment Classification of the Specific Applications

JAPAN	USA	EU	CHINA
CLASS III	CLASS III	CLASS II b	CLASS III
CLASS IV		CLASS III	

- ROHM designs and manufactures its Products subject to strict quality control system. However, semiconductor products can fail or malfunction at a certain rate. Please be sure to implement, at your own responsibilities, adequate safety measures including but not limited to fail-safe design against the physical injury, damage to any property, which a failure or malfunction of our Products may cause. The following are examples of safety measures:
 - Installation of protection circuits or other protective devices to improve system safety
 - Installation of redundant circuits to reduce the impact of single or multiple circuit failure
- Our Products are designed and manufactured for use under standard conditions and not under any special or extraordinary environments or conditions, as exemplified below. Accordingly, ROHM shall not be in any way responsible or liable for any damages, expenses or losses arising from the use of any ROHM's Products under any special or extraordinary environments or conditions. If you intend to use our Products under any special or extraordinary environments or conditions (as exemplified below), your independent verification and confirmation of product performance, reliability, etc. prior to use, must be necessary:
 - Use of our Products in any types of liquid, including water, oils, chemicals, and organic solvents
 - Use of our Products outdoors or in places where the Products are exposed to direct sunlight or dust
 - Use of our Products in places where the Products are exposed to sea wind or corrosive gases, including Cl₂, H₂S, NH₃, SO₂, and NO₂
 - Use of our Products in places where the Products are exposed to static electricity or electromagnetic waves
 - Use of our Products in proximity to heat-producing components, plastic cords, or other flammable items
 - Sealing or coating our Products with resin or other coating materials
 - Use of our Products without cleaning residue of flux (Exclude cases where no-clean type fluxes is used. However, recommend sufficiently about the residue.) ; or Washing our Products by using water or water-soluble cleaning agents for cleaning residue after soldering
 - Use of the Products in places subject to dew condensation
- The Products are not subject to radiation-proof design.
- Please verify and confirm characteristics of the final or mounted products in using the Products.
- In particular, if a transient load (a large amount of load applied in a short period of time, such as pulse, is applied, confirmation of performance characteristics after on-board mounting is strongly recommended. Avoid applying power exceeding normal rated power; exceeding the power rating under steady-state loading condition may negatively affect product performance and reliability.
- De-rate Power Dissipation depending on ambient temperature. When used in sealed area, confirm that it is the use in the range that does not exceed the maximum junction temperature.
- Confirm that operation temperature is within the specified range described in the product specification.
- ROHM shall not be in any way responsible or liable for failure induced under deviant condition from what is defined in this document.

Precaution for Mounting / Circuit board design

- When a highly active halogenous (chlorine, bromine, etc.) flux is used, the residue of flux may negatively affect product performance and reliability.
- In principle, the reflow soldering method must be used on a surface-mount products, the flow soldering method must be used on a through hole mount products. If the flow soldering method is preferred on a surface-mount products, please consult with the ROHM representative in advance.

For details, please refer to ROHM Mounting specification

Precautions Regarding Application Examples and External Circuits

1. If change is made to the constant of an external circuit, please allow a sufficient margin considering variations of the characteristics of the Products and external components, including transient characteristics, as well as static characteristics.
2. You agree that application notes, reference designs, and associated data and information contained in this document are presented only as guidance for Products use. Therefore, in case you use such information, you are solely responsible for it and you must exercise your own independent verification and judgment in the use of such information contained in this document. ROHM shall not be in any way responsible or liable for any damages, expenses or losses incurred by you or third parties arising from the use of such information.

Precaution for Electrostatic

This Product is electrostatic sensitive product, which may be damaged due to electrostatic discharge. Please take proper caution in your manufacturing process and storage so that voltage exceeding the Products maximum rating will not be applied to Products. Please take special care under dry condition (e.g. Grounding of human body / equipment / solder iron, isolation from charged objects, setting of Ionizer, friction prevention and temperature / humidity control).

Precaution for Storage / Transportation

1. Product performance and soldered connections may deteriorate if the Products are stored in the places where:
 - [a] the Products are exposed to sea winds or corrosive gases, including Cl₂, H₂S, NH₃, SO₂, and NO₂
 - [b] the temperature or humidity exceeds those recommended by ROHM
 - [c] the Products are exposed to direct sunshine or condensation
 - [d] the Products are exposed to high Electrostatic
2. Even under ROHM recommended storage condition, solderability of products out of recommended storage time period may be degraded. It is strongly recommended to confirm solderability before using Products of which storage time is exceeding the recommended storage time period.
3. Store / transport cartons in the correct direction, which is indicated on a carton with a symbol. Otherwise bent leads may occur due to excessive stress applied when dropping of a carton.
4. Use Products within the specified time after opening a humidity barrier bag. Baking is required before using Products of which storage time is exceeding the recommended storage time period.

Precaution for Product Label

A two-dimensional barcode printed on ROHM Products label is for ROHM's internal use only.

Precaution for Disposition

When disposing Products please dispose them properly using an authorized industry waste company.

Precaution for Foreign Exchange and Foreign Trade act

Since concerned goods might be fallen under listed items of export control prescribed by Foreign exchange and Foreign trade act, please consult with ROHM in case of export.

Precaution Regarding Intellectual Property Rights

1. All information and data including but not limited to application example contained in this document is for reference only. ROHM does not warrant that foregoing information or data will not infringe any intellectual property rights or any other rights of any third party regarding such information or data.
2. ROHM shall not have any obligations where the claims, actions or demands arising from the combination of the Products with other articles such as components, circuits, systems or external equipment (including software).
3. No license, expressly or implied, is granted hereby under any intellectual property rights or other rights of ROHM or any third parties with respect to the Products or the information contained in this document. Provided, however, that ROHM will not assert its intellectual property rights or other rights against you or your customers to the extent necessary to manufacture or sell products containing the Products, subject to the terms and conditions herein.

Other Precaution

1. This document may not be reprinted or reproduced, in whole or in part, without prior written consent of ROHM.
2. The Products may not be disassembled, converted, modified, reproduced or otherwise changed without prior written consent of ROHM.
3. In no event shall you use in any way whatsoever the Products and the related technical information contained in the Products or this document for any military purposes, including but not limited to, the development of mass-destruction weapons.
4. The proper names of companies or products described in this document are trademarks or registered trademarks of ROHM, its affiliated companies or third parties.

General Precaution

1. Before you use our Products, you are requested to carefully read this document and fully understand its contents. ROHM shall not be in any way responsible or liable for failure, malfunction or accident arising from the use of any ROHM's Products against warning, caution or note contained in this document.
2. All information contained in this document is current as of the issuing date and subject to change without any prior notice. Before purchasing or using ROHM's Products, please confirm the latest information with a ROHM sales representative.
3. The information contained in this document is provided on an "as is" basis and ROHM does not warrant that all information contained in this document is accurate and/or error-free. ROHM shall not be in any way responsible or liable for any damages, expenses or losses incurred by you or third parties resulting from inaccuracy or errors of or concerning such information.