

617-960 MHz / 1710-2700 MHz / 3300-4200 MHz / 4900-6000 MHz Low PIM
Rated X-pol 5.5 dBi Panel Antenna, Wall Mount, 2x4.3-10 Female Connector



HG65807XPPR-4310F

Features

- Low Passive Intermodulation (PIM) <-153 dBc @ 2x20W
- +/- 45 Slant Polarization
- Low return loss, stable performance
- 2 x 4.3-10 Female connector for long lasting consistent results
- Covers all sub 6 GHz 5G frequency bands including 600 MHz and extended CBRS

Applications

- Indoor distribution of 5G, LTE, GSM/CDMA
- In-building public or private networks
- LPWAN, LoRA, LTE-M, NB-IoT, IoT, M2M applications
- MIMO DAS (Distributed Antenna Systems)
- Wall Mounts

Description

The L-com HG65807XPPR-4310F is a low PIM rated, high performance wall mount MIMO panel antenna specifically designed for in-building wireless networks such as DAS (Distributed Antenna Systems). L-com's HG65807XPPR-4310F has 5.5 to 7 dBi gain and can be used to distribute Cellular and WiFi signals throughout a building or area. The HG65807XPPR-4310F operates from 617 to 6000 MHz which is ideal for 5G, LTE, CDMA, LPWAN/IoT/M2M applications including LoRA, LTE-M, and NB-IOT. The Multi-Band design of the L-com HG65807XPPR-4310F antenna eliminates the need to purchase different antennas for each frequency. This simplifies installations since the same antenna can be used for a wide array of in-building wireless applications where wide coverage is desired.

The HG65807XPPR-4310F from L-com has directional 60 degree patterns with +/-45 slant polarization and features 4.3-10 connectors. The key to providing the best performance in telecommunications is to ensure the components used are low PIM rated. This helps meet the increasing demand for higher data rates and the ability to provide streaming video for mobile devices. With a low PIM rating of <-150 dBc, the 617-6000 MHz HG65807XPPR-4310F helps meet the most demanding PIM requirements for 5G and LTE/4G bands.

The 4.3-10 connectorized HG65807XPPR-4310F antenna from L-com is designed specifically for in-building operation and is ideal for use in large open areas such as indoor courtyards, indoor sporting venues, convention centers and shopping malls. The included mounting bracket and hardware makes this antenna very easy to install. This 5G Cellular antenna just like our wide selection of superior quality RF parts, ship same day. Contact our knowledgeable and friendly technical support and sales staff for your answers on antennas or other L-com products.

Configuration

Design	Panel
Band Type	Wide
Radiation Pattern	Omni Directional
Polarization	±45 Deg. Slant
Connector Type	4.3-10 Female
Interface 2	4.3-10 Female
Number of Ports	2

Electrical Specifications

Description	Minimum	Typical	Maximum	Units
Frequency Range	617		6000	MHz
Input VSWR			2:1	

Click the following link (or enter part number in "SEARCH" on website) to obtain additional part information including price, inventory and certifications:
[617-960 MHz / 1710-2700 MHz / 3300-4200 MHz / 4900-6000 MHz Low PIM Rated X-pol 5.5 dBi Panel Antenna, Wall Mount, 2x4.3-10 Female Connector](#)

617-960 MHz / 1710-2700 MHz / 3300-4200 MHz / 4900-6000 MHz Low PIM
Rated X-pol 5.5 dBi Panel Antenna, Wall Mount, 2x4.3-10 Female Connector



HG65807XPPR-4310F

Gain	5.5		dBi
Gain		7	dBi
Input Power		50	Watts
Passive Intermodulation 3rd Order, 2 x 20 W	-153		

Specifications by Band

Description	Band 1	Band 2	Band 3	Band 4	Band 5	Units
Range	0.617 to 0.698	0.698 to 0.96	1.71 to 2.7	3.3 to 4.2	4.9 to 6	GHz
Gain	5.5	6	7	6	6.5	dBi
Horizontal HPBW	80	70	68	55	50	Degrees
Vertical HPBW	70	70	68	50	50	Degrees
Port to Port Isolation	20	20	20	28	30	dB

Mechanical Specifications

Radome Material	ABS
Size	
Length	12.2 in [309.88 mm]
Width	16.54 in [420.12 mm]
Height	3.94 in [100.08 mm]
Weight	2.2 lbs [997.9 g]

Environmental Specifications

Temperature	
Operating Range	-55 to +60 deg C
Humidity	< 95

Compliance Certifications (see [product page](#) for current document)

Plotted and Other Data

Notes:

617-960 MHz / 1710-2700 MHz / 3300-4200 MHz / 4900-6000 MHz Low PIM Rated X-pol 5.5 dBi Panel Antenna, Wall Mount, 2x4.3-10 Female Connector from L-com has same day shipment for domestic and International orders. Our portfolio includes coaxial cable assemblies, connectors, adapters and custom products as well as lightning and surge protectors, NEMA rated enclosures, and an RF

617-960 MHz / 1710-2700 MHz / 3300-4200 MHz / 4900-6000 MHz Low PIM
Rated X-pol 5.5 dBi Panel Antenna, Wall Mount, 2x4.3-10 Female Connector

HG65807XPPR-4310F

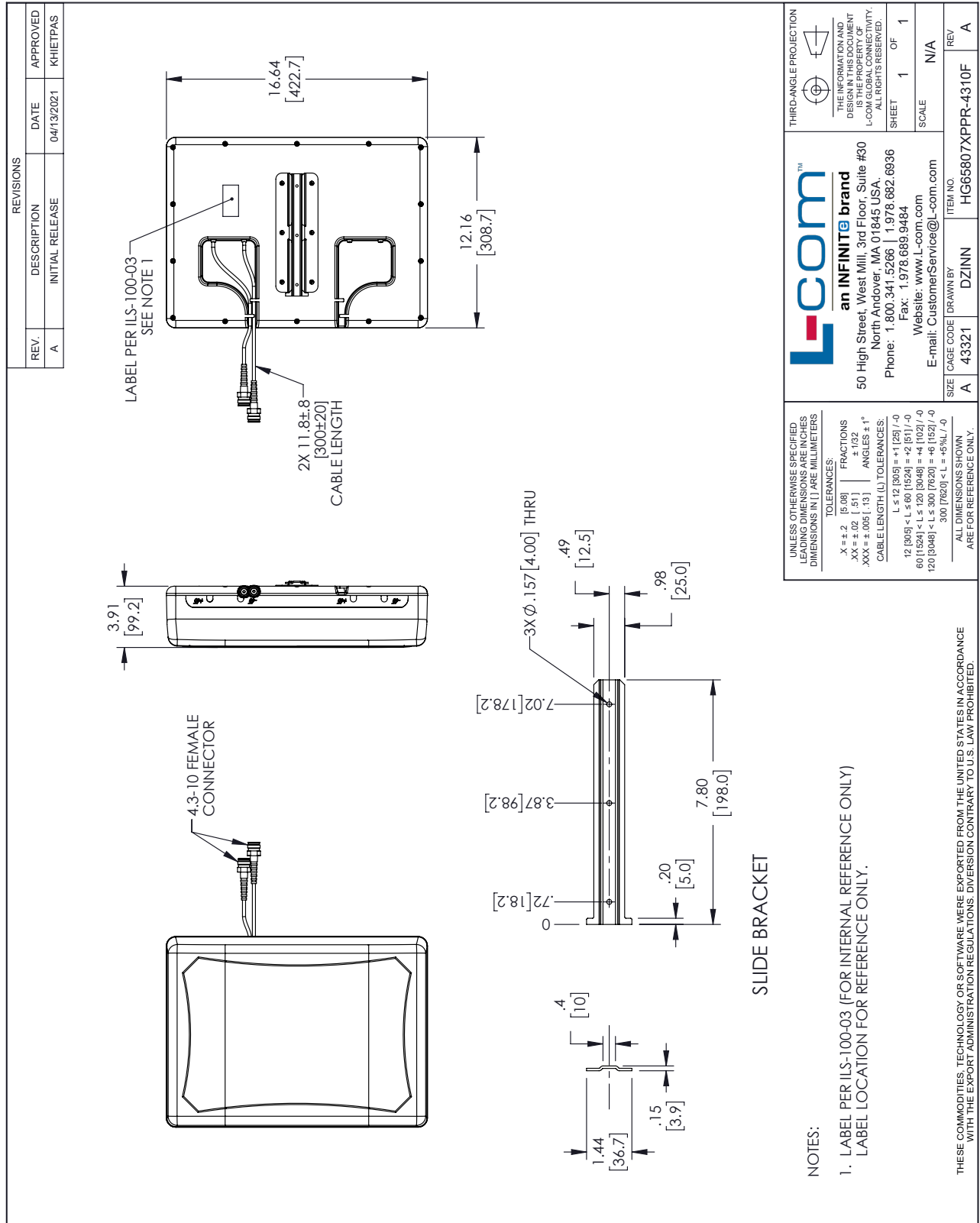


product line which includes antennas, amplifiers, passive, and active components.

The information contained within this document is accurate to the best of our knowledge and representative of the part described herein. It may be necessary to make modifications to the part and/or the documentation of the part in order to impliment improvements. L-com reserves the right to make such changes as required. Unless otherwise stated, all specifications are nominal. L-com does not make any representation or warranty regarding the suitability of the part described herein for any particular purpose, and L-com does not assume liability arising out of the use of any part or document.

617-960 MHz / 1710-2700 MHz / 3300-4200 MHz / 4900-6000 MHz Low PIM Rated
 X-pol 5.5 dBi Panel Antenna, Wall Mount, 2x4.3-10 Female Connector

L-com CAD Drawing



L-com™
 an INFINITE brand
 50 High Street, West Mill, 3rd Floor, Suite #30
 North Andover, MA 01845 USA
 Phone: 1.800.341.5266 | 1.978.682.6936
 Fax: 1.978.689.9484
 Website: www.L-com.com
 E-mail: CustomerService@L-com.com

THIRD-ANGLE PROJECTION

THE INFORMATION AND DIMENSIONS SHOWN ARE THE PROPERTY OF L-COM GLOBAL CONNECTIVITY. ALL RIGHTS RESERVED.

SHEET 1 OF 1

SCALE N/A

UNLESS OTHERWISE SPECIFIED LEADING DIMENSIONS ARE IN INCHES DIMENSIONS IN [] ARE MILLIMETERS

TOLERANCES:
 .X = ±.2 [5.08] FRACTIONS ±.132
 .XX = ±.02 [1.51] ±.132
 .XXX = ±.005 [1.3] ANGLES ±1°

CABLE LENGTH (L) TOLERANCES:
 L ≤ 12 [305] = +1 [25] / -0
 12 [305] < L ≤ 60 [1524] = +2 [51] / -0
 60 [1524] < L ≤ 120 [3048] = +4 [102] / -0
 120 [3048] < L ≤ 300 [7620] = +6 [152] / -0
 300 [7620] < L = +5%L / -0

ALL DIMENSIONS SHOWN ARE FOR REFERENCE ONLY.

SIZE A 43321

DRAWN BY DZINN

ITEM NO. HG65807XPPR-4310F

REV A