

# LOW PROFILE BENDING BEAM LOAD CELLS

## LCDA Series 0-25 lb to 0-500 lb Capacity

LCDA Series

All Models



- ✓ Provides Maximum Protection Against Adverse Loads
- ✓ Sealed for Washdown Areas
- ✓ 0.25% Interchangeability
- ✓ Calibration Certificate Provided
- ✓ Exact Full Scale Output Stated for Easy Setup

The model LCDA is a versatile bending beam load cell for tension and compression loading. Compact and low in profile, the LCDA is ruggedly constructed of high-quality alloy steel to provide maximum durability in industrial applications. Each unit is nickel plated for corrosion resistance and sealed to resist moisture.

### SPECIFICATIONS

**Rated Output:** 3 mV/V  $\pm$ 0.0075 mV/V (actual output supplied with each load cell)

**Excitation:** 10 Vdc (15 Vdc maximum)

**Calibration:** In compression

**Full Scale Linearity:** 0.03% FS

**Hysteresis:** 0.02% FS

**Repeatability:** 0.01% FS

**Zero Balance:** 1% FS

**Creep in 20 min:** 0.03% FS

**Operating Temperature:** 0 to 150°F (-18 to 66°C)

**Compensated Temperature:** 0 to 150°F (-18 to 66°C)

**Thermal Effects:**

**Zero:** 0.0015% FS/°F

**Span:** 0.0008% RDG/°F

**Maximum Load:** 150% FS

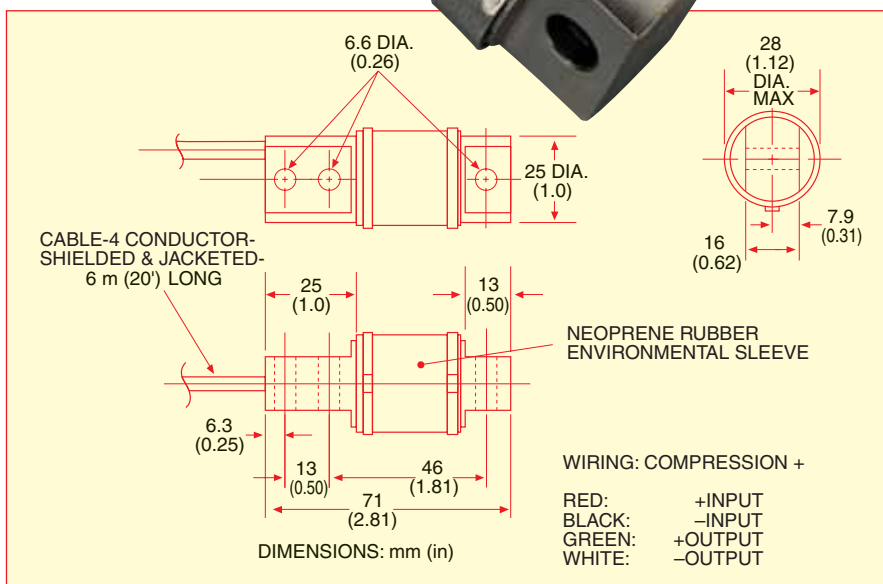
**Bridge Resistance:** 350  $\Omega$  nominal

**Construction:** Nickel-plated steel, neoprene boot with SS clamps

**Cable:** 6 m (20') 4-conductor shielded 22-gage wire



LCDA-75, shown larger than actual size.



**MOST POPULAR MODELS HIGHLIGHTED!**

### To Order (Specify Model Number)

MODEL NO.	RATED CAPACITY	DEFL.	COMPATIBLE METERS*
LCDA-25	25 lb	0.008	DP3002-S, DP87, DP41-S, DP25-S
LCDA-50	50 lb	0.008	DP3002-S, DP87, DP41-S, DP25-S
LCDA-75	75 lb	0.010	DP3002-S, DP87, DP41-S, DP25-S
LCDA-100	100 lb	0.010	DP3002-S, DP87, DP41-S, DP25-S
LCDA-150	150 lb	0.012	DP3002-S, DP87, DP41-S, DP25-S
LCDA-250	250 lb	0.016	DP3002-S, DP87, DP41-S, DP25-S
LCDA-500	500 lb	0.023	DP3002-S, DP87, DP41-S, DP25-S

\* See section D for compatible meters.

**Ordering Example:** LCDA-100, low-profile bending beam load cell with a capacity of 100 lb.

### ACCESSORY

MODEL NO.	DESCRIPTION
GE-2473	Reference Book: Foundations of Food Preparation



#### UNITED STATES

[www.omega.com](http://www.omega.com)  
1-800-TC-OMEGA  
Stamford, CT.

#### CANADA

[www.omega.ca](http://www.omega.ca)  
Laval(Quebec)  
1-800-TC-OMEGA

#### GERMANY

[www.omega.de](http://www.omega.de)  
Deckenpfronn, Germany  
0800-8266342

#### UNITED KINGDOM

[www.omega.co.uk](http://www.omega.co.uk)  
Manchester, England  
0800-488-488

#### FRANCE

[www.omega.fr](http://www.omega.fr)  
Guyancourt, France  
088-466-342

#### CZECH REPUBLIC

[www.omegaeng.cz](http://www.omegaeng.cz)  
Karviná, Czech Republic  
596-311-899

#### BENELUX

[www.omega.nl](http://www.omega.nl)  
Amstelveen, NL  
0800-099-33-44



## More than 100,000 Products Available!

### • Temperature

Calibrators, Connectors, General Test and Measurement Instruments, Glass Bulb Thermometers, Handheld Instruments for Temperature Measurement, Ice Point References, Indicating Labels, Crayons, Cements and Lacquers, Infrared Temperature Measurement Instruments, Recorders Relative Humidity Measurement Instruments, RTD Probes, Elements and Assemblies, Temperature & Process Meters, Timers and Counters, Temperature and Process Controllers and Power Switching Devices, Thermistor Elements, Probes and Assemblies, Thermocouples Thermowells and Head and Well Assemblies, Transmitters, Wire

### • Flow and Level

Air Velocity Indicators, Doppler Flowmeters, Level Measurement, Magnetic Flowmeters, Mass Flowmeters, Pitot Tubes, Pumps, Rotameters, Turbine and Paddle Wheel Flowmeters, Ultrasonic Flowmeters, Valves, Variable Area Flowmeters, Vortex Shedding Flowmeters

### • pH and Conductivity

Conductivity Instrumentation, Dissolved Oxygen Instrumentation, Environmental Instrumentation, pH Electrodes and Instruments, Water and Soil Analysis Instrumentation

### • Data Acquisition

Auto-Dialers and Alarm Monitoring Systems, Communication Products and Converters, Data Acquisition and Analysis Software, Data Loggers Plug-in Cards, Signal Conditioners, USB, RS232, RS485 and Parallel Port Data Acquisition Systems, Wireless Transmitters and Receivers

### • Pressure, Strain and Force

Displacement Transducers, Dynamic Measurement Force Sensors, Instrumentation for Pressure and Strain Measurements, Load Cells, Pressure Gauges, Pressure Reference Section, Pressure Switches, Pressure Transducers, Proximity Transducers, Regulators, Strain Gages, Torque Transducers, Valves

### • Heaters

Band Heaters, Cartridge Heaters, Circulation Heaters, Comfort Heaters, Controllers, Meters and Switching Devices, Flexible Heaters, General Test and Measurement Instruments, Heater Hook-up Wire, Heating Cable Systems, Immersion Heaters, Process Air and Duct, Heaters, Radiant Heaters, Strip Heaters, Tubular Heaters