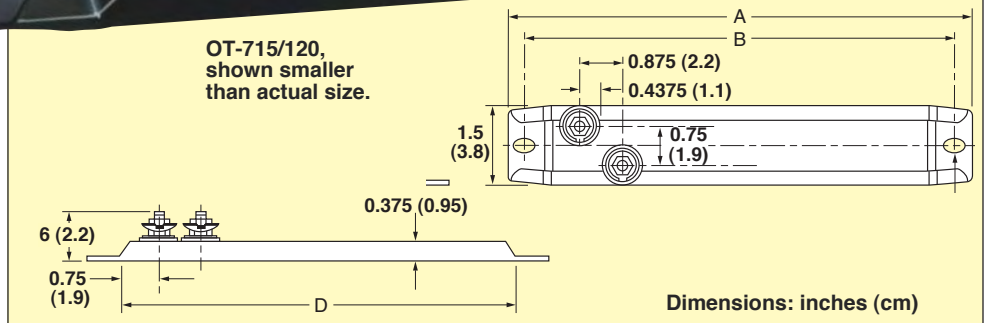
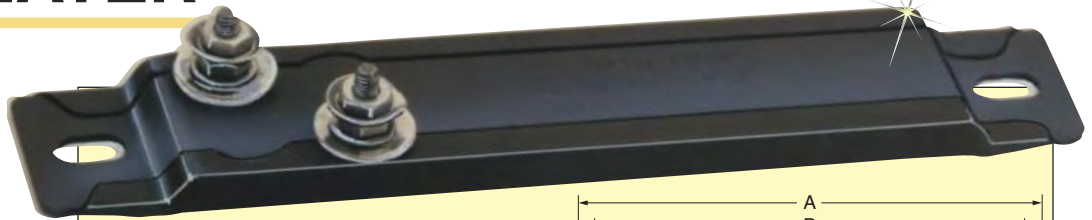


## STRIP HEATER

OT Series Starts at



- ✓ 1½" (3.8 cm) Wide
- ✓ 2 Offset Bolt Terminals at One End
- ✓ Rugged, Reliable, Premium Quality
- ✓ UL Component Recognized and CSA Certified

**MOST POPULAR MODELS HIGHLIGHTED!**

To Order (Specify Model Number)		Rust-Resisting Iron Sheath				Chrome Steel Sheath					
Dimensions: In (cm)		Watts		W/in <sup>2</sup>		Watts		W/in <sup>2</sup>		Model No.	Wt. lb (kg)
A	B	D									
7½ (19)	6½ (17)	6 (15)	150	11	OT-715/*	200	15	OT-702/*			0.5 (.2)
8 (20)	7 (18)	6½ (17)	150	10	OT-815/*	250	17	OT-802/*			0.56 (.25)
8 (20)	7 (18)	6½ (17)	175	12	OT-817/*	400	27	OT-804/*			0.56 (.25)
10½ (27)	9½ (24)	9 (23)	250	10	OT-1025/*	350	15	OT-1003/*			0.75 (.34)
10½ (27)	9½ (24)	9 (23)	—	—	—	400	17	OT-1004/*			0.88 (.40)
12 (30)	11 (28)	10½ (27)	250	8	OT-1225/*	250	8	OT-1202/*			0.88 (.40)
12 (30)	11 (28)	10½ (27)	—	—	—	350	14	OT-1203/*			0.88 (.40)
12 (30)	11 (28)	10½ (27)	—	—	—	500	17	OT-1205/*			0.88 (.40)
14 (36)	13 (33)	12½ (32)	300	8	OT-1430/*	500	14	OT-1405/*			1.0 (.45)
15½ (39)	14¼ (36)	13¼ (35)	325	8	OT-1532/*	500	12	OT-1505/*			1.13 (.51)
17½ (45)	16¾ (43)	16¾ (42)	350	6.5	OT-1835/*	500	10	OT-1805/*			1.38 (.63)
17½ (45)	16¾ (43)	16¾ (42)	375	7	OT-1837/*	750	15	OT-1807/*			1.38 (.63)
17½ (45)	16¾ (43)	16¾ (42)	500	10	OT-1850/*	1000	19	OT-1801/*			1.38 (.63)
19½ (50)	18½ (47)	18 (46)	350	6	OT-1935/*	500	9	OT-1905/*			1.5 (.68)
19½ (50)	18½ (47)	18 (46)	500	8	OT-1950/*	750	13.5	OT-1907/*			1.5 (.68)
19½ (50)	18½ (47)	18 (46)	—	—	—	1000	18	OT-1901/*			1.5 (.68)
21 (53)	20 (51)	19½ (50)	500	8	OT-2150/*	750	12	OT-2107/*			1.63 (.74)
23¼ (60)	22¼ (58)	22¼ (57)	500	7	OT-2450/*	500	7	OT-2405/*			1.81 (.82)
23¼ (60)	22¼ (58)	22¼ (57)	750	10	OT-2475/*	750	10	OT-2407/*			1.81 (.82)
23¼ (60)	22¼ (58)	22¼ (57)	—	—	—	1000	14	OT-2401/*			1.81 (.82)
23¼ (60)	22¼ (58)	22¼ (57)	—	—	—	1500	19	OT-2415/*			1.81 (.82)
25½ (65)	24½ (62)	24 (61)	500	6	OT-2550/*	750	9	OT-2507/*			2.06 (.93)
25½ (65)	24½ (62)	24 (61)	750	9	OT-2575/*	1000	13	OT-2501/*			2.0 (.91)
26¾ (68)	25¾ (65)	25¼ (64)	700	8	OT-2670/*	1000	12	OT-2601/*			2.19 (.99)
26¾ (68)	25¾ (65)	25¼ (64)	750	9	OT-2675/*	—	—				
30½ (77)	29¾ (75)	28 (71)	750	8	OT-3075/*	750	8	OT-3007/*			2.38 (1.1)
30½ (77)	29¾ (75)	28 (71)	—	—	—	1000	11	OT-3001/*			2.38 (1.1)
30½ (77)	29¾ (75)	28 (71)	—	—	—	1250	13	OT-3012/240			2.38 (1.1)
33½ (85)	32¾ (82)	31 (79)	750	7	OT-3375/*	750	7	OT-3307/*			2.69 (1.2)
35¾ (91)	34¾ (88)	33¾ (85)	1000	9	OT-3610/*	1500	13	OT-3601/*			2.88 (1.3)
38½ (98)	37¾ (95)	36 (92)	800	6	OT-3880/*	1000	8	OT-3801/*			3.19 (1.4)
38½ (98)	37¾ (95)	36 (92)	1000	8	OT-3810/*	1500	12	OT-3815/*			3.19 (1.4)
42½ (108)	41¾ (105)	40 (102)	1250	9	OT-4312/*	1500	11	OT-4315/*			3.38 (1.5)
47¾ (122)	46¾ (119)	45¾ (115)	—	—	—	1350	9	OT-4813/240			3.75 (1.7)
47¾ (122)	46¾ (119)	45¾ (115)	—	—	—	2250	14	OT-4822/240			3.75 (1.7)

OMEGALUX® strip heaters are used principally for convection-type air heating and clamp-on installations. When selecting strip heaters for either, two important factors must be considered:

1. The proper sheath material for resisting any rusting and oxidizing inherent in the process or environment and for withstanding the sheath temperature required.
2. The watt density of the element, or watts per square inch of heated area. This should be low for heating asphalt, molasses and other thick substances with low heat transferability; it can be higher for heating air, metals and other heat-conducting materials.

### SPECIFICATIONS

**Max Sheath Temperature:** Iron: 399°C (750°F)

Chrome Steel: 649°C (1200°F)

**Sheath Material:** Iron or chrome steel

**Wattage Power:** Iron sheath, 150 to 1250 watts; Chrome steel sheath, 200 to 2250 watts

**Power Voltage:** 120 or 240 Vac

\* Designate voltage, i.e., 120 or 240 Vac. Insert "120" for 120 Vac, "240" for 240 Vac. Model numbers containing /240 are only available in that voltage. Additional strip heater models available with other widths and bolt configurations.

† To determine maximum allowable watt density, see figures C-8 or C-9 (page 80).

**Ordering Examples:** OT-815/120, strip heater with rust resisting iron sheath, 150 W, OT-4312/240, strip heater with rust resisting iron sheath, 1250 W,



#### UNITED STATES

[www.omega.com](http://www.omega.com)  
1-800-TC-OMEGA  
Stamford, CT.

#### CANADA

[www.omega.ca](http://www.omega.ca)  
Laval(Quebec)  
1-800-TC-OMEGA

#### GERMANY

[www.omega.de](http://www.omega.de)  
Deckenpfronn, Germany  
0800-8266342

#### UNITED KINGDOM

[www.omega.co.uk](http://www.omega.co.uk)  
Manchester, England  
0800-488-488

#### FRANCE

[www.omega.fr](http://www.omega.fr)  
Guyancourt, France  
088-466-342

#### CZECH REPUBLIC

[www.omegaeng.cz](http://www.omegaeng.cz)  
Karviná, Czech Republic  
596-311-899

#### BENELUX

[www.omega.nl](http://www.omega.nl)  
Amstelveen, NL  
0800-099-33-44



## More than 100,000 Products Available!

### • Temperature

Calibrators, Connectors, General Test and Measurement Instruments, Glass Bulb Thermometers, Handheld Instruments for Temperature Measurement, Ice Point References, Indicating Labels, Crayons, Cements and Lacquers, Infrared Temperature Measurement Instruments, Recorders Relative Humidity Measurement Instruments, RTD Probes, Elements and Assemblies, Temperature & Process Meters, Timers and Counters, Temperature and Process Controllers and Power Switching Devices, Thermistor Elements, Probes and Assemblies, Thermocouples Thermowells and Head and Well Assemblies, Transmitters, Wire

### • Flow and Level

Air Velocity Indicators, Doppler Flowmeters, Level Measurement, Magnetic Flowmeters, Mass Flowmeters, Pitot Tubes, Pumps, Rotameters, Turbine and Paddle Wheel Flowmeters, Ultrasonic Flowmeters, Valves, Variable Area Flowmeters, Vortex Shedding Flowmeters

### • pH and Conductivity

Conductivity Instrumentation, Dissolved Oxygen Instrumentation, Environmental Instrumentation, pH Electrodes and Instruments, Water and Soil Analysis Instrumentation

### • Data Acquisition

Auto-Dialers and Alarm Monitoring Systems, Communication Products and Converters, Data Acquisition and Analysis Software, Data Loggers Plug-in Cards, Signal Conditioners, USB, RS232, RS485 and Parallel Port Data Acquisition Systems, Wireless Transmitters and Receivers

### • Pressure, Strain and Force

Displacement Transducers, Dynamic Measurement Force Sensors, Instrumentation for Pressure and Strain Measurements, Load Cells, Pressure Gauges, Pressure Reference Section, Pressure Switches, Pressure Transducers, Proximity Transducers, Regulators, Strain Gages, Torque Transducers, Valves

### • Heaters

Band Heaters, Cartridge Heaters, Circulation Heaters, Comfort Heaters, Controllers, Meters and Switching Devices, Flexible Heaters, General Test and Measurement Instruments, Heater Hook-up Wire, Heating Cable Systems, Immersion Heaters, Process Air and Duct, Heaters, Radiant Heaters, Strip Heaters, Tubular Heaters