



**3D Printing Brass Nozzle 1 PCS**

Smooth inner wall without glitches, smoother filament-pushing

Nose with chamfer, Round nozzle

**MFR:** 4004020002

**Item Number:** D6-0.4mm

# 3D PRINTING BRASS NOZZLE

Delicate workmanship | Smooth filament–pushing | Precise molding



### International brass

Better thermal conductivity  
higher hardness



### Narrow-nosed nozzle

Chamfering Craft



### Smooth inner wall

Without glitches



### Even filament–pushing

No more and no less



### High–end Craft

Excellent quality



### All Series

Various models available

# Nozzle anatomy

**Name:** Brass nozzle

**Material:** International brass

**Size:** 6mm\*13mm

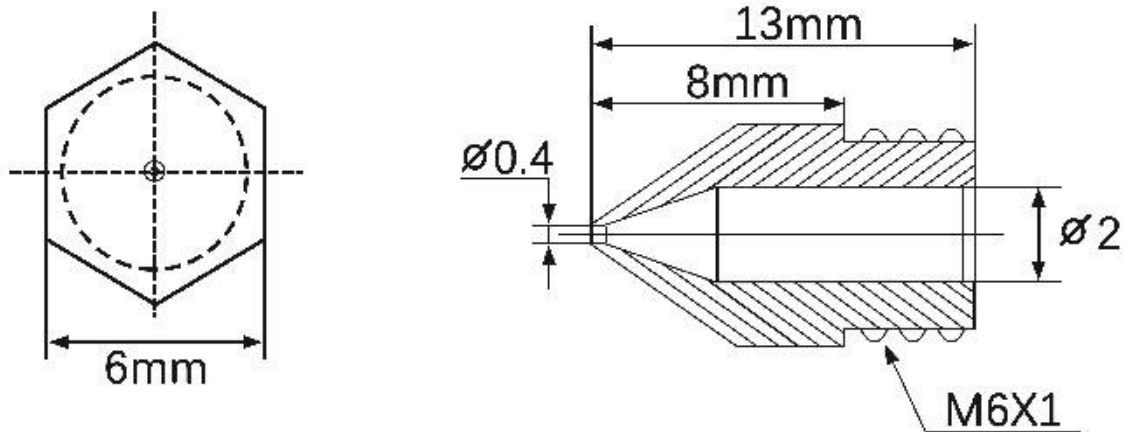
**Compatible filament size:**1.75

**Compatible nozzle tip size:** 0.1,0.2,0.3,0.4,0.5,0.6,0.8,1.0,1.2mm

---

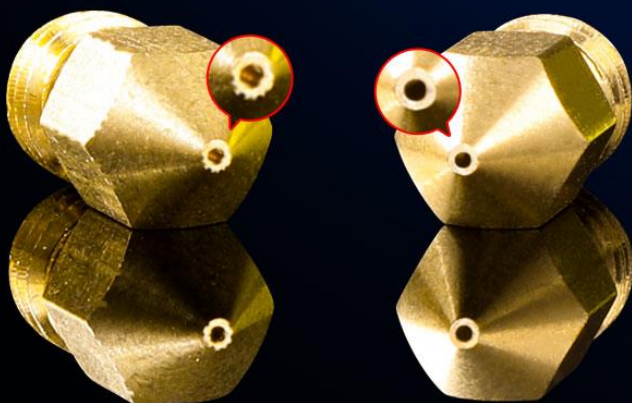
1.75mm filament apply to nozzle of 2.0mm inner diameter

3.0mm filament apply to nozzle of 3.2mm inner diameter



# International brass craft Better thermal conductivity, higher hardness

Print better quality with excellent thermal conductivity and wear-resistant



Common nozzle ❌

International brass nozzle ✅



Most flaws is appeared if model printed with common nozzle



VS



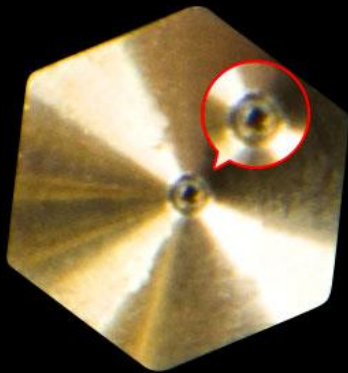
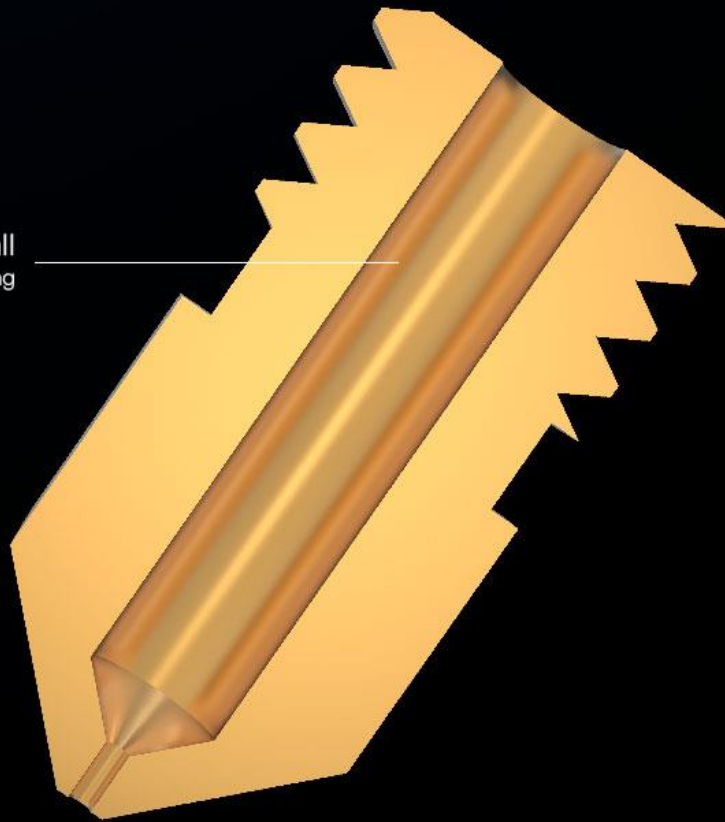
Smooth surface if model printed with international brass nozzle



## Smooth inner wall without glitches Smoother filament–pushing

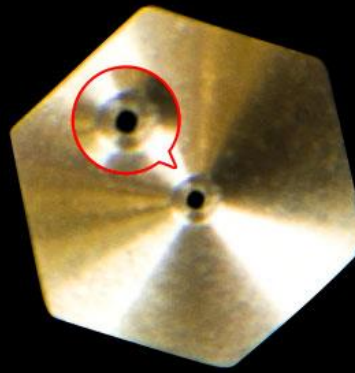
Smooth inner wall without glitches, low viscosity, and smoother filament–hopper  
Meanwhile, the craft that the model printed with common nozzle is not mature enough  
Rough inner wall and concave convex surface make filament come out unsmoothly

Smooth inner wall  
smoother filament–pushing



Common nozzle ❌

VS



International brass nozzle ✅



## Nose with chamfer Round nozzle

Chamfer craft and smooth surface reduce the resistance to filament so that the filament come out smoothly, feed in easier and rarely block the nozzle



Common nozzle ❌

International brass nozzle ✅

## Seamless junction



Seamless junction prevents filament leakage from nozzle head



Product Picture

