

CREALITY



MK8 Nozzles Package 24PCS

MFR: 4007010004

Product Information

Low Thermal Conductivity

Corrosion Resistance

High Wear Resistance

MK8 Nozzles 24Pcs

High quality international standard brass

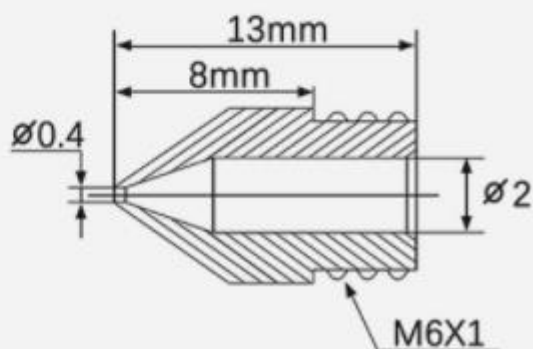
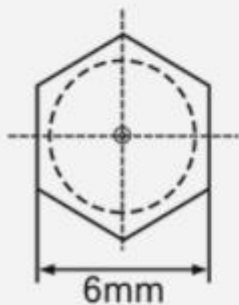


Product Display



Brass nozzle ○

Compatible nozzle tip size: 0.2、0.3、0.4、0.5、
0.6、0.8、1.0

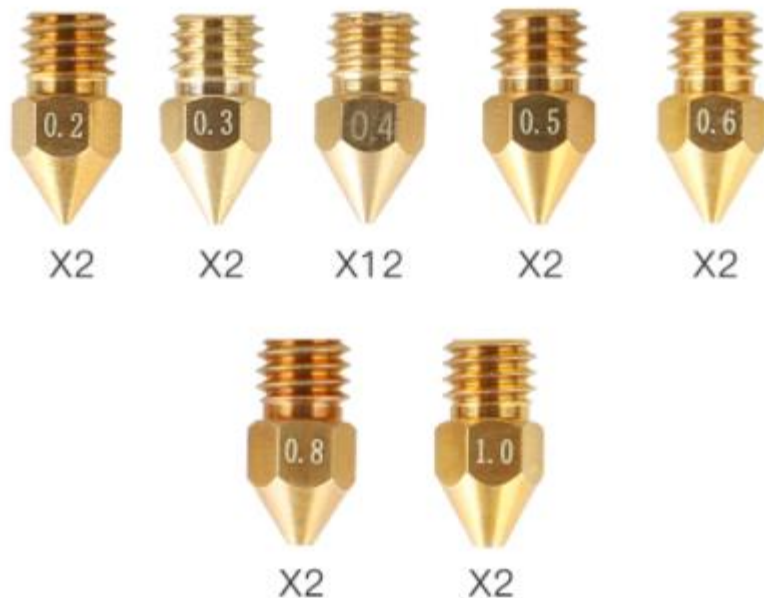


High-quality brass material

Selected High-quality brass, with precise tooth position and no obvious burrs.



Product quantity



Product Parameters

Product Name: MK8 Nozzles 24Pcs

Product Size: 6*13mm

Product Material: International standard
brass

Compatible filament size: 1.75 N.W.: 60g

Compatible nozzle tip size: 0.2, 0.3, 0.4, 0.5, 0.6, 0.8, 1.0 mm
