



Spring Loaded RTD Sensors with M12 Connectors For Use in Thermowells

PR-26SL Series



- ✓ 4-Wire, Class-A Pt100 RTDs Can be Used with 2, 3 or 4-Wire Systems
- ✓ Temperature Range: -50 to 500°C (-58 to 932°F) [250°C (482°F) Max at Connector]
- ✓ M12 A-Coded Male Connectors for Easy Installation, 2 Wiring Arrangements Available
- ✓ Fits All Standard 0.260" Bore Thermowells (Sold Separately)

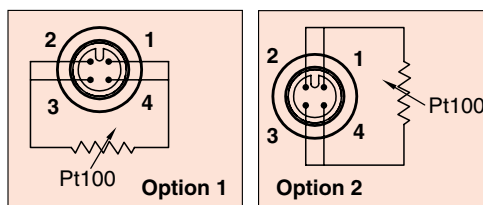
- ✓ Probe Length Equals Thermowell Stem Length
- ✓ Adjustable Self-Gripping Spring Allows for Use in Shorter Length Thermowells
- ✓ M12 Extension Cables, 4 to 20 mA Transmitters and Other Accessories Available
- ✓ Large Selection of Industrial Thermowells



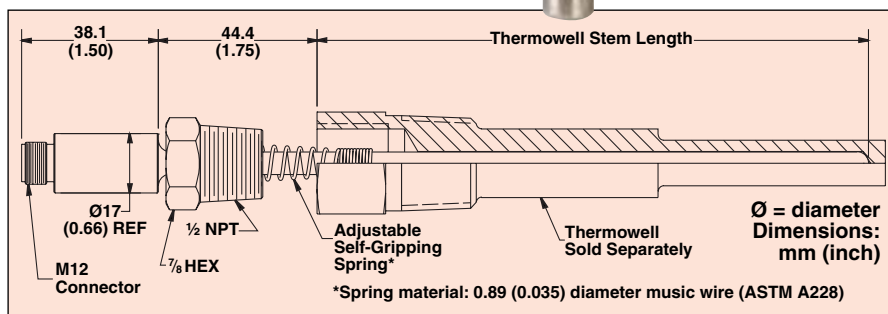
PR-26SL-3-100-A-0600-M12-1 shown smaller than actual size.

Thermowell sold separately. Visit us online for details.

- Optional Equipment**
- ✓ TX-M12-RTD Transmitter
 - ✓ SPRTX-SS In-Line Transmitter
 - ✓ TX94A-SS Transmitter
 - ✓ UWRTD-2-S Wireless Transmitter
 - ✓ M12 Extension Cables



M12CM-T24SSPC-RF-5, mating cable sold separately. Visit us online for optional extension cables.



To Order

Model No.	Resistance at 0°C	Accuracy Class Per IEC 60751*	Thermowell Stem Length
PR-26SL-3-100-A-0250-M12-1	100.00 ±0.06Ω	Class A	2½"
PR-26SL-3-100-A-0400-M12-1	100.00 ±0.06Ω	Class A	4"
PR-26SL-3-100-A-0600-M12-1	100.00 ±0.06Ω	Class A	6"
PR-26SL-3-100-A-0900-M12-1	100.00 ±0.06Ω	Class A	9"
PR-26SL-3-100-A-1200-M12-1	100.00 ±0.06Ω	Class A	12"
PR-26SL-3-100-A-1500-M12-1	100.00 ±0.06Ω	Class A	15"
PR-26SL-3-100-A-1800-M12-1	100.00 ±0.06Ω	Class A	18"
PR-26SL-3-100-A-2400-M12-1	100.00 ±0.06Ω	Class A	24"

* Class A Accuracy = ±(0.15 + 0.002*t)°C where "t" = temperature in °C regardless of sign.

For the alternate wiring arrangement, change "-1" to "-2" in the model number, no additional cost.

For a probe length not listed up to 24", change the stem length in the model number to the required stem length (Example: 1250 = 12½") and use the price of the next longer sensor.

Ordering Example: PR-26SL-3-100-A-0400-M12-1, 4-wire 100 Ω Class A RTD sensor with M12 connector wired in the "-1" configuration (see figure) that spring loads into a thermowell with a 0.260" diameter bore and a stem length of 4" or less.