

1-796502-1 ✓ ACTIVE

AMP | AMP CPC

TE Internal #: 1-796502-1

AMP CPC, Circular Power Connectors, Connector Assembly,
Operating Voltage 250 VDC, Wire-to-Board / Wire-to-Panel, 19
Position, Receptacle

[View on TE.com >](#)



Connectors > Power Connectors > Circular Power > Circular Power Connectors > CPC SERIES 1 POSTED



Connector Product Type: **Connector Assembly**

Operating Voltage: **250 VDC**

Connector System: **Wire-to-Board, Wire-to-Panel**

Number of Positions: **19**

Sealable: **No**

[All CPC SERIES 1 POSTED \(40\)](#)

Features

Product Type Features

Connector Product Type	Connector Assembly
Connector System	Wire-to-Board, Wire-to-Panel
Sealable	No
Connector & Housing Type	Receptacle
Circular Connector Shell Type	All Plastic

Configuration Features

Number of Positions	19
Number of Power Positions	0
Keying	A
Number of Signal Positions	19

Electrical Characteristics

Operating Voltage	250 VAC
-------------------	---------

Contact Features

Reverse Gender	Yes
Contact Type	Socket

Termination Features

--	--



Termination Method to Printed Circuit Board	Through Hole - Solder
---	-----------------------

Mechanical Attachment

Panel Mount Feature Type	Flange with Mounting Holes
--------------------------	----------------------------

Connector Mounting Type	Panel Mount
-------------------------	-------------

Mating Alignment	With
------------------	------

Mating Retention	With
------------------	------

Panel Mount Feature	With
---------------------	------

Mating Alignment Type	Keyed
-----------------------	-------

Mating Retention Type	Threaded Coupling
-----------------------	-------------------

Housing Features

Housing Color	Black
---------------	-------

Housing Material	PA 6.6
------------------	--------

Circular Connector Shell Size	23
-------------------------------	----

Dimensions

Assembly Length	54.61 mm[2.15 in]
-----------------	-------------------

Usage Conditions

Operating Temperature Range	-55 – 105 °C[-67 – 221 °F]
-----------------------------	----------------------------

Fluid Resistance	None
------------------	------

Operation/Application

Circuit Application	Signal
---------------------	--------

Shielded	No
----------	----

Industry Standards

UL Flammability Rating	UL 94V-0
------------------------	----------

Packaging Features

Packaging Method	Tray
------------------	------

Packaging Quantity	8
--------------------	---

Product Compliance

[For compliance documentation, visit the product page on TE.com>](#)

EU RoHS Directive 2011/65/EU	Compliant
------------------------------	-----------

EU ELV Directive 2000/53/EC	Compliant
-----------------------------	-----------

China RoHS 2 Directive MIIT Order No 32, 2016	No Restricted Materials Above Threshold
---	---



EU REACH Regulation (EC) No. 1907/2006

Current ECHA Candidate List: JUL 2021 (219)

Candidate List Declared Against: JUL 2021 (219)

Does not contain REACH SVHC

Halogen Content

Not Yet Reviewed for halogen content

Solder Process Capability

Wave solder capable to 265°C

Product Compliance Disclaimer

This information is provided based on reasonable inquiry of our suppliers and represents our current actual knowledge based on the information they provided. This information is subject to change. The part numbers that TE has identified as EU RoHS compliant have a maximum concentration of 0.1% by weight in homogenous materials for lead, hexavalent chromium, mercury, PBB, PBDE, DBP, BBP, DEHP, DIBP, and 0.01% for cadmium, or qualify for an exemption to these limits as defined in the Annexes of Directive 2011/65/EU (RoHS2). Finished electrical and electronic equipment products will be CE marked as required by Directive 2011/65/EU. Components may not be CE marked. Additionally, the part numbers that TE has identified as EU ELV compliant have a maximum concentration of 0.1% by weight in homogenous materials for lead, hexavalent chromium, and mercury, and 0.01% for cadmium, or qualify for an exemption to these limits as defined in the Annexes of Directive 2000/53/EC (ELV). Regarding the REACH Regulation, the information TE provides on SVHC in articles for this part number is based on the latest European Chemicals Agency (ECHA) 'Guidance on requirements for substances in articles' posted at this URL: <https://echa.europa.eu/guidance-documents/guidance-on-reach>

Compatible Parts



TE Part # 211772-1
CPC PLUG ASSEMBLY SIZE 23-19



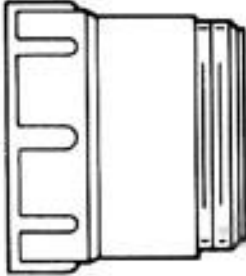
TE Part # 207299-4
FLANGE PLUG



TE Part # CAT-AM71-C83998B
CPC CABLE CLAMPS



TE Part # 211772-3
CPC PLUG ASSEMBLY SIZE 23-19



TE Part # 207055-1
EXTENDER BACK SHELL

Also in the Series | **AMP CPC**



Circular Connector Adapters(7)



Circular Connector Boots & Strain Relief(6)



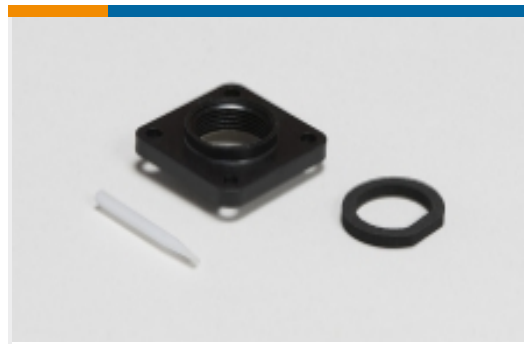
Circular Connector Caps & Covers(16)



Circular Connector Hardware(3)



Circular Connector Keying Plugs(2)



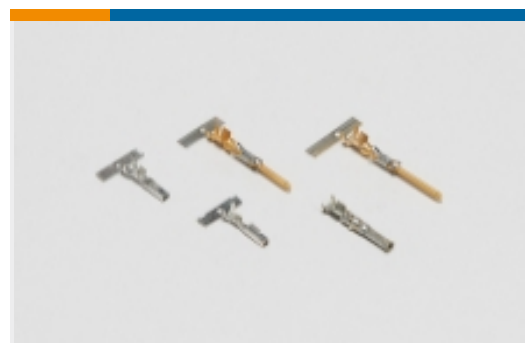
Circular Connector Seals(36)



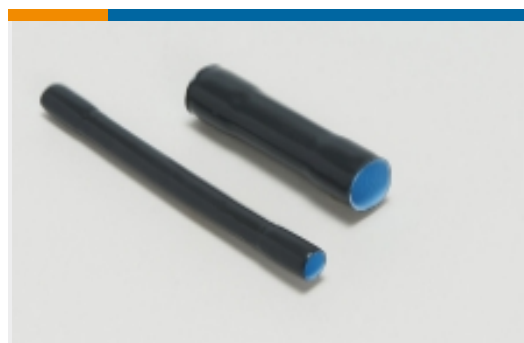
Circular Power Connectors(513)



Insertion & Extraction Tools(1)



Power Contacts(6)



Sealing Sleeves(2)



Unscreened Circular Connector Backshells & Clamps(56)

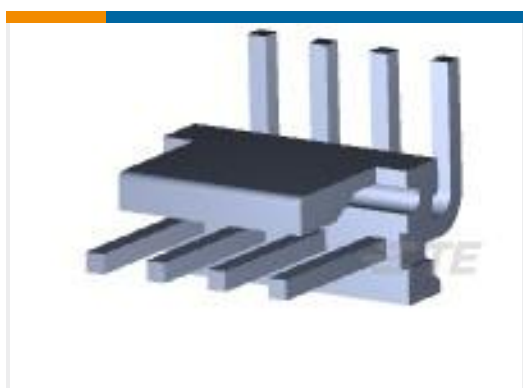
Customers Also Bought



TE Part #5499913-4
AMP-LATCH UNIVERSAL HEADERS



TE Part #1-796387-1
CPC SERIES 1 POSTED



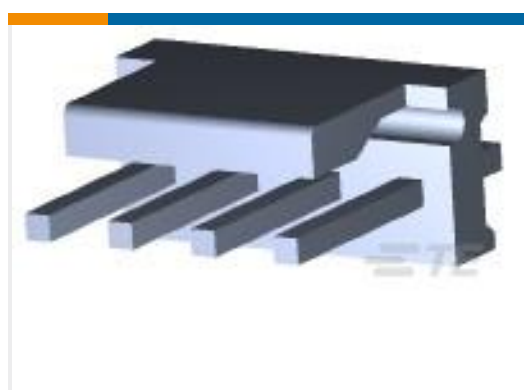
TE Part #640387-4
04P MTA156 HDR ASSY SQ R/A



TE Part #208283-1
CPC RECPT ASSEMBLY SIZE 11-4



TE Part #4-644892-0
10P CST100 SHRD HDR ASSY LF



TE Part #640445-4
04P MTA156 HDR ASSY FL/STR SN



TE Part #3-644892-4
04P CST100 SHRD HDR ASSY LF

Documents



Product Drawings

[CPC PSTD RCPT,23-19,R/A LF](#)

English

CAD Files

[3D PDF](#)

English

Customer View Model

[ENG_CVM_1-796502-1_C.2d_dxf.zip](#)

English

Customer View Model

[ENG_CVM_1-796502-1_C.3d_igs.zip](#)

English

Customer View Model

[ENG_CVM_1-796502-1_C.3d_stp.zip](#)

English

By downloading the CAD file I accept and agree to the [Terms and Conditions](#) of use.

Datasheets & Catalog Pages

[AMP Circular Connectors for Commercial Signal & Power Applications](#)

English

Product Specifications

[Application Specification](#)

English