

2.0mm Box Header with Ejector

Double Row, Vertical, Through Hole Type

multicomp PRO

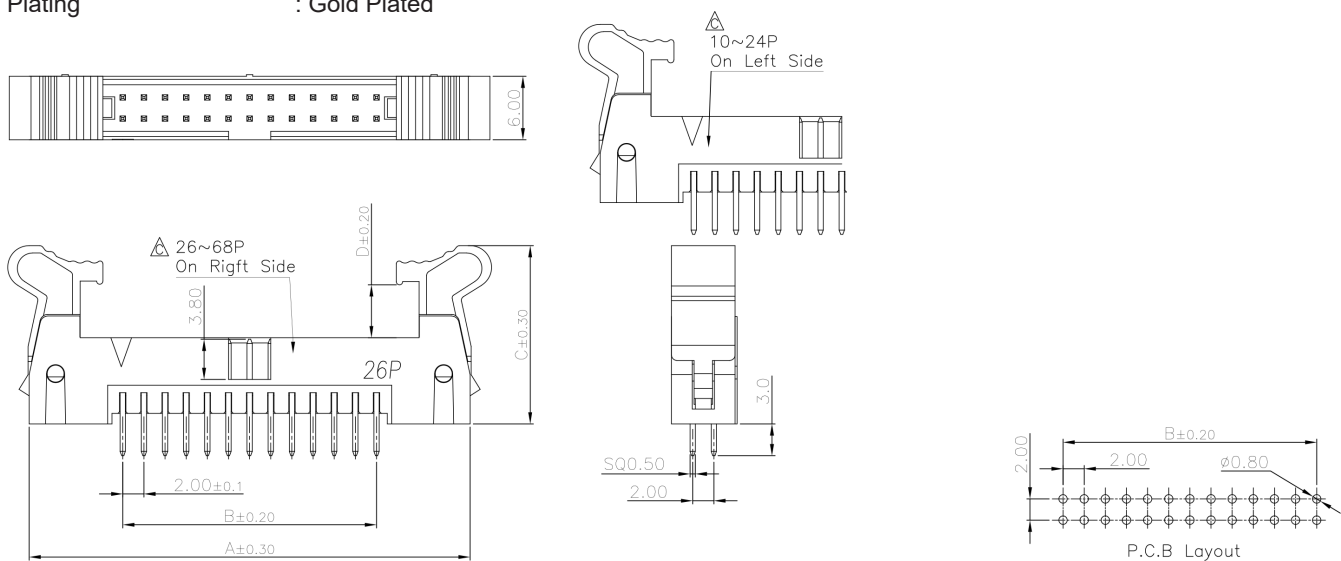
Specifications

Current Rating : 2.0A AC/DC
 Voltage Rating : 250V AC/DC
 Contact Resistance : 20m Ω Max.
 Insulation Resistance : 1,000MΩ Min.
 Withstanding Voltage : 500V AC/minute
 Operating Temperature : -40°C to +105°C

Material

Insulator : High Temp Plastic (Nylon 6T UL94V-0)
 Colour : Black
 Contact : Copper Alloy
 Plating : Gold Plated

**RoHS
Compliant**



Dimensions : Millimetres

Part Number Table

Description	Positions	A (mm)	B (mm)	Part Number
Shrouded header, Vertical, 2.0mm, 2Row, Ejector, TH	10	25.7	8	MP008674
	14	29.7	12	MP008675
	16	31.7	14	MP008676
	20	35.7	18	MP008677
	26	41.7	24	MP008678
	30	45.7	28	MP008679
	34	49.7	32	MP008680
	40	55.7	38	MP008681

Important Notice : This data sheet and its contents (the "Information") belong to the members of the AVNET group of companies (the "Group") or are licensed to it. No licence is granted for the use of it other than for information purposes in connection with the products to which it relates. No licence of any intellectual property rights is granted. The Information is subject to change without notice and replaces all data sheets previously supplied. The Information supplied is believed to be accurate but the Group assumes no responsibility for its accuracy or completeness, any error in or omission from it or for any use made of it. Users of this data sheet should check for themselves the Information and the suitability of the products for their purpose and not make any assumptions based on information included or omitted. Liability for loss or damage resulting from any reliance on the Information or use of it (including liability resulting from negligence or where the Group was aware of the possibility of such loss or damage arising) is excluded. This will not operate to limit or restrict the Group's liability for death or personal injury resulting from its negligence. Multicomp Pro is the registered trademark of Premier Farnell Limited 2019.

Newark.com/multicomp-pro
 Farnell.com/multicomp-pro
 sg.element14.com/b/multicomp-pro

multicomp PRO