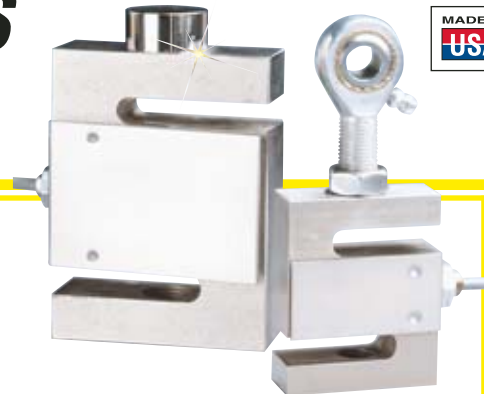


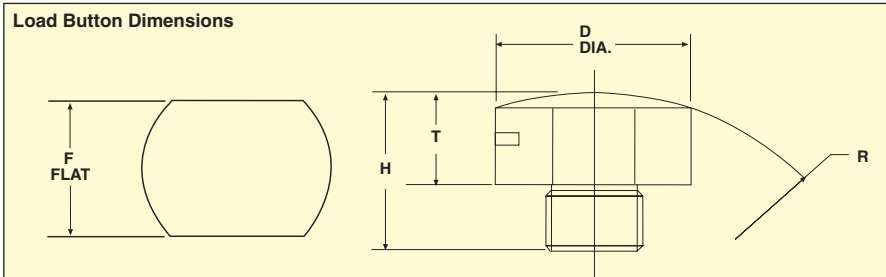
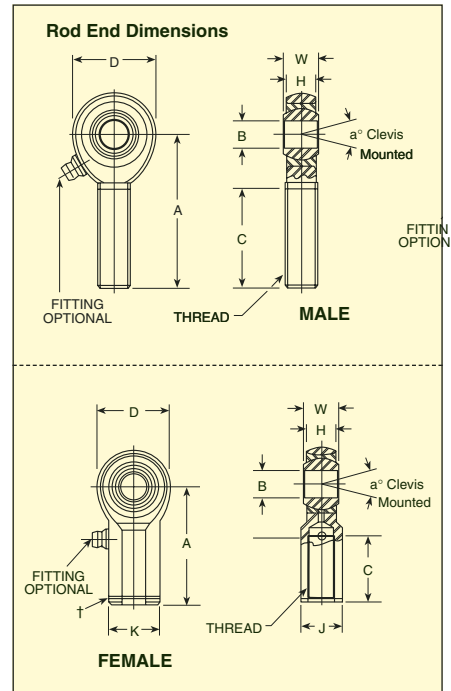
OPTIONS AND ACCESSORIES

LOAD BUTTONS AND ROD ENDS

FOR METRIC LOAD CELLS



Load Buttons (Specify Model Number)		Dimensions: mm (in)					
MODEL NO.	THREAD	H	T	D	F	R	
MLBC-M6	M6 x 1.0	12.7 (0.50)	5.1 (0.20)	15.2 (0.60)	12.7 (0.50)	50.8 (2.00)	
MLBC-M8	M8 x 1.25	12.7 (0.50)	5.1 (0.20)	15.2 (0.60)	12.7 (0.50)	50.8 (2.00)	
MLBC-M10	M10 x 1.5	15.2 (0.60)	7.6 (0.30)	19.1 (0.75)	15.9 (0.63)	50.8 (2.00)	
MLBC-M12	M12 x 1.75	17.8 (0.70)	7.6 (0.30)	19.1 (0.75)	15.9 (0.63)	102 (4.02)	
MLBC-M16	M16 x 2.0	22.9 (0.90)	7.6 (0.30)	38.1 (1.50)	31.8 (1.25)	127 (5.00)	
MLBC-M20	M20 x 1.5	22.9 (0.90)	7.6 (0.30)	38.1 (1.50)	31.8 (1.25)	127 (5.00)	
MLBC-M24	M24 x 2.0	27.9 (1.10)	7.6 (0.30)	38.1 (1.50)	31.8 (1.25)	203 (8.00)	
MLBC-M36	M36 x 2.0	57.2 (2.25)	25.4 (1.00)	63.5 (2.50)	57.2 (2.25)	356 (14.02)	



Load Cell Options (Limited Models Only)

Temperature Compensation:

"-TC1" Extended Compensated Range
(-46 to 93°C/-50 to 200°F) not
exceeding operating range

"-TC2" 163°C (350°F)

Additional Cable Length:

- 4-conductor PVC
- 4-conductor PTFE
- 6-conductor PVC
- 6-conductor PTFE

Mating Connectors:

- PT06F-10-6S
- PT06A-10-6S (SR)

Calibration/Recalibration:

- "-NC5" 5-point calibration
- 0%, 50%, 100%, 50%, 0%
- Extra calibration points
- See section B for full details on calibrations

Built-In Amplifiers:

- 0 to 5 Vdc
- 4 to 20 mA

In-Line Amplifiers:

See section C for selection

Rod Ends (Specify Model Number)		Dimensions: mm (in)										
MALE ROD ENDS	THREAD SIZE	B	W	H	A	D	C	a°	K	J	STATIC LOAD (lb)	
MREC-M5M	M5 x 0.8	5 (0.197)	8 (0.315)	6.25 (0.246)	33 (1.300)	16 (0.630)	20 (0.787)	14	—	—	12,611	
MREC-M6M	M6 x 1.0	6 (0.236)	9 (0.354)	7 (0.275)	36 (1.417)	19 (0.748)	22 (0.866)	13	—	—	17,720	
MREC-8M	M8 x 1.25	8 (0.315)	12 (0.472)	8.75 (0.344)	42 (1.653)	22.25 (0.876)	25 (0.984)	18	—	—	33,135	
MREC-10M	M10 x 1.5	10 (0.394)	14 (0.551)	10.5 (0.413)	48 (1.990)	27 (1.063)	29 (1.142)	17	—	—	50,227	
MREC-12M	M12 x 1.75	12 (0.472)	16 (0.630)	12 (0.472)	54 (2.126)	30 (1.181)	33 (1.300)	17	—	—	44,490	
MREC-16M	M16 x 2.0	16 (0.630)	21 (0.826)	14.25 (0.561)	66 (2.598)	38 (1.496)	40 (1.575)	23	—	—	76,291	
MREC-20M	M20 x 1.5	20 (0.787)	25 (0.984)	18 (0.709)	78 (3.071)	46 (1.811)	47 (1.850)	20	—	—	120,212	
MREC-24M	M24 x 2.0	25 (0.984)	31 (1.220)	22 (0.866)	95 (3.740)	60 (2.362)	57 (2.244)	19	—	—	251,780	
MRECM-5F	M5 x 0.8	5 (0.197)	8 (0.315)	6.25 (0.246)	27 (1.063)	16 (0.630)	14 (0.551)	14	11	9	16,396	
MRECM-6F	M6 x 1.0	6 (0.236)	9 (0.354)	7 (0.275)	30 (1.181)	19 (0.748)	14 (0.551)	13	13	11	25,781	
MRECM-10F	M10 x 1.5	10 (0.394)	14 (0.551)	10.5 (0.413)	43 (1.693)	27 (1.063)	21 (0.827)	17	19	17	50,227	
MRECM-12F	M12 x 1.75	12 (0.472)	16 (0.630)	12 (0.472)	50 (1.968)	30 (1.181)	24 (0.945)	17	22	19	44,490	
MRECM-20F	M20 x 1.5	20 (0.787)	25 (0.984)	18 (0.709)	77 (3.031)	46 (1.811)	40 (1.575)	20	34	30	120,212	



UNITED STATES

www.omega.com
1-800-TC-OMEGA
Stamford, CT.

CANADA

www.omega.ca
Laval(Quebec)
1-800-TC-OMEGA

GERMANY

www.omega.de
Deckenpfronn, Germany
0800-8266342

UNITED KINGDOM

www.omega.co.uk
Manchester, England
0800-488-488

FRANCE

www.omega.fr
Guyancourt, France
088-466-342

CZECH REPUBLIC

www.omegaeng.cz
Karviná, Czech Republic
596-311-899

BENELUX

www.omega.nl
Amstelveen, NL
0800-099-33-44



More than 100,000 Products Available!

• Temperature

Calibrators, Connectors, General Test and Measurement Instruments, Glass Bulb Thermometers, Handheld Instruments for Temperature Measurement, Ice Point References, Indicating Labels, Crayons, Cements and Lacquers, Infrared Temperature Measurement Instruments, Recorders Relative Humidity Measurement Instruments, RTD Probes, Elements and Assemblies, Temperature & Process Meters, Timers and Counters, Temperature and Process Controllers and Power Switching Devices, Thermistor Elements, Probes and Assemblies, Thermocouples Thermowells and Head and Well Assemblies, Transmitters, Wire

• Flow and Level

Air Velocity Indicators, Doppler Flowmeters, Level Measurement, Magnetic Flowmeters, Mass Flowmeters, Pitot Tubes, Pumps, Rotameters, Turbine and Paddle Wheel Flowmeters, Ultrasonic Flowmeters, Valves, Variable Area Flowmeters, Vortex Shedding Flowmeters

• pH and Conductivity

Conductivity Instrumentation, Dissolved Oxygen Instrumentation, Environmental Instrumentation, pH Electrodes and Instruments, Water and Soil Analysis Instrumentation

• Data Acquisition

Auto-Dialers and Alarm Monitoring Systems, Communication Products and Converters, Data Acquisition and Analysis Software, Data Loggers Plug-in Cards, Signal Conditioners, USB, RS232, RS485 and Parallel Port Data Acquisition Systems, Wireless Transmitters and Receivers

• Pressure, Strain and Force

Displacement Transducers, Dynamic Measurement Force Sensors, Instrumentation for Pressure and Strain Measurements, Load Cells, Pressure Gauges, Pressure Reference Section, Pressure Switches, Pressure Transducers, Proximity Transducers, Regulators, Strain Gages, Torque Transducers, Valves

• Heaters

Band Heaters, Cartridge Heaters, Circulation Heaters, Comfort Heaters, Controllers, Meters and Switching Devices, Flexible Heaters, General Test and Measurement Instruments, Heater Hook-up Wire, Heating Cable Systems, Immersion Heaters, Process Air and Duct, Heaters, Radiant Heaters, Strip Heaters, Tubular Heaters