



# SPAN TEMPERATURE-COMPENSATION RESISTOR

**SGN-2/20-E**  
Starts at

Pkg of 5

## SPECIFICATIONS

### Foil Measuring Grid:

Nickel foil 5 microns thick

Carrier: Polyimide

Substrate Thickness: 20 microns

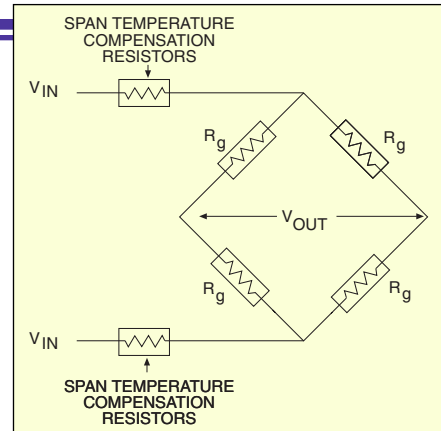
Cover Thickness: 25 microns

Tolerance in  $\Omega$ :  $\pm 1 \Omega$

Temp Coefficient of Resistance:


0.6%/°C (0.34%/°F)

Temperature Range: 0 to 100°C (32 to 212°F)



**MOST POPULAR MODELS HIGHLIGHTED!**

## To Order (Specify Model Number)

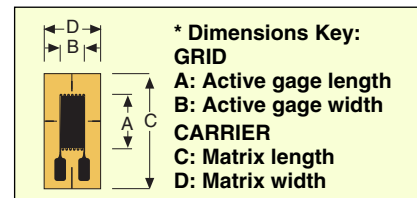
TEMPERATURE COMPENSATION RESISTORS ENCAPSULATED	MODEL NO.	NOMINAL RESISTANCE ( $\Omega$ )	DIMENSIONS mm (in)*			
			GRID		CARRIER	
			A	B	C	D
 <p>Typical resistor pattern.</p>	SGN-2/20-E	20	1.9 (0.075)	3 (0.118)	4.8 (0.189)	4 (0.157)
	SGN-2/25-E	25	1.9 (0.075)	3 (0.118)	4.8 (0.189)	4 (0.157)
	SGN-2/30-E	30	1.9 (0.075)	3 (0.118)	4.8 (0.189)	4 (0.157)
	SGN-3/10-E	10	3.2 (0.126)	3.2 (0.126)	8.6 (0.339)	5.2 (0.205)
	SGN-3/12-E	12	3.2 (0.126)	3.2 (0.126)	8.6 (0.339)	5.2 (0.205)
	SGN-3/34-E	34	3 (0.118)	3.2 (0.126)	7.3 (0.287)	4.8 (0.189)
	SGN-3/36-E	36	3 (0.118)	3.2 (0.126)	7.3 (0.287)	4.8 (0.189)
	SGN-4/14-E	14	4 (0.157)	3.2 (0.126)	8.8 (0.346)	4.8 (0.189)
	SGN-4/16-E	16	4 (0.157)	3.2 (0.126)	8.8 (0.346)	4.8 (0.189)
	SGN-4/20-E	20	4 (0.157)	3.2 (0.126)	8.8 (0.346)	4.8 (0.189)
	SGN-4/24-E	24	4 (0.157)	3.2 (0.126)	8.8 (0.346)	4.8 (0.189)
	SGN-4/28-E	28	4 (0.157)	3.2 (0.126)	8.8 (0.346)	4.8 (0.189)
	SGN-4/30-E	30	4 (0.157)	3.2 (0.126)	8.8 (0.346)	4.8 (0.189)
	SGN-4/32-E	32	4 (0.157)	3.2 (0.126)	8.8 (0.346)	4.8 (0.189)
	SGN-4/48-E	48	4 (0.157)	3.2 (0.126)	8.8 (0.346)	4.8 (0.189)
SGN-4/60-E	60	4 (0.157)	3.2 (0.126)	8.8 (0.346)	4.8 (0.189)	

### DISCOUNT SCHEDULE

1 to 10 pkgs	Net
11 to 24 pkgs	.5%
25 to 49 pkgs	10%
50 and up and OEM	Consult Factory

Note: For strain gage accessories see pages E-56 to E-59.

Ordering Example: SGN-4/28-E, 28  $\Omega$  nominal-resistance span temperature-compensation resistor,




# SPAN TEMPERATURE-COMPENSATION, BRIDGE-BALANCING, AND ZERO TEMPERATURE-COMPENSATION RESISTORS



SPECIFICATIONS	RES-C	RES-N
Foil Measuring Grid	Constantan foil 5 microns thick	Nickel foil 5 microns thick
Carrier	Polyimide	Polyimide
Substrate Thickness	20 microns	20 microns
Tolerance in $\Omega$	$\pm 1 \Omega$	$\pm 1 \Omega$
Temp Coefficient of Resistance	—	0.6%/°C (0.34%/°F)
Temperature Range	-75 to 200°C (-100 to 392°F)	0 to 100°C (32 to 212°F)

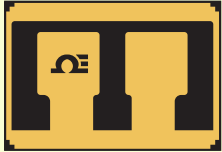
**MOST POPULAR MODELS HIGHLIGHTED!**

## To Order (Specify Model Number)

TEMPERATURE-COMPENSATED RESISTORS OPEN FACE	MODEL NO.	NOMINAL RESISTANCE ( $\Omega$ )	DIMENSIONS mm (in)*			
			GRID		CARRIER	
			A	B	C	D
 <p>Typical resistor pattern.</p>	SGN-2/20-PN	20	1.9 (0.075)	3 (0.118)	4.8 (0.189)	4 (0.157)
	SGN-2/25-PN	25	1.9 (0.075)	3 (0.118)	4.8 (0.189)	4 (0.157)
	SGN-2/30-PN	30	1.9 (0.075)	3 (0.118)	4.8 (0.189)	4 (0.157)
	SGN-3/10-PN	10	3.2 (0.126)	3.2 (0.126)	8.6 (0.339)	5.2 (0.205)
	SGN-3/12-PN	12	3.2 (0.126)	3.2 (0.126)	8.6 (0.339)	5.2 (0.205)
	SGN-3/34-PN	34	3 (0.118)	3.2 (0.126)	7.3 (0.287)	4.8 (0.189)
	SGN-3/36-PN	36	3 (0.118)	3.2 (0.126)	7.3 (0.287)	4.8 (0.189)
	SGN-4/14-PN	16	4 (0.157)	3.2 (0.126)	8.8 (0.346)	4.8 (0.189)
	SGN-4/16-PN	16	4 (0.157)	3.2 (0.126)	8.8 (0.346)	4.8 (0.189)
	SGN-4/20-PN	20	4 (0.157)	3.2 (0.126)	8.8 (0.346)	4.8 (0.189)
	SGN-4/24-PN	24	4 (0.157)	3.2 (0.126)	8.8 (0.346)	4.8 (0.189)
	SGN-4/28-PN	28	4 (0.157)	3.2 (0.126)	8.8 (0.346)	4.8 (0.189)
	SGN-4/30-PN	30	4 (0.157)	3.2 (0.126)	8.8 (0.346)	4.8 (0.189)
	SGN-4/32-PN	32	4 (0.157)	3.2 (0.126)	8.8 (0.346)	4.8 (0.189)
	SGN-4/48-PN	48	4 (0.157)	3.2 (0.126)	8.8 (0.346)	4.8 (0.189)
SGN-4/60-PN	60	4 (0.157)	3.2 (0.126)	8.8 (0.346)	4.8 (0.189)	

STRAIN GAGES

## BRIDGE-BALANCING AND ZERO TEMPERATURE-COMPENSATION RESISTORS

	RES-2C		2	3.4 (0.134)	6.3 (0.248)	4.6 (0.181)	6.7 (0.264)
	RES-5C		5	3.4 (0.134)	6.3 (0.248)	4.6 (0.181)	6.7 (0.264)
	RES-2N		2	3.4 (0.134)	6.3 (0.248)	4.6 (0.181)	6.7 (0.264)
	RES-5N		5	3.4 (0.134)	6.3 (0.248)	4.6 (0.181)	6.7 (0.264)

### DISCOUNT SCHEDULE

1 to 10 pkgs . . . . .	Net
11 to 24 pkgs . . . . .	.5%
25 to 49 pkgs . . . . .	10%
50 and up and OEM . . . . .	Consult Factory

\* For dimensions key, see page E-61.

**Note:** For strain gage accessories see pages E-56 to E-59.

**Ordering Example:** SGN-4/28-PN, 28  $\Omega$  nominal-resistance span temperature-compensation resistor,



#### UNITED STATES

[www.omega.com](http://www.omega.com)  
1-800-TC-OMEGA  
Stamford, CT.

#### CANADA

[www.omega.ca](http://www.omega.ca)  
Laval(Quebec)  
1-800-TC-OMEGA

#### GERMANY

[www.omega.de](http://www.omega.de)  
Deckenpfronn, Germany  
0800-8266342

#### UNITED KINGDOM

[www.omega.co.uk](http://www.omega.co.uk)  
Manchester, England  
0800-488-488

#### FRANCE

[www.omega.fr](http://www.omega.fr)  
Guyancourt, France  
088-466-342

#### CZECH REPUBLIC

[www.omegaeng.cz](http://www.omegaeng.cz)  
Karviná, Czech Republic  
596-311-899

#### BENELUX

[www.omega.nl](http://www.omega.nl)  
Amstelveen, NL  
0800-099-33-44



## More than 100,000 Products Available!

### • Temperature

Calibrators, Connectors, General Test and Measurement Instruments, Glass Bulb Thermometers, Handheld Instruments for Temperature Measurement, Ice Point References, Indicating Labels, Crayons, Cements and Lacquers, Infrared Temperature Measurement Instruments, Recorders Relative Humidity Measurement Instruments, RTD Probes, Elements and Assemblies, Temperature & Process Meters, Timers and Counters, Temperature and Process Controllers and Power Switching Devices, Thermistor Elements, Probes and Assemblies, Thermocouples Thermowells and Head and Well Assemblies, Transmitters, Wire

### • Flow and Level

Air Velocity Indicators, Doppler Flowmeters, Level Measurement, Magnetic Flowmeters, Mass Flowmeters, Pitot Tubes, Pumps, Rotameters, Turbine and Paddle Wheel Flowmeters, Ultrasonic Flowmeters, Valves, Variable Area Flowmeters, Vortex Shedding Flowmeters

### • pH and Conductivity

Conductivity Instrumentation, Dissolved Oxygen Instrumentation, Environmental Instrumentation, pH Electrodes and Instruments, Water and Soil Analysis Instrumentation

### • Data Acquisition

Auto-Dialers and Alarm Monitoring Systems, Communication Products and Converters, Data Acquisition and Analysis Software, Data Loggers Plug-in Cards, Signal Conditioners, USB, RS232, RS485 and Parallel Port Data Acquisition Systems, Wireless Transmitters and Receivers

### • Pressure, Strain and Force

Displacement Transducers, Dynamic Measurement Force Sensors, Instrumentation for Pressure and Strain Measurements, Load Cells, Pressure Gauges, Pressure Reference Section, Pressure Switches, Pressure Transducers, Proximity Transducers, Regulators, Strain Gages, Torque Transducers, Valves

### • Heaters

Band Heaters, Cartridge Heaters, Circulation Heaters, Comfort Heaters, Controllers, Meters and Switching Devices, Flexible Heaters, General Test and Measurement Instruments, Heater Hook-up Wire, Heating Cable Systems, Immersion Heaters, Process Air and Duct, Heaters, Radiant Heaters, Strip Heaters, Tubular Heaters