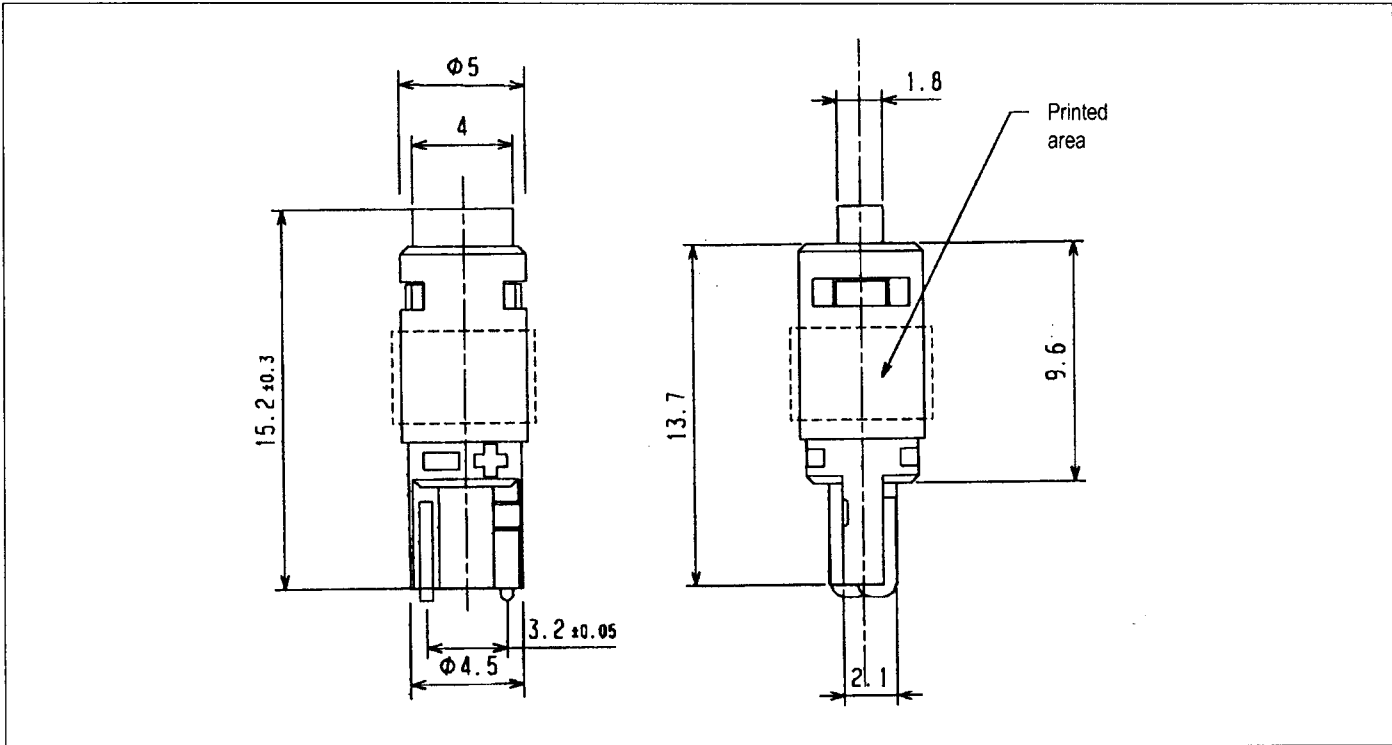


PRODUCT DATASHEET

LED, white, Wedge Base 5mm, 24V – 30V DC	90008161
---	-----------------



(1) Lamp nominal ratings:

Item	Symbol	Rating	Unit
Forward Current	I_F	14 [@ 24V]	mA
Forward Voltage	V_F	24 - 30	V
Power Dissipation	P_D	336 [@ 24V]	mW
Operating Temperature	T_{opr}	-30 ~ +85	°C
Storage Temperature	T_{stg}	-40 ~ +100	°C

(2) LED ratings [discrete]: $T_a = 25^\circ C$

Item	Symbol	Condition	Min	Typ	Max	Unit
Luminous Intensity	I_V	$I_F = 20[mA]$	340	410	480	mcd
CIE Coordinate	Rank b					
x	0.296	0.283	0.330		0.330	
y	0.276	0.305	0.360		0.318	

Colour coordinate measurement allowance is ± 0.01

- (4) Moulding colour: White.
- (5) Marking: "CML 24V - 30V"
- (6) This device is polarity sensitive