



## 9 Watt LED Module

### Light Source

- ✿ 3 High Power Light Emitting Diode (3 Watt LEDs)
- ✿ Colors: Cool White, Warm White, Blue, Cyan, Green, Amber and Red
- ✿ Consistent unit-to-unit color temperature



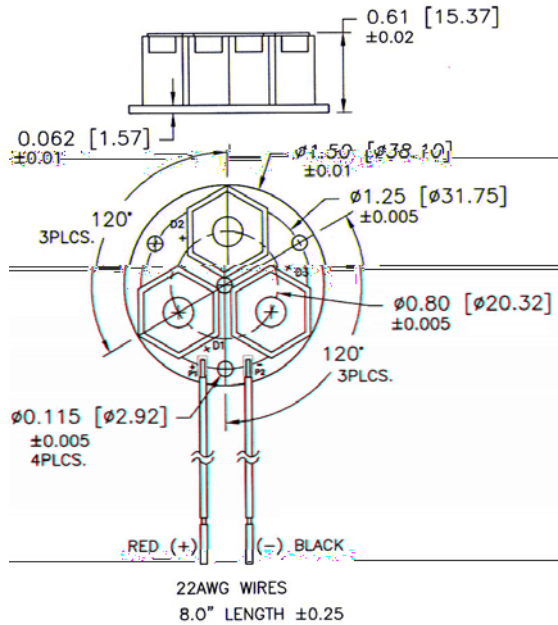
### Model-xxxx

- ✿ 1.5" (38.1mm) round compact source
- ✿ May be driven up to 1000mA
- ✿ Operating life 50,000 hours
- ✿ High efficiency optics: 6 or 25 degree beam
- ✿ Metal Clad PCB Substrate
- ✿ 8" power leads
- ✿ For Spot Lighting, Landscape Lighting, Architectural Lighting, Portable Lighting, Task Lighting and Track Lighting

	<u>Color</u>	<u>Color Temp - Dominant Wavelength</u>	<u>Typical Luminous Flux (Lumens)</u>	<u>Design Current (mA)</u>	<u>Power Consumption (Watts)</u>
	Cool White	6000K +/- 250K	192	700	8.4
	Warm White	3300K +/- 250K	120	700	8.4
	Blue	470nm	57	700	8.4
	Cyan	505nm	156	700	8.4
	Green	530nm	156	700	8.4
	Amber	589nm	144	700	5.5
	Red	625nm	156	700	5.5



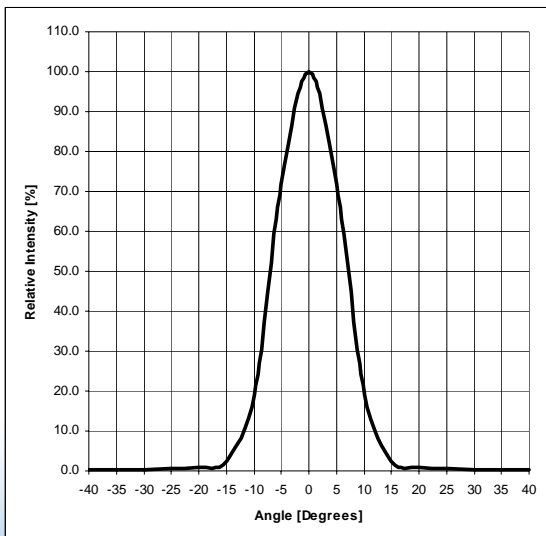
## Specifications



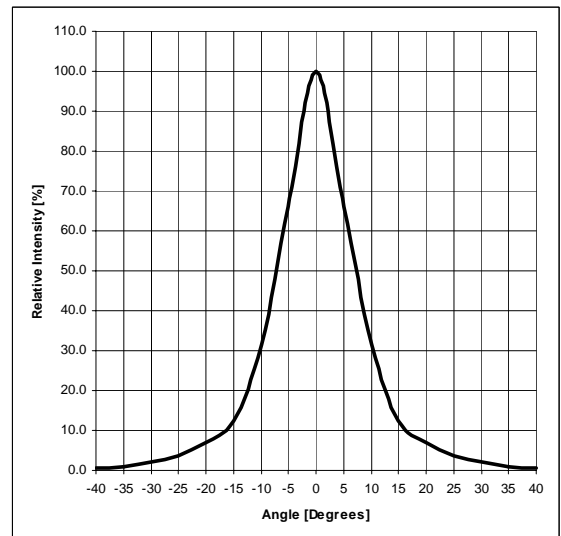
### Operating Specifications:

- Operating PCB temperature: 65 °C (Recommended)
- Maximum PCB temperature: 100 °C
- Thermal Resistance (Rthj-a): 28 °C/W
- Projected life: 50,000 hours (70% lumen maintenance at 65 °C)
- \* Additional heat sinking required, refer to CML technical support for thermal management guidelines

## Photometric Data



Radiation Pattern with 6° optic (CW)



Radiation Pattern with 25° optic (CW)