

NEMA TYPE 4X STAINLESS STEEL 22.5 AND 30.5 mm PUSHBUTTON ENCLOSURES

SCE-PBSS Series



- 0.075" Stainless Steel Type 304
- Seams Continuously Welded and Ground Smooth
- Captivated Cover Screws Thread Into Sealed Wells
- 4-Way Pushbutton Holes Accept All Brands of Oil-Tight Pushbuttons, Switches and Pilot Lights
- Immediate Removal of Cover is Permitted
- Oil-Resistant Door Gasket
- Can Be Special Ordered in Type 316 Stainless Steel

Application

Designed to house standard pushbuttons, switches and pilot lights in wet and hosed down areas and in corrosive atmospheres.

Finish

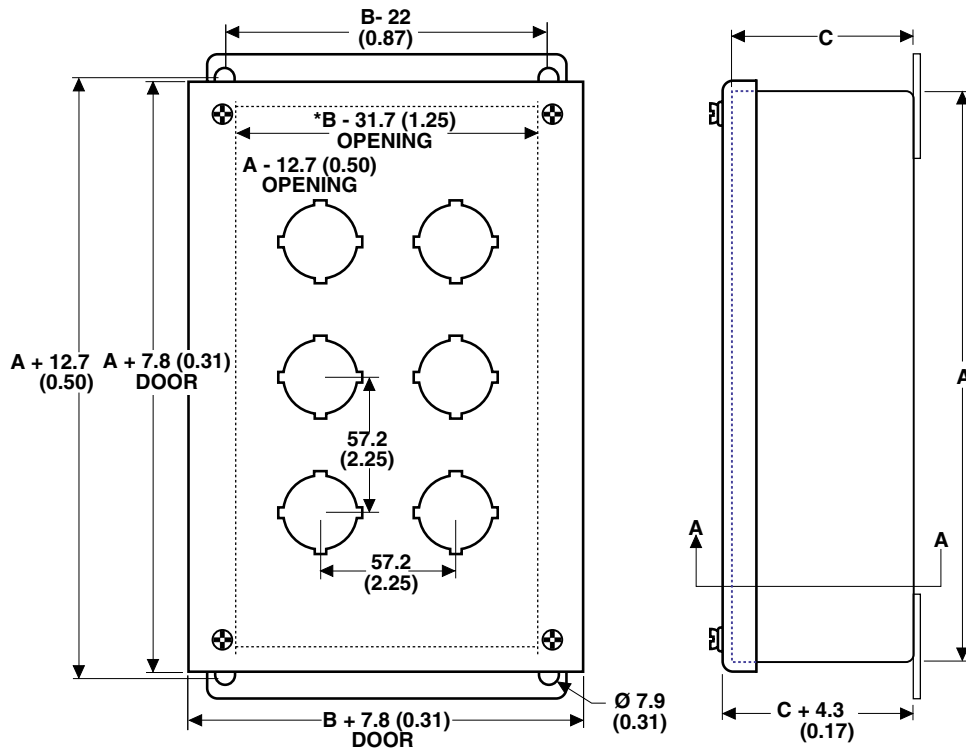
#4 brushed finish on all exterior surfaces.

Industry Standards-IS5

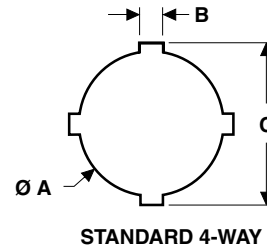
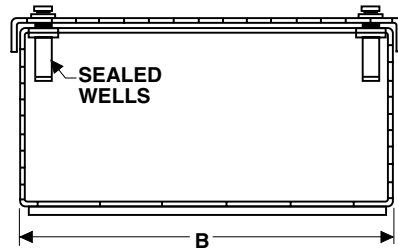
NEMA Type 4, 4X, 12 & 13
UL Listed Type 4, 4X, & 12
CSA Type 4, 4X & 12
IEC 60529 IP 66



SCE-9PBSS shown smaller than actual size.



NOTE:
*B - 12.7 (0.50) ONE COLUMN OF PUSH BUTTONS



SECTION A-A Dimensions: mm (inch)

Hole Size	A	B	C
22 mm	22.5 (0.89)	4.8 (0.19)	34.7 (1.36)
30 mm	30.5 (1.22)	3.2 (0.13)	24.7 (0.97)

To Order			
TYPE 4X STAINLESS STEEL 30.5 mm PUSHBUTTON ENCLOSURES			
MODEL NO.	HEIGHT (inch) (A)	WIDTH (inch) (B)	DEPTH (inch) (C)
SCE-1PBSS	3.50	3.25	2.75
SCE-2PBSS	5.75	3.25	2.75
SCE-3PBSS	8.00	3.25	2.75
SCE-4PBSS	10.25	3.25	2.75
SCE-4PBXSS	10.00	4.00	4.75
SCE-4SPBSS	7.25	6.25	3.00
SCE-6PBSS	9.50	6.25	3.00
SCE-9PBSS	9.50	8.50	3.00
SCE-12PBSS	11.75	8.50	3.00
SCE-16PBXSS	11.75	10.75	4.75

For 22 mm hole size add "I" to model number. Ex: SCE-1PBSSI, no additional cost.
Ordering Example: SCE-1PBSS, Type 4X stainless steel 30.5 mm pushbutton enclosure.