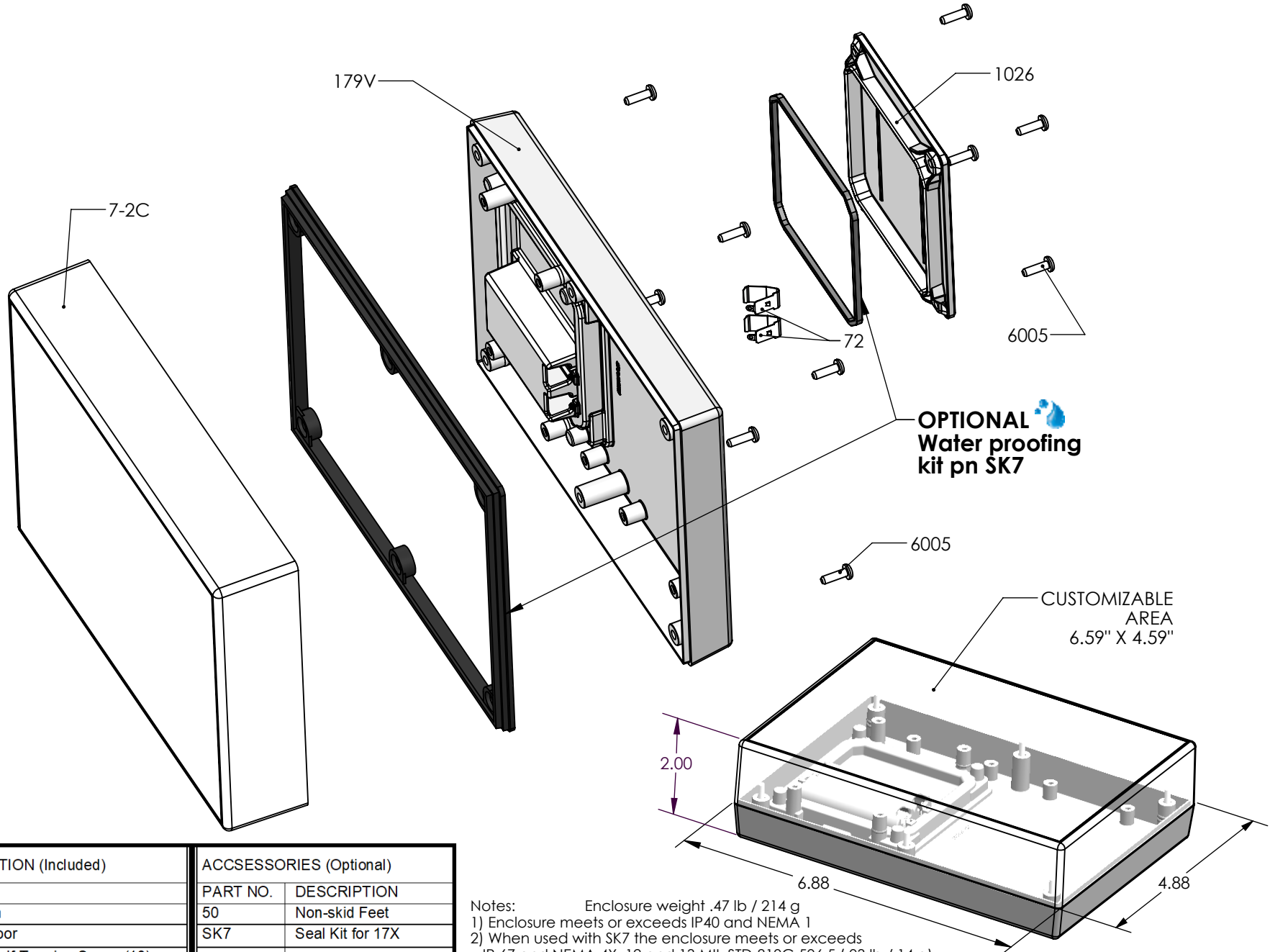


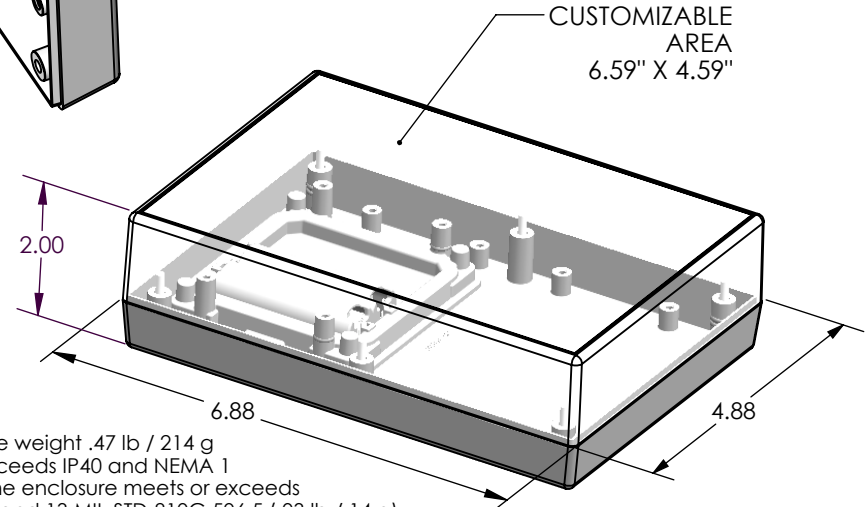
SERPAC 172C9V (exploded isometric)

Electronic Enclosures



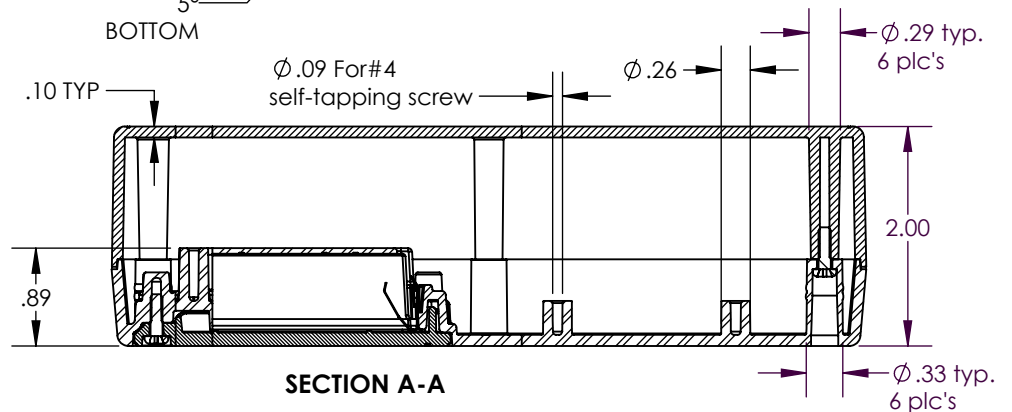
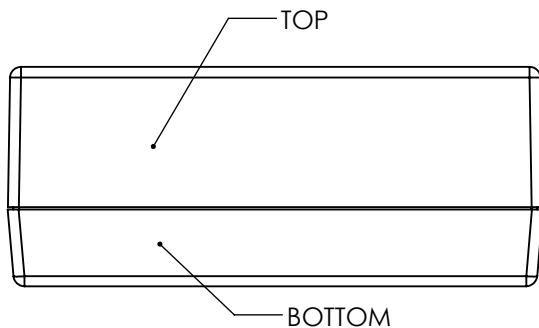
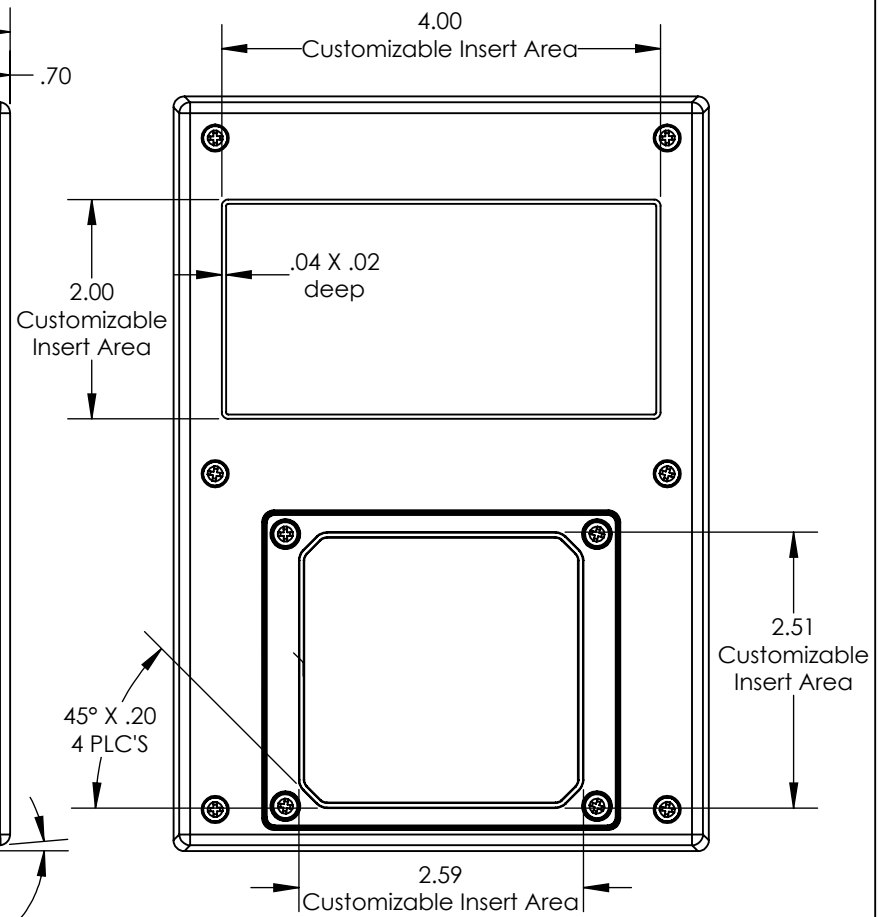
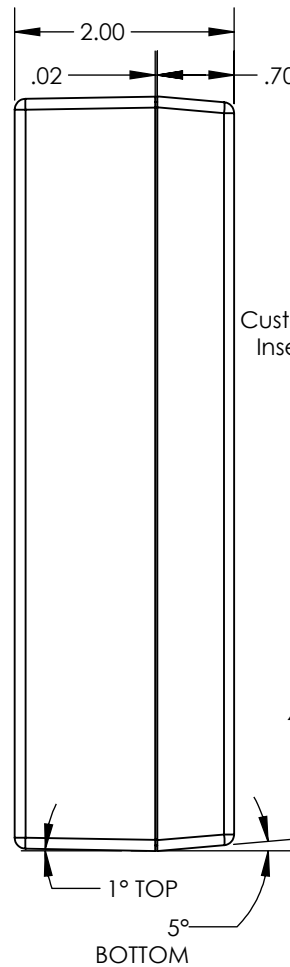
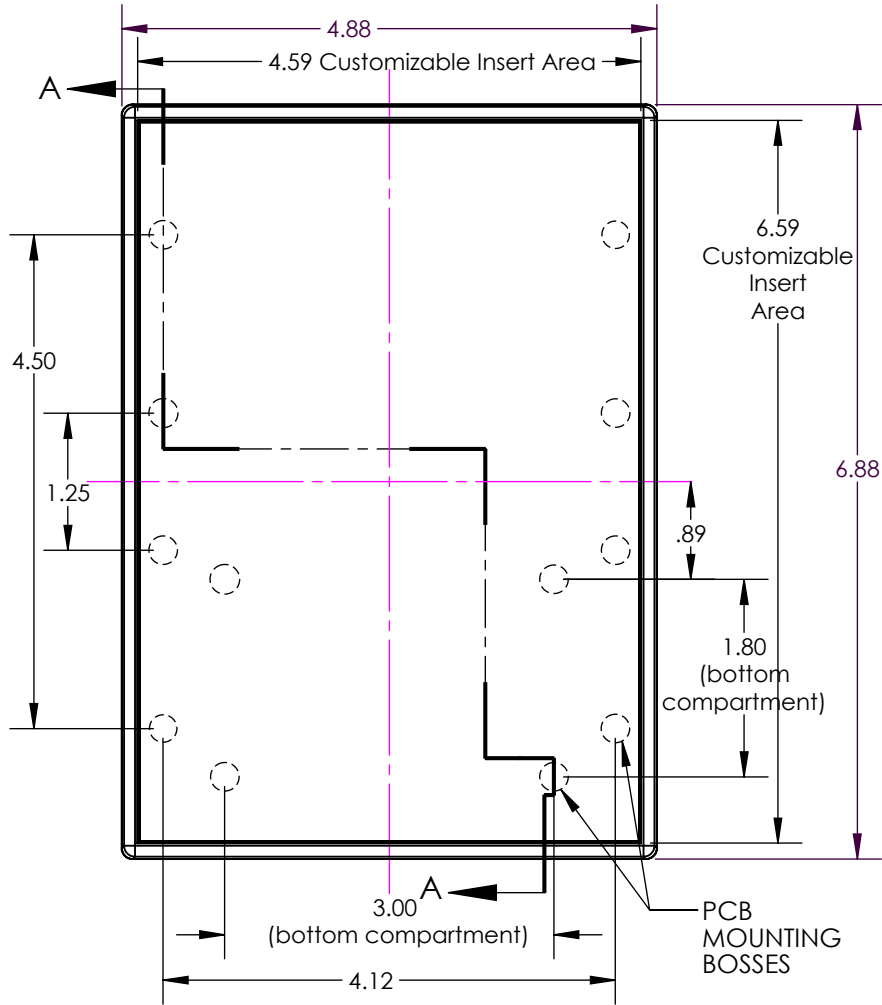
PART NO.	DESCRIPTION (Included)	ACCESSORIES (Optional)
7-2C	Top Clear	PART NO. DESCRIPTION
179V	9V Bottom	50 Non-skid Feet
1026	Access Door	SK7 Seal Kit for 17X
6005	#4X3/8" Self-Tapping Screw (10)	
72	Single Battery contact (2)	

Notes: Enclosure weight .47 lb / 214 g
 1) Enclosure meets or exceeds IP40 and NEMA 1
 2) When used with SK7 the enclosure meets or exceeds IP 67 and NEMA 4X, 12 and 13 MIL-STD-810G 506.5 (.03 lb / 14 g)
 3) Circuit Board drawings see sheet 3.
 4) All components are RoHS Compliant.

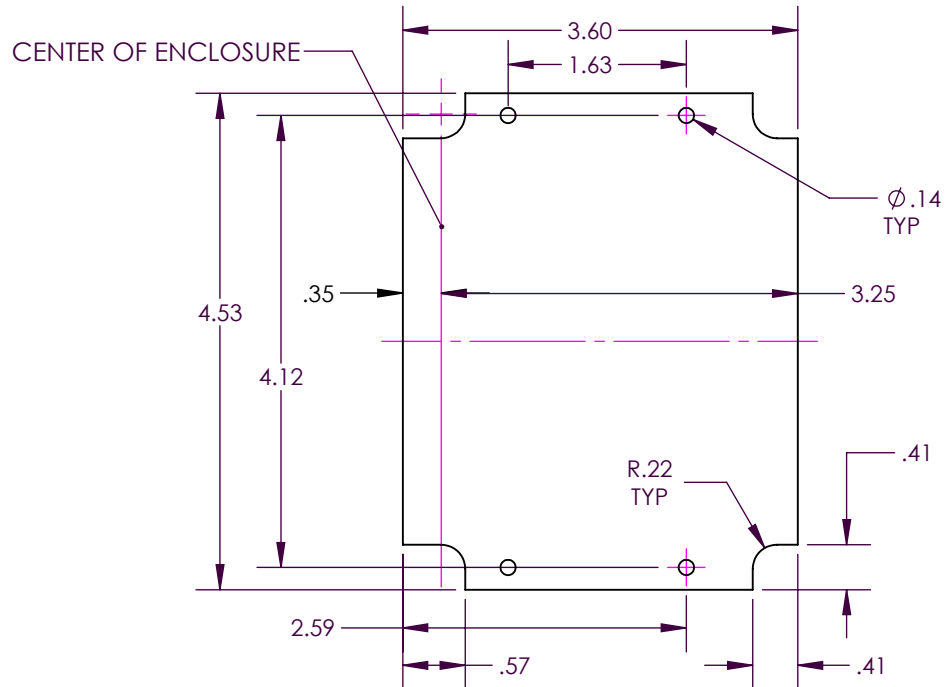


SERPAC 172C9V

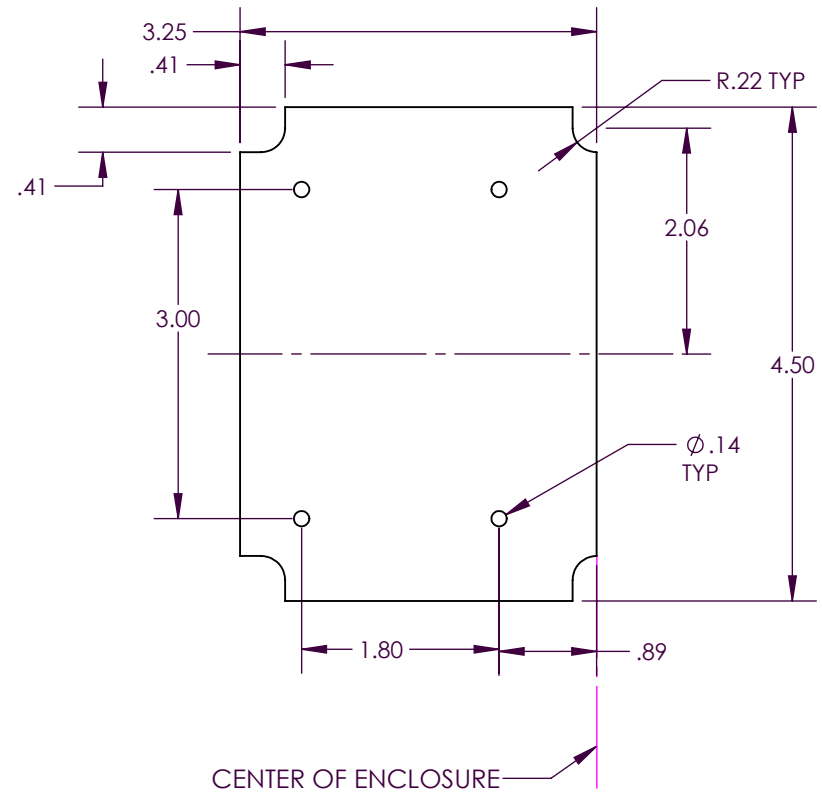
Electronic Enclosures



SMALL CIRCUIT BOARD FOR BOTTOM



CIRCUIT BOARD FOR BOTTOM



TYP CIRCUIT BOARD THICKNESS