

# Product data sheet

Specifications



## Small touchscreen display HMI, Harmony SCU, 5in7 front module Backlight LED Color TFT LCD

HMIS85

### Main

Range of product	Harmony SCU
Product or component type	Small touchscreen display HMI
Display size	5.7 inch
Pixel resolution	320 x 240 pixels QVGA

### Complementary

Display type	with backlit LED colour TFT LCD
Touch panel	Analogue
Backlight lifespan	50000 hours with 65536 colours
Brightness	16 levels via touch panel
View angle horiz x vert	60° left 60° right 40° top 60° bottom
Character font	Korean Chinese (simplified Chinese) ASCII Taiwanese (traditional Chinese) Japanese (ANK, Kanji)
Height	129.15 mm
Width	163 mm
Depth	129.4 mm
Net weight	0.405 kg


### Packing Units

Package 1 Weight	0.702 kg
Package 1 Height	55.000 mm
Package 1 width	185.000 mm
Package 1 Length	270.000 mm

### Offer Sustainability

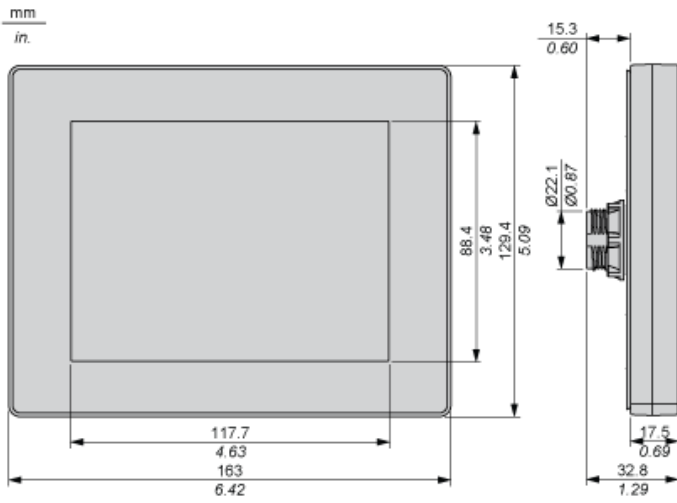
Sustainable offer status	Green Premium product
REACH Regulation	<a href="#">REACH Declaration</a>
EU RoHS Directive	Pro-active compliance (Product out of EU RoHS legal scope)

---

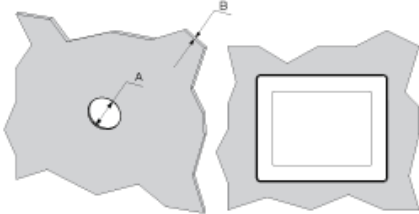
<b>Mercury free</b>	Yes
<b>RoHS exemption information</b>	<a href="#">Yes</a>
<b>China RoHS Regulation</b>	<a href="#">China RoHS declaration</a>
<b>WEEE</b>	The product must be disposed on European Union markets following specific waste collection and never end up in rubbish bins
<b>California proposition 65</b>	WARNING: This product can expose you to chemicals including: Lead and lead compounds, which is known to the State of California to cause cancer and birth defects or other reproductive harm. For more information go to <a href="http://www.P65Warnings.ca.gov">www.P65Warnings.ca.gov</a>
<b>Upgradeability</b>	<a href="#">Upgradeable through digital modules and upgraded components</a> 

---

## Dimensions of 5.7-inches Display Module



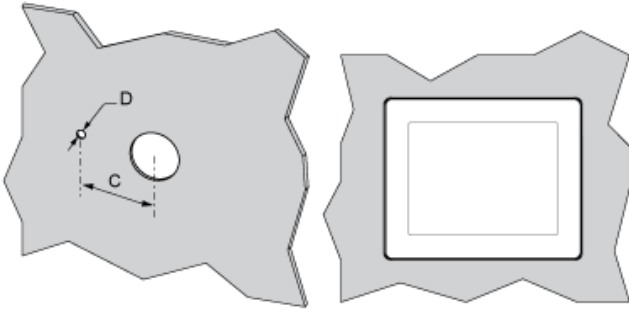
**Mounting Without an Anti-Rotation Tee**



A	B (1)	B (2)
22.50 <sup>0/-0.30</sup> mm (0.88 <sup>0/-0.01</sup> in.)	1.5...6 mm (0.06...0.23 in.)	3...6 mm (0.11...0.23 in.)

**Mounting With an Anti-Rotation Tee**

---



C	D
$30^{0/-0.20}$ mm ( $1.18^{0/-0.0007}$ in.)	$4^{0/-0.20}$ mm ( $0.15^{0/-0.007}$ in.)