

# Product data sheet

Specifications



Touch panel screen, Harmony ST6, 4"W display, 1COM, 1Ethernet, USB host&device, 24 VDC

HMIST6200

## Main

Range of product	Harmony ST6
Product or component type	Touch panel screen
Software designation	EcoStruxure Operator Terminal Expert
Processor name	ARM Cortex-A8

## Complementary

Display size	4 inch
Display type	Colour TFT LCD
Display colour	16 million colours
Display resolution	480 x 272 pixels
Touch panel	Single touch analogue resistive
Backlight lifespan	50000 hours with white
Brightness	16 levels
Character font	ASCII ASCII (European characters) Chinese (simplified Chinese) Japanese (ANK, Kanji) Katakana Korean Taiwanese (traditional Chinese)
[Us] rated supply voltage	24 V DC (+/- 20 %)
Inrush current	30 A
Local signalling	Status LED green, steady for offline Status LED green, steady for operating Status LED green, flashing for operating Status LED green, faded for stand-by Status LED orange, flashing for software starting up Status LED red, steady for power supply (ON) Status LED red, flashing for operating Status LED red, off for power supply (OFF)
Power consumption in W	6.9 W
Number of pages	200 application pages
Processor frequency	800 MHz
Port Ethernet	10/100BASE
Memory description	Device memory 512 MB User data memory 128 MB Backup memory 512 kB

<b>Integrated connection type</b>	1 COM1 serial link - 1 SUB-D 9-pin female - RS232C/RS485 (rate: 2400...115200 bps)bottom COM1 serial link (rate: 2400...187500 bps)back 1 USB 2.0 type Aback 1 USB 2.0 type micro Bbottom 1 Ethernet - female RJ45 - RS485
<b>Supply</b>	External supply
<b>Realtime clock</b>	Built-in 0...50 °C Built-in 10...90 % RH
<b>Downloadable protocols</b>	Modbus Uni-TE Third party protocols
<b>Product brand</b>	Schneider Electric Modicon Mitsubishi Melsec Omron Sysmac Rockwell Automation Allen-Bradley Siemens Simatic
<b>Fixing mode</b>	By 2 screws, mounting on 1.6...5 mm thick panel conforming to UL 61010-2-201 By 2 screws conforming to EN 61131-2 By 2 screws conforming to IEC 61000-6-2
<b>Enclosure material</b>	PC
<b>Front material</b>	Aluminium
<b>Marking</b>	CE
<b>Cut-out dimensions</b>	118.5 x 92.5 mm panel cut dimension
<b>Height</b>	108.5 mm
<b>Width</b>	134.5 mm
<b>Depth</b>	43 mm
<b>Net weight</b>	0.4 kg

## Environment

<b>Immunity to microbreaks</b>	2 ms
<b>Standards</b>	EN 61000-6-4 EN 61000-6-2 EN 61131-2 UL 61010-2-201 CSA C22.2 No 61010-2-201
<b>Product certifications</b>	CSA CE
<b>Directives</b>	2014/35/EU - low voltage directive 2014/30/EU - electromagnetic compatibility
<b>Ambient air temperature for operation</b>	0...50 °C
<b>Ambient air temperature for storage</b>	-20...60 °C
<b>Relative humidity</b>	10...90 % non-condensing
<b>Operating altitude</b>	2000 m
<b>IP degree of protection</b>	IP20 (rear panel) conforming to IEC 61131-2 IP65 (front panel) conforming to IEC 61131-2
<b>NEMA degree of protection</b>	NEMA 4 front panel (indoor use) NEMA 13 front panel (in enclosure)
<b>Shock resistance</b>	147 m/s <sup>2</sup> for 11 ms (X, Y, Z directions for 10 cycles (approx. 100 min)) conforming to EN/IEC 61131-2
<b>Vibration resistance</b>	+/- 3.5 mm (f = 5...9 Hz) X, Y, Z directions for 10 cycles (approx. 100 min) conforming to EN/IEC 61131-2 9.8 m/s <sup>2</sup> (f = 9...150 Hz)
<b>Electromagnetic compatibility</b>	Electrical fast transient/burst immunity test - test level: 2 kV (power ports) conforming to IEC 61000-4-4 Electrical fast transient/burst immunity test - test level: 1 kV (signal ports) Electrostatic discharge immunity test - test level: 6 kV (contact discharge) conforming to EN/IEC 61000-4-2 level 3 Electrostatic discharge immunity test - test level: 8 kV (air discharge)

## Packing Units

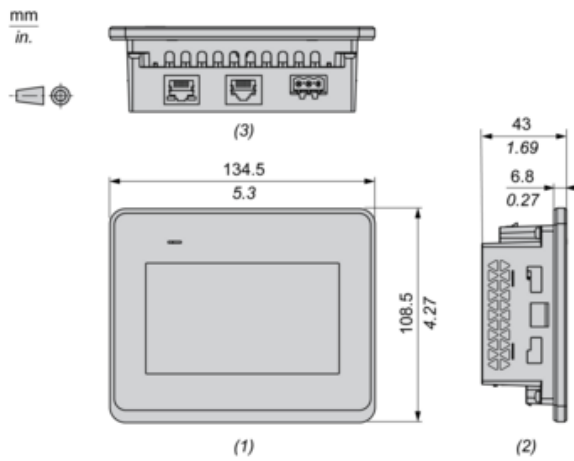
Unit Type of Package 1	PCE
Number of Units in Package 1	1
Package 1 Weight	447 g
Package 1 Height	8 cm
Package 1 width	13.6 cm
Package 1 Length	18.4 cm
Unit Type of Package 2	S03
Number of Units in Package 2	12
Package 2 Weight	5.99 kg
Package 2 Height	30 cm
Package 2 width	30 cm
Package 2 Length	40 cm

## Offer Sustainability

Sustainable offer status	Green Premium product
REACH Regulation	<a href="#">REACH Declaration</a>
EU RoHS Directive	Pro-active compliance (Product out of EU RoHS legal scope) <a href="#">EU RoHS Declaration</a>
Mercury free	Yes
RoHS exemption information	<a href="#">Yes</a>
China RoHS Regulation	<a href="#">China RoHS declaration</a>
Environmental Disclosure	<a href="#">Product Environmental Profile</a>
Circularity Profile	<a href="#">End of Life Information</a>
WEEE	The product must be disposed on European Union markets following specific waste collection and never end up in rubbish bins
California proposition 65	WARNING: This product can expose you to chemicals including: Lead and lead compounds, which is known to the State of California to cause cancer and birth defects or other reproductive harm. For more information go to <a href="http://www.P65Warnings.ca.gov">www.P65Warnings.ca.gov</a>

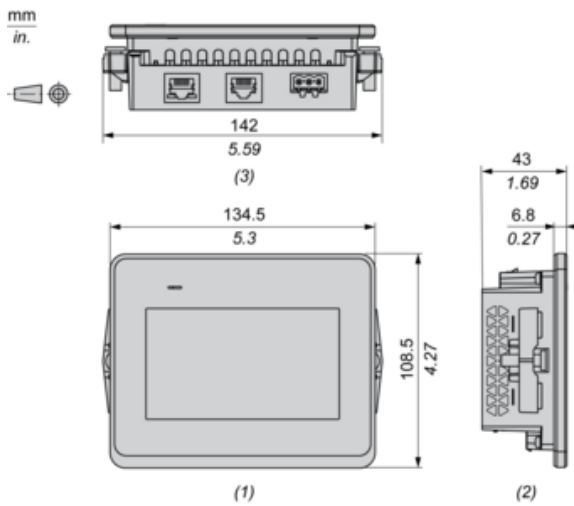
**Dimensions**

**External Dimensions**



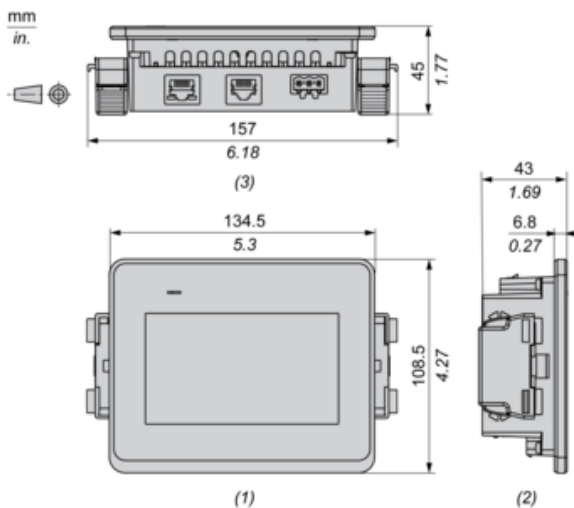
- (1) : Front
- (2) : Left
- (3) : Bottom

**Dimensions with Installation Fasteners**



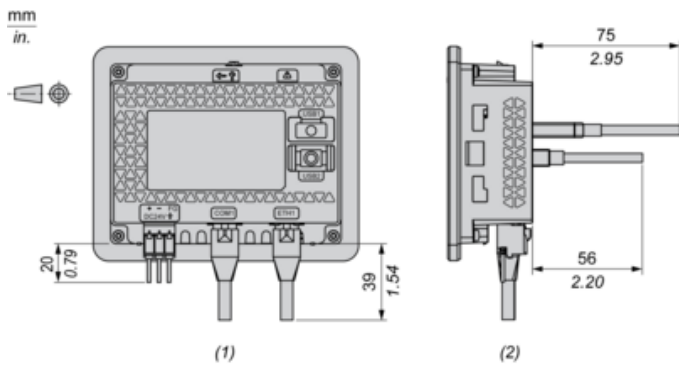
- (1) : Front
- (2) : Left
- (3) : Bottom

**Dimensions with Spring Clips**



- (1) : Front
- (2) : Left
- (3) : Bottom

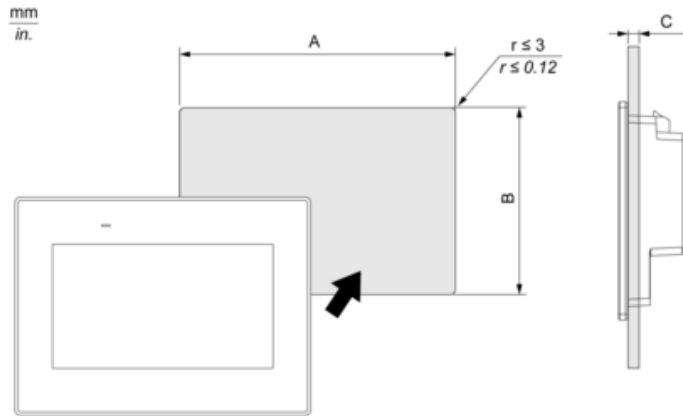
## Dimensions with Cables



- (1) : Rear
- (2) : Right

**Mounting**

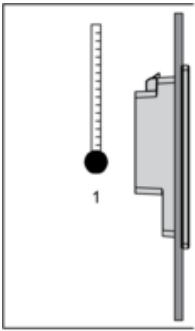
**Panel Cut Dimensions**



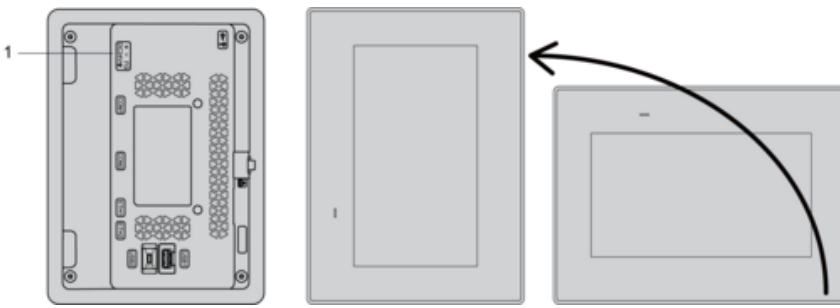
A		B		C Installing with spring			
				Position 1		Position 2	
mm	in.	mm	in.	mm	in.	mm	in.
118.5 (+1, -0)	4.67 (+0.04, -0)	92.5 (+1, -0)	3.64 (+0.04, -0)	1.5...4	0.06...0.16	4...6	0.16...0.24

**Installation Requirements**

---

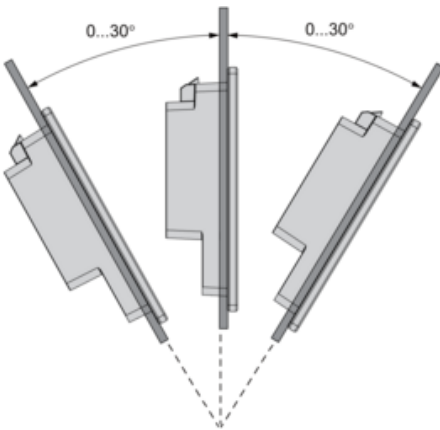


- 1 : Internal temperature
- 2 : External temperature



- 1 : Power connector

**Mounting Angle**



**Clearance**

