

# Earhook Condenser Microphone with Hirose 4 Pin

**PULSE**



## Description

Far more unobtrusive than headband-based systems and very popular particularly in theatres and with costumes, because extensive hairstyles will not be affected. For speech applications which require the simultaneous use of headphones, the earhook system is more comfortable to wear and more flexible to use.

## Features

- Highly sensitive condenser microphone
- Wide transmission range
- Flexible microphone stem allows you to easily adjust the microphone's position
- Different connector types available
- Supplied with windshield/pop noise head

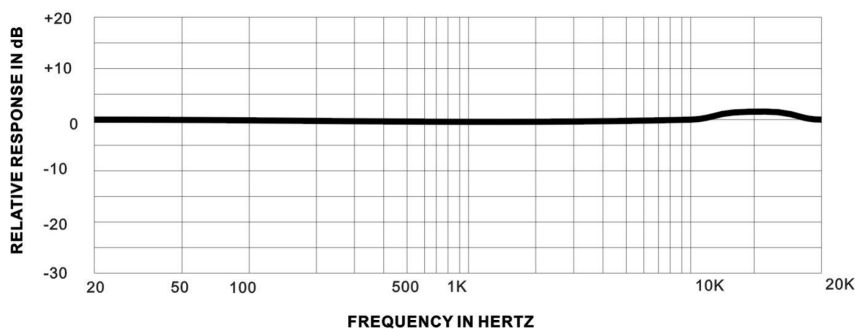
## Specifications

Element	: Electret Condenser
Directional Characteristics	: Omni-directional
Frequency	: 20Hz to 20,000Hz
Impedance	: 1500 $\Omega$ $\pm$ 30% (at 1000Hz)
Sensitivity	: -67dB $\pm$ 3dB (0db=1 V/microbar 1000Hz indicated by open circuit)
Operating Voltage	: DC 1V to 10V (RL=2.2k $\Omega$ )
Max. Input Sound Level	: 115dB SPL, 1kHz at 1%T.H.D

## Mechanical

Dimension	: $\varnothing$ 4 $\times$ 11mm (Capsule Housing)
Boom	: $\varnothing$ 1 $\times$ 150mm
Wire	: $\varnothing$ 1.5 $\times$ 1.3m with 4 Pin Hirose Audio Technical

## Frequency Response Curve



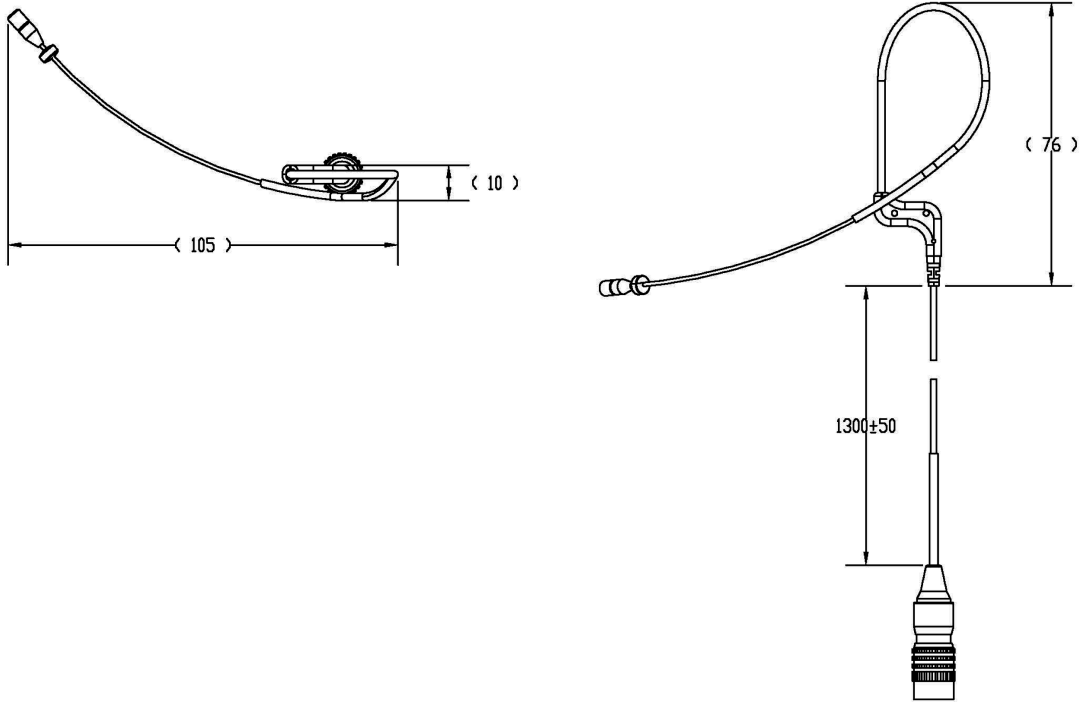
Newark.com/b/Pulse  
Farnell.com/b/Pulse  
sg.element14.com/b/pulse

**PULSE**

# Earhook Condenser Microphone with Hirose 4 Pin

**PULSE**

## Diagram



## Part Number Table

Description	Part Number
Earhook Condenser Microphone with Hirose 4 Pin	MIC-1000HRS

Dimensions : Millimetres

**Important Notice :** This data sheet and its contents (the "Information") belong to the members of the AVNET group of companies (the "Group") or are licensed to it. No licence is granted for the use of it other than for information purposes in connection with the products to which it relates. No licence of any intellectual property rights is granted. The Information is subject to change without notice and replaces all data sheets previously supplied. The Information supplied is believed to be accurate but the Group assumes no responsibility for its accuracy or completeness, any error in or omission from it or for any use made of it. Users of this data sheet should check for themselves the Information and the suitability of the products for their purpose and not make any assumptions based on information included or omitted. Liability for loss or damage resulting from any reliance on the Information or use of it (including liability resulting from negligence or where the Group was aware of the possibility of such loss or damage arising) is excluded. This will not operate to limit or restrict the Group's liability for death or personal injury resulting from its negligence. PULSE is the registered trademark of Premier Farnell Limited 2019.

Newark.com/b/Pulse  
 Farnell.com/b/Pulse  
 sg.element14.com/b/pulse

**PULSE**