

# 45 WATT CONSTANT VOLTAGE LED DRIVER

## POWERPAX: PAX2445TD

### Features:

- Constant Voltage Output
- IP44 Rated
- Class II
- Compact Plastic Low Profile enclosure
- 2 Year Warranty



### Description:

Range of 45 Watt Constant Voltage LED Drivers are housed in a compact light weight high quality IP44 plastic enclosure with covered input & output terminals suitable for general Indoor LED applications

Specification	
Part Number	PAX2445TD
Output Voltage Rating	24Vdc
Output Current Range	1.8A
Rated Power	45 Watt
Dimensions	170 x 50 x 31mm
Input Voltage Range	180V ~ 240VAC
Input Voltage Frequency	50-60Hz
Input power	<0.95
Efficiency	>80%
Over Load Protection	Auto-recovery
Short Circuit Protection	Auto-recovery
Over Voltage Protection	Auto-recovery
Automatically Restart	Yes
Operating Temperature	-30°C ~ +45°C
Storage Temperature	-40°C ~ +70°C
Relative Humidity	5% to 95%
MTBF	50K hr
EMI Standard	Meets Emissions to EN55022, EN55015 Class B
Safety Standards	Design refers to EN60598, EN61547, ENV5024, EN61000-4-2, 3, 4, 6, 8,11, EN61000-3-2, EN61000-3-3

## POWERPAX

### General Note

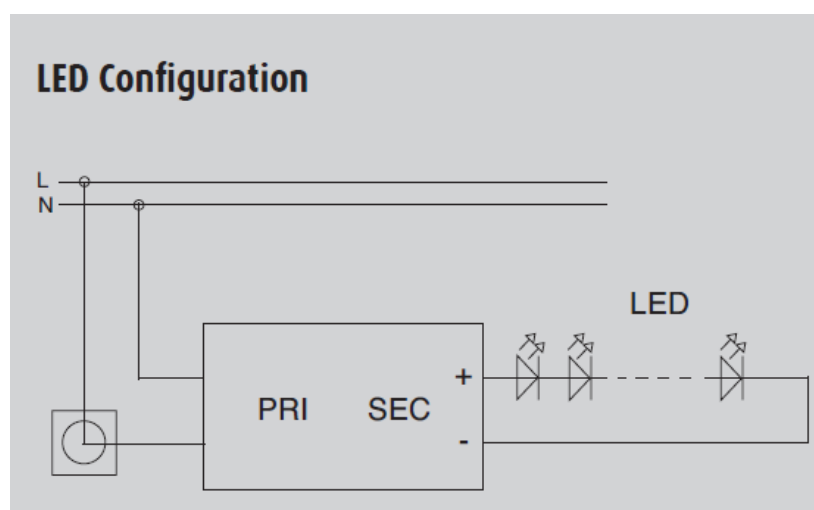
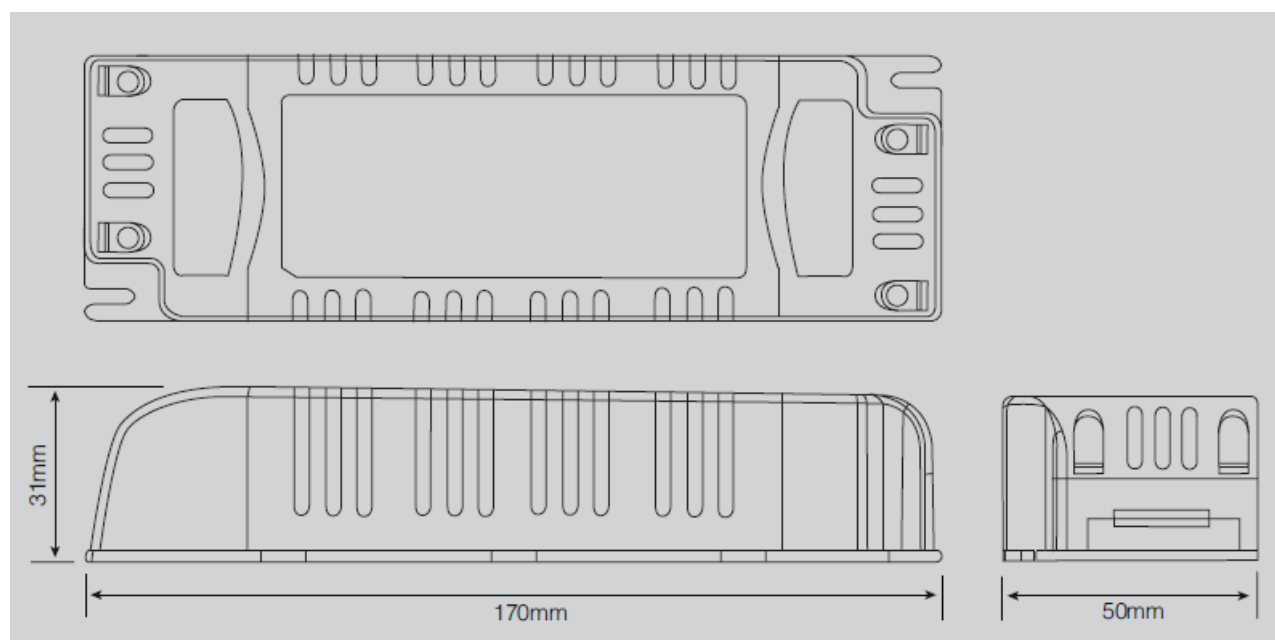
TT Electronics reserves the right to make changes in product specification without notice or liability. All information is subject to TT Electronics' own data and is considered accurate at time of going to print.

TT Electronics IoT Solutions Ltd  
Tofts Farm East, Brenda Road, Hartlepool, TS25 2BQ, UK  
t: +44 (0) 1429 852 500

# 45 WATT CONSTANT VOLTAGE LED DRIVER

POWERPAX: PAX2445TD

## Diagrams



#### General Note

TT Electronics reserves the right to make changes in product specification without notice or liability. All information is subject to TT Electronics' own data and is considered accurate at time of going to print.

## POWERPAX