

EXTERNAL DESKTOP POWER SUPPLY 12VDC 60WATT

POWERPAX: SW3101F-C2



Features:

- Universal Input
- IEC-320-C8 Input Connector
- 3 Year Warranty
- Efficiency Level VI

Description:

Our Range of 60 Watt AC/DC switch mode power supplies provide 60 watts of continuous output power in a high quality compact enclosure suitable for many general power applications.

Specification	
Part Number	SW3101F-C2
Input Voltage Range	90 → 264 V ac
Input Frequency Range	47 → 63Hz
Input Connector	IEC 320-C8
Input Current Rated	≤55mA Rms Max
Inrush Current	NO Damage
	<0.25mA.
Efficiency	89%
Input Power(Output: No Load)	<0.1W (CEC & DOE LEVEL VI Compliant)
Output Voltage Rating	12 V dc
Output Current Range	5.0A
Output Min Current	0.05A
Output Connection Type	2.1 x 5.5 x 12 mm Centre Positive - Straight
Line and Load Regulation	+/-5%
Over Voltage Protection	The output voltage shall be clamped by internal protection.
Over Load Protection	Meet FCC Class B, CE
Short Circuit Protection	Output shut down auto recover
Ripple Voltage	150 mV (p-p) (100V-240V AC Input)
Hi-Pot	3000Vac or 4242VDC 10mA 1 min
Safety Approved	UL,CUL,GS,CE
EMI Standard	<6.6A output load
Operating Temperature Range	0°C → +40°C
Storage Temperature	-20°C → +80°C
Operating Humidity	10% to 90%
Storage Humidity	10% to 90%
Dimensions	(L) 125 x (W) 57 x (H) 34.7mm
Product Weight	300 g
Regulator Type	Switched Mode Power Supply

General Note

TT Electronics reserves the right to make changes in product specification without notice or liability. All information is subject to TT Electronics' own data and is considered accurate at time of going to print.

POWERPAX

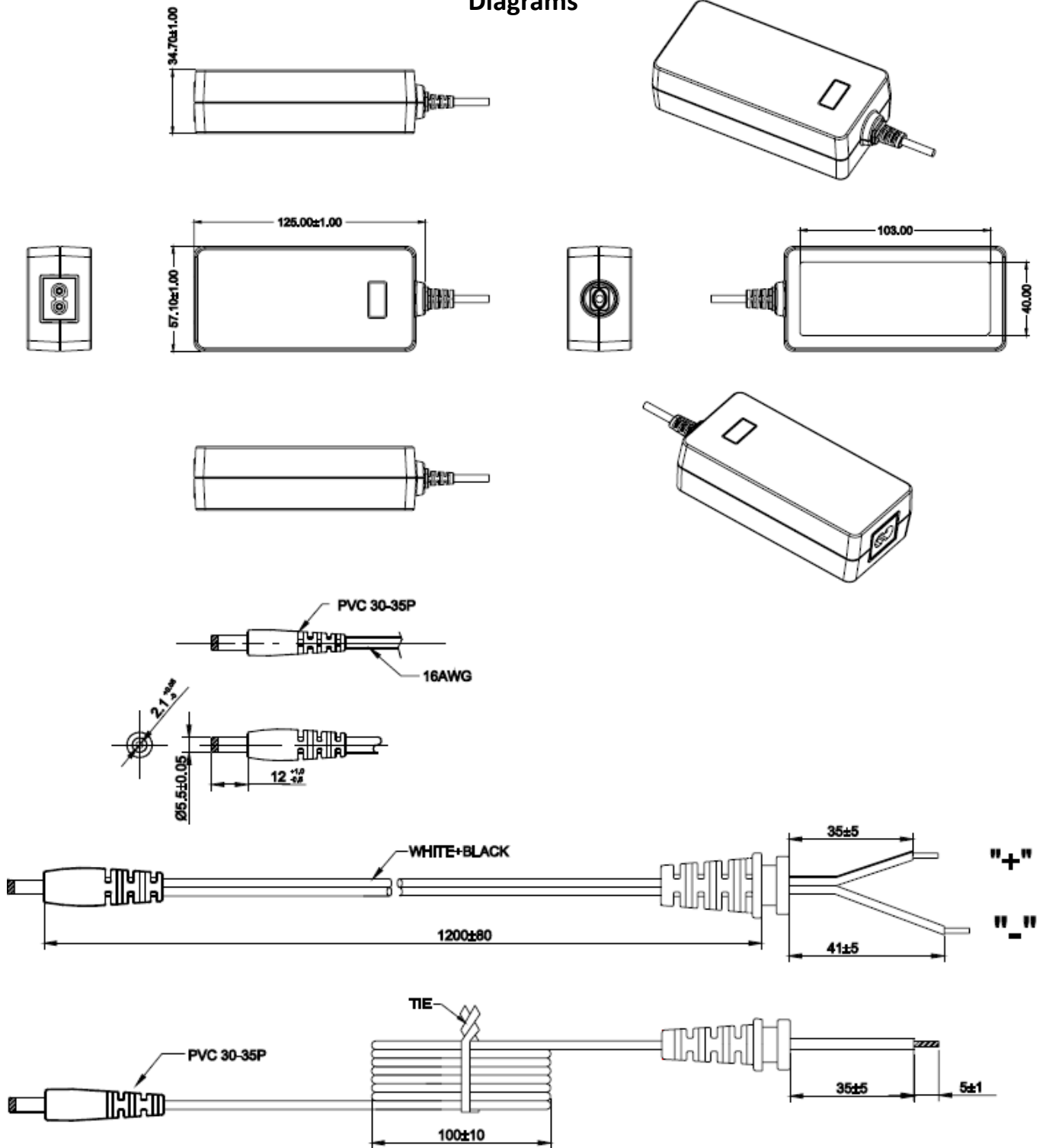
TT Electronics IoT Solutions Ltd
Tofts Farm East, Brenda Road, Hartlepool, TS25 2BQ, UK
t: +44 (0) 1429 852 500

EXTERNAL DESKTOP POWER SUPPLY 12VDC 60WATT

POWERPAX: SW3101F-C2



Diagrams



General Note

TT Electronics reserves the right to make changes in product specification without notice or liability. All information is subject to TT Electronics' own data and is considered accurate at time of going to print.

POWERPAX

TT Electronics IoT Solutions Ltd
Tofts Farm East, Brenda Road, Hartlepool, TS25 2BQ, UK
t: +44 (0) 1429 852 500