

UNITED KINGDOM 3-PIN PLUG-IN MULTI VOLTAGE POWER SUPPLY



POWERPAX: SW4177-1500

Features:

- United Kingdom Fixed AC Head
- 1 Year Warranty
- Level VI Efficiency
- CE Approved



Description:

Our Range of Class II 18 Watt Max. AC/DC United Kingdom plug-in power supplies provide maximum 18 Watts of continuous power in a compact fixed wall plug enclosure suitable for use in many general power applications.

Specification	
Part Number	SW4177-1500
Input Voltage Range	100-240Vac
Input Frequency Range	50-60Hz
Input Full Load Current	0.35A
Input Power	22W Max.
Output Voltage Rating	3.0/4.5/5.0/6.0/7.5/9.0/12.0V dc $\pm 10\%$
Output Current Range	1.5A
Output Min Current	0A
Output Connection Type	2.5mm, 3.5mm, 5.5x2.1mm, 5.5x2.5mm, 3.5x1.35mm, 4x1.7mm
Total Output Power	18W Max.
Line and Load Regulation	0.5 % Input (90 to 264 Vac output loaded at full load)
Noise Test Bandwidth	20MHz. Each output bypassed by a 10uF
Efficiency	COMPLIED with CEC-400-2006-002-REV1 Efficiency level IV.
Protection	Over Current Over Voltage Over Power Short Circuit L.P.S (Limits for power source)
Operating Temperature	0°C to 25°C
Storage Temperature	-20°C to 60°C
Operating Humidity	20% to 85%
Storage Humidity	10% to 90%
Hi-Pot	3000Vac 5mA 50/60Hz
Safety Standard	GS
EMC Standard	CE
MTBF	50K Hours
Size mm max.	82 (L) x 51 (W) x 65.1 (H)
Weight	160g
Regulator Type	Switched Mode Power Supply

General Note

TT Electronics reserves the right to make changes in product specification without notice or liability. All information is subject to TT Electronics' own data and is considered accurate at time of going to print.

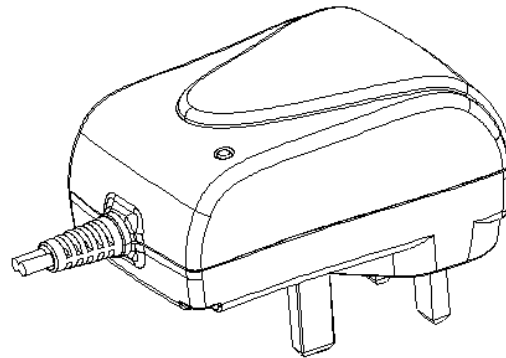
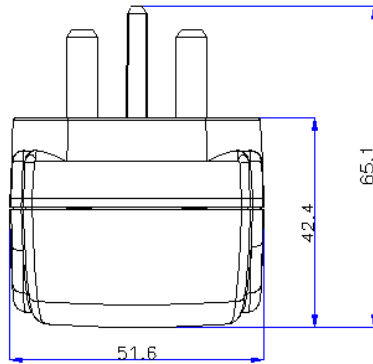
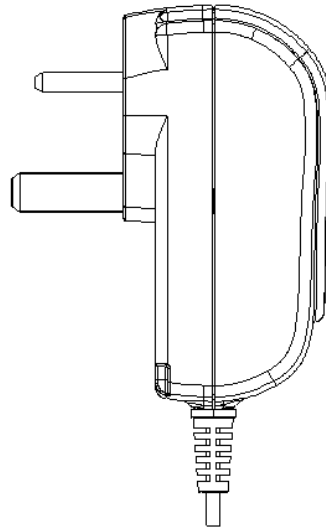
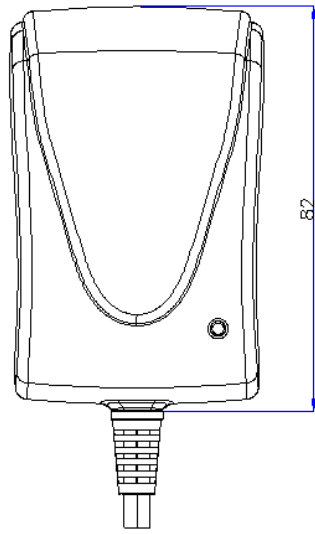
POWERPAX

TT Electronics IoT Solutions Ltd
Tofts Farm East, Brenda Road, Hartlepool, TS25 2BQ, UK
t: +44 (0) 1429 852 500

UNITED KINGDOM 3-PIN PLUG-IN MULTI VOLTAGE POWER SUPPLY

POWERPAX: SW4177-1500

Diagrams



General Note

TT Electronics reserves the right to make changes in product specification without notice or liability. All information is subject to TT Electronics' own data and is considered accurate at time of going to print.

POWERPAX

TT Electronics IoT Solutions Ltd
Tofts Farm East, Brenda Road, Hartlepool, TS25 2BQ, UK
t: +44 (0) 1429 852 500