

2377783-1 ✓ ACTIVE

TE Internal #: 2377783-1

Housing for Male Terminals, Wire-to-Wire, 36 Position, .165 in / .157 in [4 mm / 4.2 mm] Centerline, Brown, Wire & Cable, Power & Signal, Bulkhead

[View on TE.com >](#)



Connectors > Automotive Connectors > Connector Housings



Connector & Housing Type: **Housing for Male Terminals**

Mating Tab Width: **1.6 mm [ .063 in ]**

Connector System: **Wire-to-Wire**

Number of Positions: **36**

Centerline (Pitch): **4 mm, 4.2 mm [ .157 in, .165 in ]**

## Features

### Product Type Features

Connector & Housing Type	Housing for Male Terminals
Connector System	Wire-to-Wire
Sealable	No
Hybrid Connector	No
Primary Locking Feature	Locking Lance
Connector & Contact Terminates To	Wire & Cable

### Configuration Features

Number of Positions	36
Number of Rows	4

### Electrical Characteristics

Nominal Voltage Architecture	36 V
------------------------------	------

### Body Features

Cable Exit Angle	180°
Body Material	PA GF



Primary Product Color	Brown
-----------------------	-------

Connector Code	A
----------------	---

### Contact Features

Mating Tab Width	1.6 mm[.063 in]
------------------	-----------------

### Mechanical Attachment

Connector Mounting Type	Bulkhead
-------------------------	----------

### Housing Features

Centerline (Pitch)	4 mm, 4.2 mm[.157 in][.165 in]
--------------------	--------------------------------

### Usage Conditions

Operating Temperature (Max)	120 °C[248 °F]
-----------------------------	----------------

Operating Temperature Range	-40 – 120 °C[-40 – 248 °F]
-----------------------------	----------------------------

### Operation/Application

Circuit Application	Power & Signal
---------------------	----------------

### Industry Standards

UL Flammability Rating	UL 94HB
------------------------	---------

### Other

Serviceable	Yes
-------------	-----

Connector Position Assurance Capable	No
--------------------------------------	----

### Product Compliance

[For compliance documentation, visit the product page on TE.com>](#)

EU RoHS Directive 2011/65/EU	Compliant
------------------------------	-----------

EU ELV Directive 2000/53/EC	Compliant
-----------------------------	-----------

China RoHS 2 Directive MIIT Order No 32, 2016	No Restricted Materials Above Threshold
---	---

EU REACH Regulation (EC) No. 1907/2006	Current ECHA Candidate List: JAN 2022 (223) Candidate List Declared Against: JUL 2021 (219) SVHC > Threshold: Not Yet Reviewed
--	---

Halogen Content	BFR/CFR/PVC Free, but Br/Cl >900 ppm in other sources.
-----------------	--

Solder Process Capability	Not reviewed for solder process capability
---------------------------	--

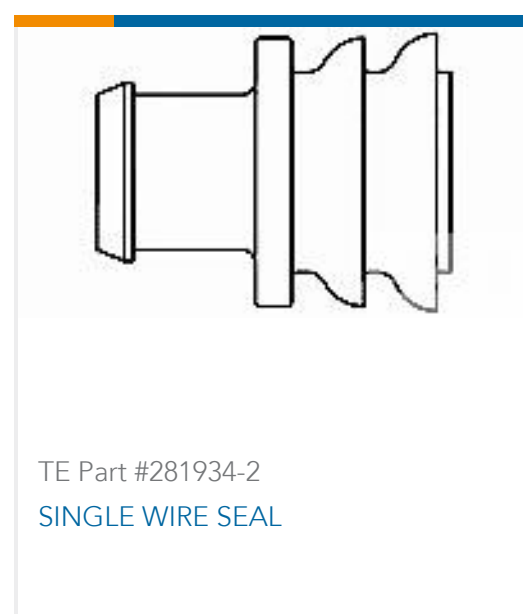
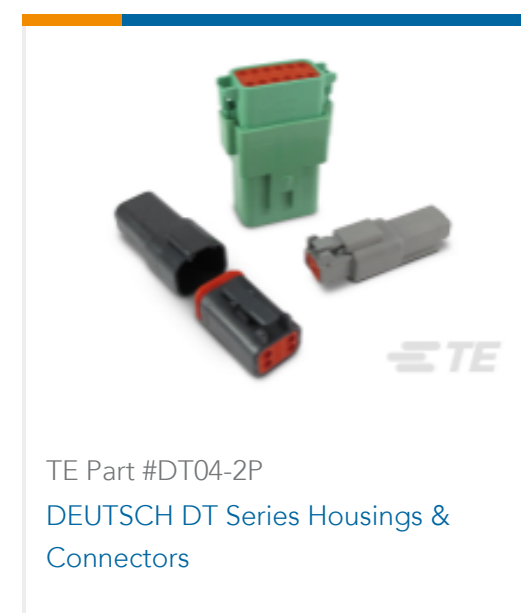
## Product Compliance Disclaimer

This information is provided based on reasonable inquiry of our suppliers and represents our current actual knowledge based on the information they provided. This information is subject to change. The part numbers that TE has identified as EU RoHS compliant have a maximum concentration of 0.1% by weight in homogenous materials for lead, hexavalent chromium, mercury, PBB, PBDE, DBP, BBP, DEHP, DIBP, and 0.01% for cadmium, or qualify for an exemption to these limits as defined in the Annexes of Directive 2011/65/EU (RoHS2). Finished electrical and electronic equipment products will be CE marked as required by Directive 2011/65/EU. Components may not be CE marked. Additionally, the part numbers that TE has identified as EU ELV compliant have a maximum concentration of 0.1% by weight in homogenous materials for lead, hexavalent chromium, and mercury, and 0.01% for cadmium, or qualify for an exemption to these limits as defined in the Annexes of Directive 2000/53/EC (ELV). Regarding the REACH Regulation, the information TE provides on SVHC in articles for this part number is based on the latest European Chemicals Agency (ECHA) 'Guidance on requirements for substances in articles' posted at this URL: <https://echa.europa.eu/guidance-documents/guidance-on-reach>

## Compatible Parts



## Customers Also Bought



## Documents

## Product Drawings

36POS,AMP MCP 1.5K,TAB HSG ASSY,UNSLD

English

## CAD Files



**3D PDF**

3D

**Customer View Model**

[ENG\\_CVM\\_CVM\\_2377783-1\\_A.2d\\_dxf.zip](#)

English

**Customer View Model**

[ENG\\_CVM\\_CVM\\_2377783-1\\_A.3d\\_igs.zip](#)

English

**Customer View Model**

[ENG\\_CVM\\_CVM\\_2377783-1\\_A.3d\\_stp.zip](#)

English

By downloading the CAD file I accept and agree to the [Terms and Conditions](#) of use.

**Product Specifications**

[Application Specification](#)

English