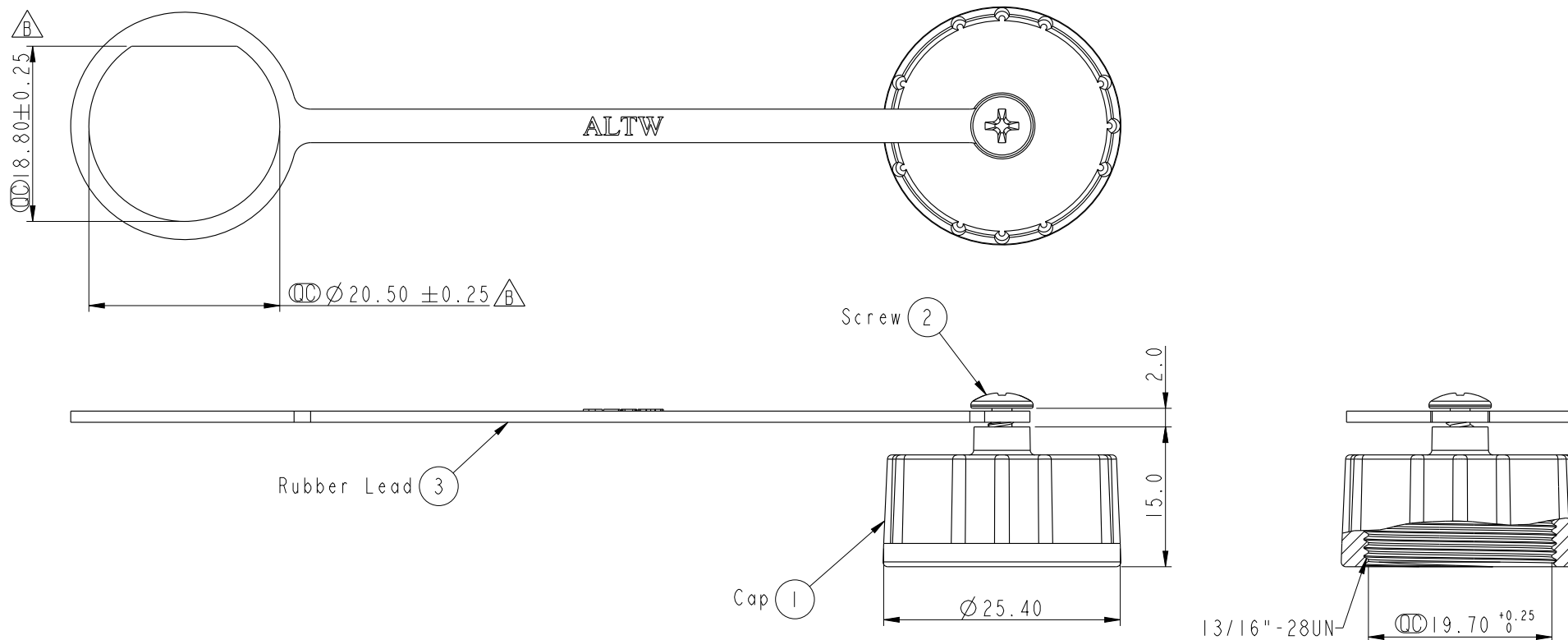


REV.	ECN NO.	DATE	SIGN	DESCRIPTION
B	LE31510470	2015/01/26	Mafei	Change The Chain Material From PVC to TPES.



ALTW
CONFIDENTIAL
2015-01-26
R&D DEPT.

ALTW
DCC. DEPT.
CONFIDENTIAL
2015.02.02
ISSUED

- Note:
- * \varnothing Important Dimension To Check.
 - * Waterproof Rate: IP67.
 - * Cap: Nylon+GF, Black.
 - * Gasket: EPDM, Black.
 - * Rubber Lead: TPES, Black.
 - * Screw os not allowed to tight (Chain be revolve)
不可將螺絲鎖緊 (Rubber Lead 要可旋轉)

UNIT: mm		
TOLERANCE	.X	±0.25
	.XX	±0.1
	.XXX	±0.05
ANGLES		±1°

TITLE Waterproof Cap For Male Conn. C Size Screw Type			
SCALE	3:2	SIZE	A4
REV.	B	WC-REV.	A.3
		SHEET	1 OF 1
		\varnothing : Inspection item	

Amphenol LTW
安費諾亮泰企業股份有限公司

ITEM NO	CAP-WACMSPC1	DRAWN BY	Mafei	DATE	2015-01-26
DWG NO	CAP-WACMSPC1	CHECKED BY	Arthur	DATE	2015-01-26
CUSTOMER	ALTW	APPROVED BY	Jerry	DATE	2015-01-26

THIS DOCUMENT IS SUBJECT TO CHANGE WITHOUT NOTICE. IT IS CONFIDENTIAL AND A PROPERTY OF AMPHENOL LTW. DISCLOSURE TO THIRD PARTY HAS TO BE AUTHORIZED BY AMPHENOL LTW.