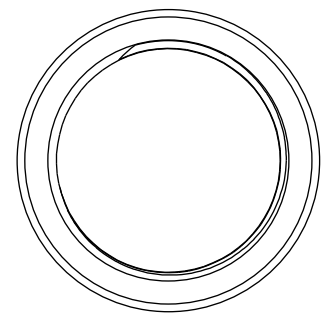
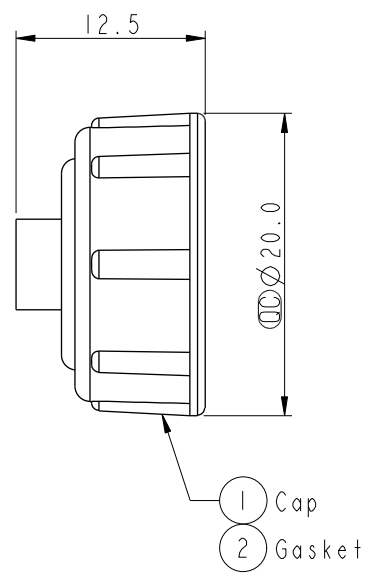
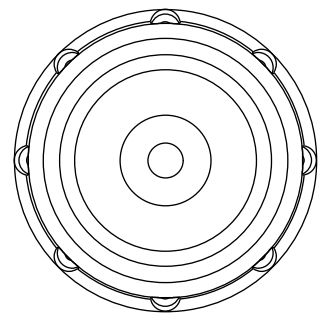


THIS DOCUMENT IS SUBJECT TO CHANGE WITHOUT NOTICE. IT IS CONFIDENTIAL AND A PROPERTY OF AMPHENOL LTW. DISCLOSURE TO THIRD PARTY HAS TO BE AUTHORIZED BY AMPHENOL LTW.

REV.	ECN NO.	DATE	SIGN	DESCRIPTION
A	Initial Release	2013/09/11	Vicky	Old Item No. CAP-WABPMSAI

ALTW
 CONFIDENTIAL
 2013-09-11
 R&D DEPT.



ALTW
 DCC. DEPT.
 CONFIDENTIAL
 2013.09.12
 ISSUED

- Notes:
- * \varnothing Important Dimension.
 - * Waterproof Rate: IP67
 - * Cap: Nylon+GF, Black
 - * Gasket: EPDM, Black

UNIT: mm		
TOLERANCE		
.X	±0.25	
.XX	±0.1	
.XXX	±0.05	
ANGLES	±1°	

TITLE Standard Size Waterproof Cap 5/8"-27UNS Screw Type, For M Conn		
SCALE 2:1	SIZE A4	SHEET 1 OF 1
REV. A	WC-REV. A.1	\varnothing : Inspection item

Amphenol LTW
 安費諾亮泰企業股份有限公司

ITEM NO. CAP-WABMSMAI	DRAWN BY Vicky	DATE 2013-09-11
DWG NO. CAP-WABMSMAI	CHECKED BY Sam	DATE 2013-09-11
CUSTOMER ALTW	APPROVED BY Rita	DATE 2013-09-11