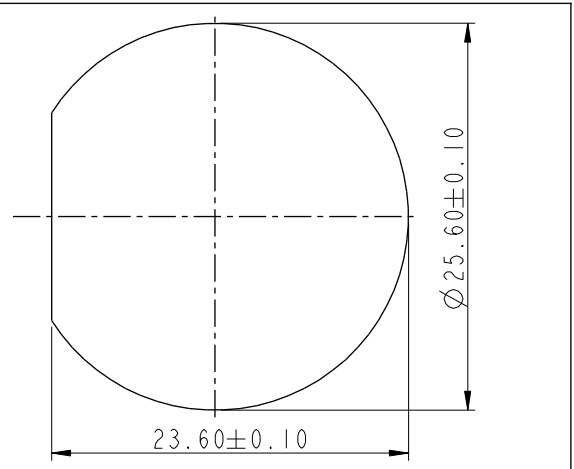
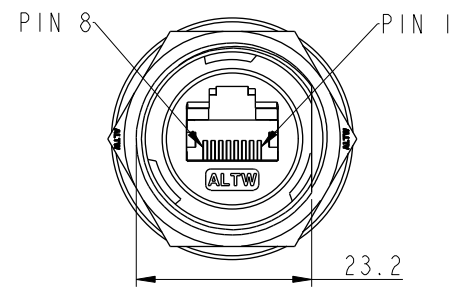
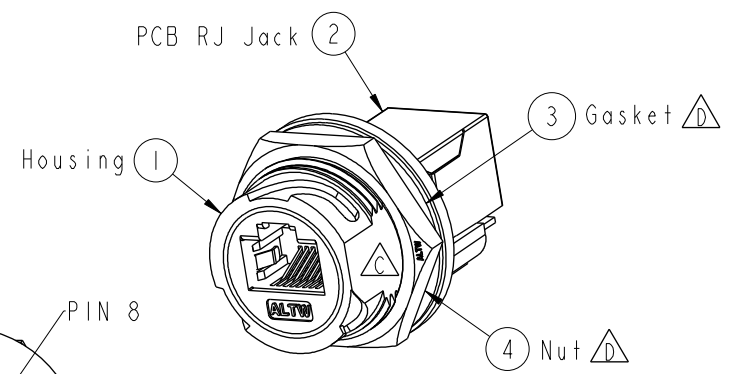
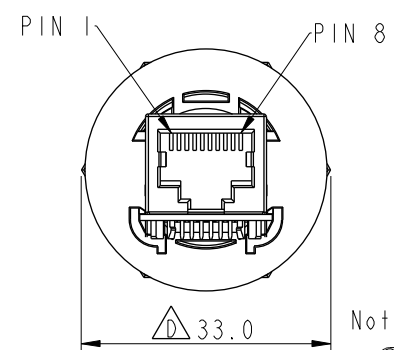
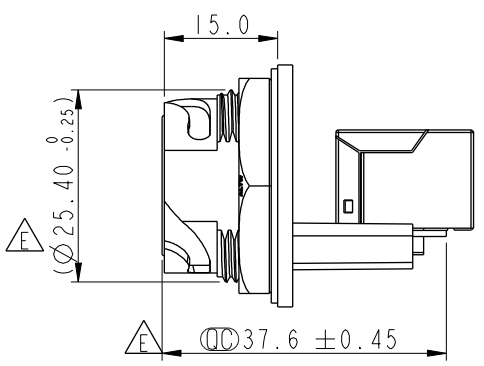
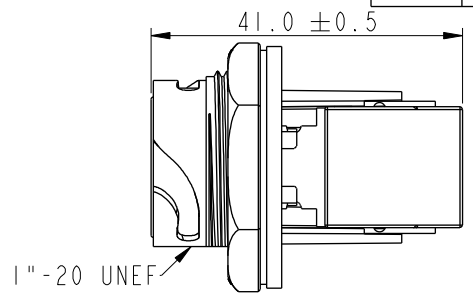
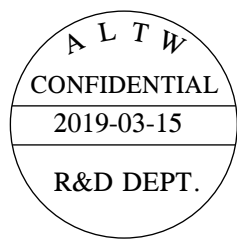


THIS DOCUMENT IS SUBJECT TO CHANGE WITHOUT NOTICE. IT IS CONFIDENTIAL AND A PROPERTY OF AMPHENOL LTW. DISCLOSURE TO THIRD PARTY HAS TO BE AUTHORIZED BY AMPHENOL LTW.

REV.	ECN NO.	DATE	SIGN	DESCRIPTION
E	LEN1810059	2017-11-29	Jalam	Change The Tolerance
F	CI90405	2019/03/15	Ruru	Modify Note



Recommended Panel Cut-out Rear View



- Note: \triangle
- * CC Important Dimension
 - * Waterproof Rate : IP67, Unmated
 - * Housing: Thermoplastic, Black
 - * Nut: Thermoplastic, Black
 - \triangle * Gasket: Rubber, Gray
 - * PCB: FR-4
 - \triangle * Jack: Thermoplastic, Black
 - * Use with waterproof cap or dust cap for Panel Thickness Max: 1.3mm
 - * Use without waterproof cap or dust cap for Panel Thickness Max: 2.5mm
 - * Screw torsion value range: 8~15kgf-cm
 - * Gasket and Nut are packed separately in PE bags

UNIT : mm		TITLE		ITEM NO		DRAWN BY		DATE		
		RJ45, D SIZE, WATERPROOF		RDP-5SPFFH-TCU7001		Ruru		2019-03-15		
TOLERANCE	.X ±0.25 .XX ±0.1 .XXX ±0.05 ANGLES ±1°	SCALE	SIZE	SHEET	DWG NO	CHECKED BY	DATE			
		1:1	A4	1	1	RDP-5SPFFH-TCU7001	Rita	2019-03-15		
		REV.	WC-REV.	CC : Inspection item		CUSTOMER	APPROVED BY	DATE		
		F	B.7			ALTW	Max	2019-03-15		

Amphenol LTW
安費諾亮泰企業股份有限公司