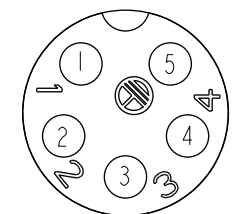
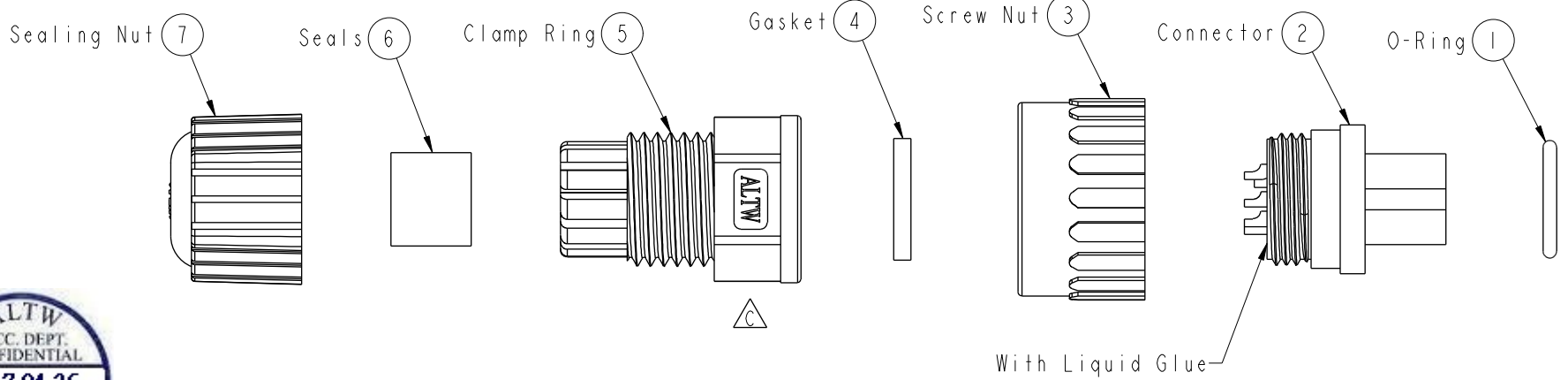
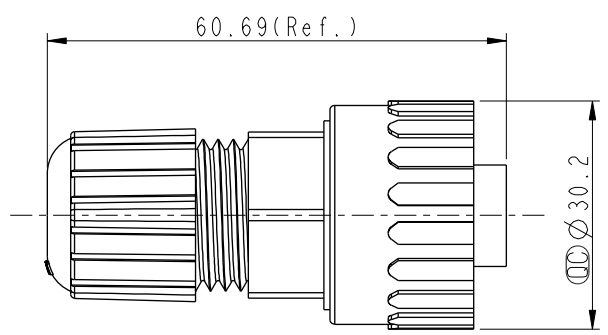


THIS DOCUMENT IS SUBJECT TO CHANGE WITHOUT NOTICE. IT IS CONFIDENTIAL AND A PROPERTY OF Amphenol LTW. DISCLOSURE TO THIRD PARTY HAS TO BE AUTHORIZED BY Amphenol LTW.

REV.	ECN NO.	DATE	SIGN	DESCRIPTION
B	LEN-870137	2008/07/25	Yuri	Update Drawing
C	LEN1741288	2017/04/14	Vicky	Update Logo



Pin Assignments  
Front View



- Note:
- \*  $\varnothing$  Important Dimension
  - \* Waterproof Rate: IP67
  - \* Seals for Cable OD:  $\varnothing 5.5\text{mm} \sim \varnothing 10.8\text{mm}$   
(防水墊圈限用線徑:  $\varnothing 5.5\text{mm} \sim \varnothing 10.8\text{mm}$ )
  - \* One Set Unassembled in One LTW Sealed Bag  
(每一組未組裝, 放置於一個 Amphenol LTW 封口袋)
  - \* Housing: Nylon+GF, Black
  - \* Female Pin: Copper Alloy, Gold Plated
  - $\triangle B$  \* O-Ring: EPDM, Black
  - \* Screw Nut: Nylon+GF, Black
  - $\triangle B$  \* Gasket: Silicone, Black
  - \* Clamp Ring: Nylon, Black
  - \* Seals: EPDM, Black
  - \* Sealing Nut: Nylon, Black
  - \* Liquid Glue: Claer

A	UNIT:mm		TITLE Power, Assy Screw 5Pin F Conn F Pin		ITEM NO PWE-05BFFA-SL7001	DRAWN BY Vicky	DATE 2017-04-14
	TOLERANCE	$\pm 0.5 \text{ mm}$	SCALE 1:1	SIZE A4	DWG NO PWE-05BFFA-SL7001	CHECKED BY Rita	DATE 2017-04-14
			REV. C	WC-REV. A.1	CUSTOMER ALTW	APPROVED BY Max	DATE 2017-04-14
					$\varnothing$ : Inspection item		
			<b>Amphenol LTW</b> 安費諾亮泰企業股份有限公司				