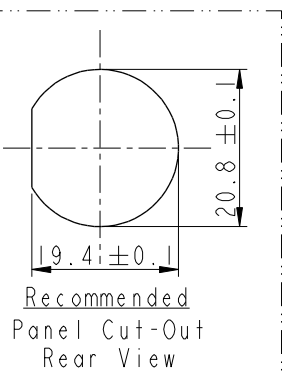
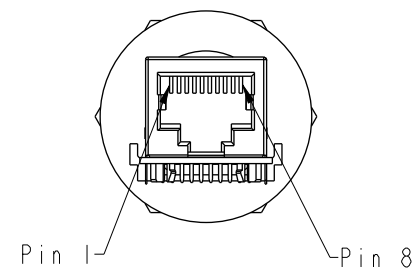
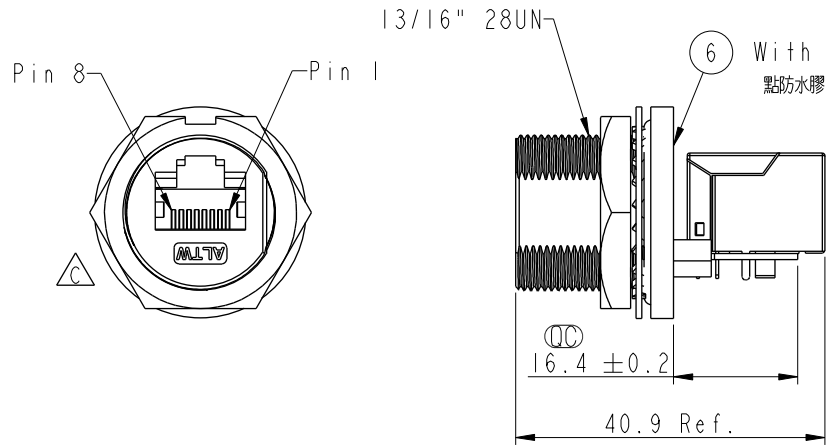
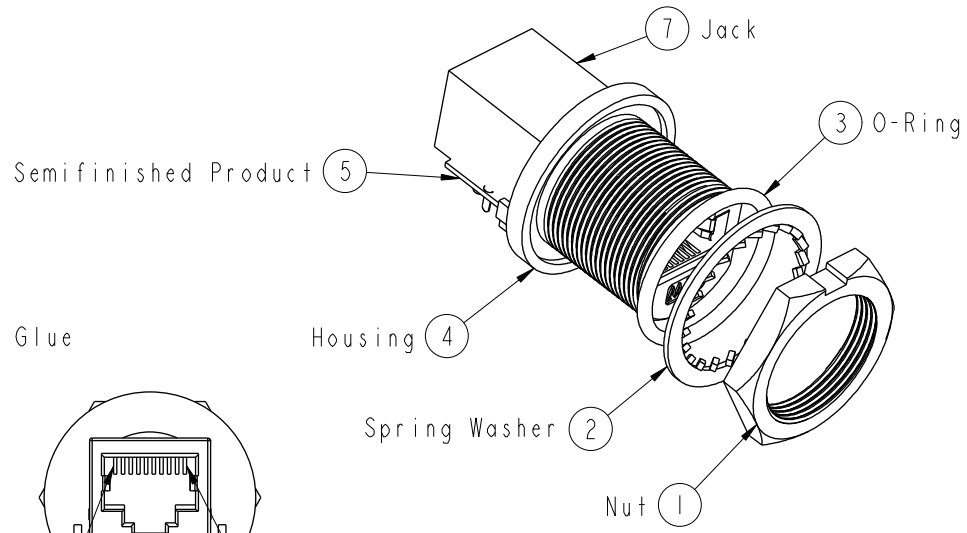
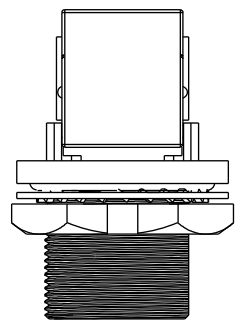
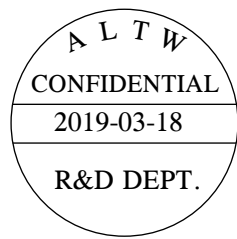


THIS DOCUMENT IS SUBJECT TO CHANGE WITHOUT NOTICE. IT IS CONFIDENTIAL AND A PROPERTY OF Amphenol LTW. DISCLOSURE TO THIRD PARTY HAS TO BE AUTHORIZED BY Amphenol LTW.

REV.	ECN NO.	DATE	SIGN	DESCRIPTION
B	LEN1460066	2014/06/18	Tom	Change Panel Thickness
C	CI80506	2018-12-03	Ouyang	Change Loge
D	CI90405	2019/03/18	Ruru	Modify Note



Note: \triangle D
 * CC Important Dimension
 * Waterproof Rate: IP67, Unmated
 * Nut: Metal, Nickel Plated
 * Spring Washer: Metal
 * O-Ring: Rubber, Gray-Black
 * Housing: Metal, Nickel Plated
 \triangle B * Use With Waterproof Cap Or Dust Cap
 For Panel Thickness Max: 3.0mm
 \triangle B * Use Without Waterproof Cap Or Dust Cap
 For Panel Thickness Max: 4.2mm
 * Recommend Force: 8-10kg-cm
 * Nut are packed separately in PE bags



UNIT:mm TOLERANCE .X ±0.25 .XX ±0.1 .XXX ±0.05 ANGLES ±1°		TITLE RJ45,C SIZE,JACK 180SIDE UNMATED WATERPROOF			ITEM NO RCM-5SPFFH-SCU7001		DRAWN BY Ruru		DATE 2019-03-18			
		SCALE 1:1			SIZE A4		SHEET 1 OF 1		CHECKED BY Rita		DATE 2019-03-18	
		REV. D			WC-REV. A.8		CC : Inspection item		APPROVED BY Max		DATE 2019-03-18	
		CUSTOMER ALTW			Amphenol LTW 安費諾亮泰企業股份有限公司			DATE 2019-03-18				