

Model SSF212

The SSF212 series is a horizontally mounted switch that is mounted externally in the side of the tank, with a 1/2" NPT (fits 1/2" BSP) thread.

They are manufactured in 304 grade Stainless Steel, for those liquids and environments that require the use of Stainless Steel and will work in liquids of SG 0.8 minimum.

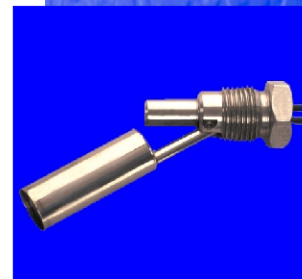
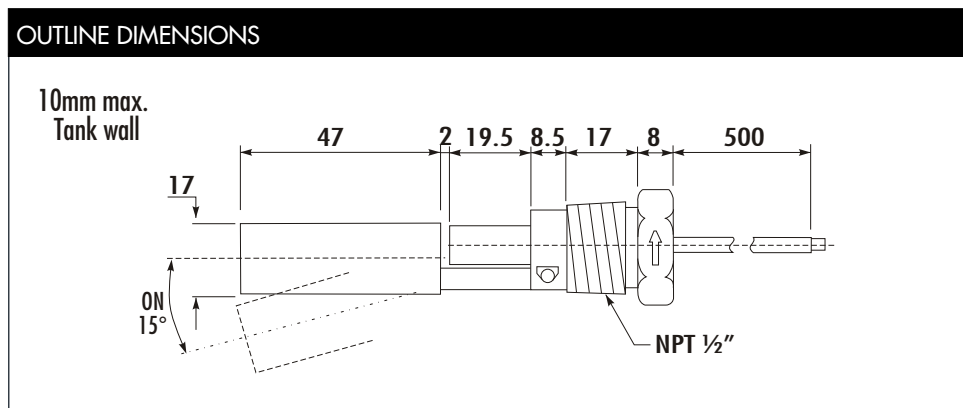
The switch action may be reversed by mounting the device with the orientation arrow pointing downwards, instead of the normal upwards direction.

Crydom Part No : SSF212X050

TECHNICAL SPECIFICATIONS			
Mounting style	External	Cable length - standard	500mm
Mounting thread	1/2" NPT	Cable size	17/0.10 - AWG22
Float & Stem material	304 grade	Cable conductor material	Tinned copper
Maximum Temperature	120°C	Cable sheath material	XLPE
Maximum Pressure	5 bar	Cable temperature rating	125°C
Float SG	0.7	Sealing gasket	Not supplied
Minimum fluid SG	0.8	Tightening torque for fixing nut	N/A

ELECTRICAL SPECIFICATIONS	
Contact type	N/O or N/C
Switching Power VA	50
Switching current max A	0.5
Switching voltage AC	300
Switching voltage DC	300
Breakdown voltage min DC	600

All ratings are for resistive load only



- *Stainless steel*
- *External mounting*
- *Compact design*
- *Temperature range to 120°C*
- *User configurable N/O or N/C action*

Crydom Magnetics Ltd
 7 Cobham Road
 Ferndown Industrial Estate
 Wimborne
 Dorset BH21 7PE
 Tel: +44 (0) 1202 897969
 Fax: +44 (0) 1202 891918
 magnetics@crydom.com
 www.crydom.co.uk