

## High-performance 3-Axis SmartIndustrial™ Accelerometer

### MEMS Device for Industrial Applications

#### GENERAL DESCRIPTION

The IIM-42352 is a 3-axis accelerometer packaged in a small 2.5 mm x 3 mm x 0.91 mm (14-pin LGA) package.

The IIM-42352 includes multiple capabilities to enable easy, robust and accurate inertial and vibration measurements in Industrial applications:

- Wide and flat frequency response range: from dc to 4 kHz ( $\pm 3$  dB point)
- Low noise: 70  $\mu\text{g}/\sqrt{\text{Hz}}$
- Low power: 0.3 mA with all 3-axes delivering full performance
- Output data rate up to 32 kHz
- Highly accurate external clock input to increase ODR accuracy, reduce system level sensitivity error, and improve measurement impacts from device to device variation.
- 2 KB FIFO that can lower the traffic on the serial bus interface and reduce power consumption by allowing the system processor to burst read sensor data and then go into a low-power mode
- Wake-on-motion interrupt for low power operation of applications processor
- Operating temperature range:  $-40^{\circ}\text{C}$  to  $105^{\circ}\text{C}$

The host interface can be configured to support I3C<sup>SM</sup> slave, I<sup>2</sup>C slave, or SPI slave modes. The I3C<sup>SM</sup> interface supports speeds up to 12.5 MHz (data rates up to 12.5 Mbps in SDR mode, 25 Mbps in DDR mode), the I<sup>2</sup>C interface supports speeds up to 1 MHz, and the SPI interface supports speeds up to 24 MHz.

The device features an operating voltage range from 3.6V down to 1.71V.

#### ORDERING INFORMATION

PART NUMBER	TEMPERATURE	PACKAGE
IIM-42352†	$-40^{\circ}\text{C}$ to $+105^{\circ}\text{C}$	14-pin LGA

†Denotes RoHS and Green-compliant package

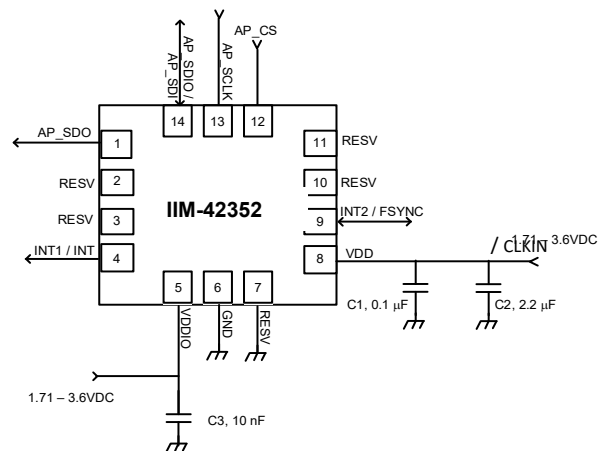
#### APPLICATIONS

- Vibration measurement
- Predictive maintenance
- Tilt sensing
- Platform stabilization
- Robotics

#### FEATURES

- Digital-output X-, Y-, and Z-axis accelerometer with programmable full-scale range of  $\pm 2g$ ,  $\pm 4g$ ,  $\pm 8g$  and  $\pm 16g$
- User-programmable interrupts
- I3C<sup>SM</sup> / I<sup>2</sup>C / SPI slave host interface
- Digital-output temperature sensor
- External clock input supports highly accurate clock input from 31 kHz to 50 kHz
- Small and thin package: 2.5 mm x 3 mm x 0.91 mm (14-pin LGA)
- 20,000g shock tolerant
- MEMS structure hermetically sealed and bonded at wafer level
- RoHS and Green compliant

#### TYPICAL OPERATING CIRCUIT



Application Schematic (SPI Interface to Host)

#### LONGEVITY COMMITMENT

To provide the best service for customers developing products with a long-life cycle we have designed and engineered products with longevity in mind. These products are designed for harsher environments and are tested and manufactured to higher accuracy and stability. <https://invensense.tdk.com/longevity/>



## TABLE OF CONTENTS

	Longevity Commitment .....	<b>Error! Bookmark not defined.</b>
	General Description .....	1
	Ordering Information .....	1
	Applications .....	1
	Features .....	1
	Typical Operating Circuit .....	1
1	Introduction .....	8
	1.1 Purpose and Scope .....	8
	1.2 Product Overview .....	8
	1.3 Applications .....	8
2	Features .....	9
	Accelerometer Features .....	9
	2.1 Motion Features .....	9
	2.2 Additional Features .....	9
3	Electrical Characteristics .....	10
	3.1 Accelerometer Specifications .....	10
	3.2 Electrical Specifications .....	11
	3.3 I <sup>2</sup> C Timing Characterization .....	13
	3.4 SPI Timing Characterization – 4-Wire SPI Mode .....	14
	3.5 SPI Timing Characterization – 3-Wire SPI Mode .....	15
	3.6 RTC (CLKIN) Timing Characterization .....	16
	3.7 Absolute Maximum Ratings .....	17
4	Applications Information .....	18
	4.1 Pin Out Diagram and Signal Description .....	18
	4.2 Typical Operating Circuit .....	19
	4.3 Bill of Materials for External Components .....	20
	4.4 System Block Diagram .....	21
	4.5 Overview .....	21
	4.6 Three-Axis MEMS Accelerometer with 16-bit ADCs and Signal Conditioning .....	21
	4.7 I3C <sup>SM</sup> , I <sup>2</sup> C, and SPI Host Interface .....	21
	4.8 Self-Test .....	21
	4.9 Clocking .....	22
	4.10 Sensor Data Registers .....	22
	4.11 Interrupts .....	22
	4.12 Digital-Output Temperature Sensor .....	22
	4.13 Bias and LDOs .....	22

4.14	Charge Pump .....	22
4.15	Standard Power Modes .....	23
5	Signal Path .....	24
5.1	Summary of Parameters Used to Configure the Signal Path .....	24
5.2	Anti-Alias Filter .....	24
5.3	User Programmable Offset .....	26
5.4	UI Filter Block.....	27
5.5	ODR And FSR Selection .....	31
6	FIFO.....	33
6.1	Packet Structure .....	33
6.2	FIFO Header .....	35
6.3	Maximum FIFO Storage .....	35
6.4	FIFO Configuration Registers .....	37
7	Programmable Interrupts.....	38
8	APEX Motion Functions .....	39
8.1	APEX ODR Support.....	39
8.2	DMP Power Save Mode .....	40
8.3	Pedometer Programming .....	40
8.4	Tilt Detection Programming.....	41
8.5	Freefall Detection Programming.....	42
8.6	Tap Detection Programming.....	43
8.7	Wake on Motion Programming .....	44
8.8	Significant Motion Detection Programming .....	44
9	Digital Interface .....	46
9.1	I3C <sup>SM</sup> , I <sup>2</sup> C, and SPI Serial Interfaces.....	46
9.2	I3C <sup>SM</sup> Interface .....	46
9.3	I <sup>2</sup> C Interface .....	46
9.4	I <sup>2</sup> C Communications Protocol .....	46
9.5	I <sup>2</sup> C Terms.....	49
9.6	SPI Interface.....	49
10	Assembly .....	51
10.1	Orientation of Axes .....	51
10.2	Package Dimensions .....	52
11	Part Number Package Marking.....	54
12	Use Notes .....	55
12.1	Accelerometer Mode Transitions .....	55
12.2	Accelerometer Low Power (LP) Mode Averaging Filter Setting .....	55

12.3	Settings for I <sup>2</sup> C, I3C <sup>SM</sup> , and SPI Operation.....	55
12.4	Anti-Alias Filter Operation.....	55
12.5	external clock input effect on odr .....	56
12.6	INT_ASYNC_RESET Configuration.....	56
12.7	FIFO Timestamp Interval Scaling .....	56
12.8	Supplementary Information for FIFO_HOLD_LAST_DATA_EN.....	56
13	Register Map .....	58
13.1	User Bank 0 Register Map .....	58
13.2	User Bank 1 Register Map .....	59
13.3	User Bank 2 Register Map .....	59
13.4	User Bank 3 Register Map .....	59
13.5	User Bank 4 Register Map .....	60
13.6	Register Values Modification.....	60
14	User Bank 0 Register Map – Descriptions.....	61
14.1	DEVICE_CONFIG .....	61
14.2	DRIVE_CONFIG .....	61
14.3	INT_CONFIG.....	62
14.4	FIFO_CONFIG.....	62
14.5	TEMP_DATA1 .....	62
14.6	TEMP_DATA0 .....	63
14.7	ACCEL_DATA_X1.....	63
14.8	ACCEL_DATA_X0.....	63
14.9	ACCEL_DATA_Y1.....	63
14.10	ACCEL_DATA_Y0.....	63
14.11	ACCEL_DATA_Z1.....	64
14.12	ACCEL_DATA_Z0.....	64
14.13	TMST_FSYNCH.....	64
14.14	TMST_FSYNCL.....	64
14.15	INT_STATUS.....	65
14.16	FIFO_COUNTH .....	65
14.17	FIFO_COUNTL .....	65
14.18	FIFO_DATA.....	65
14.19	APEX_DATA0 .....	66
14.20	APEX_DATA1 .....	66
14.21	APEX_DATA2 .....	66
14.22	APEX_DATA3 .....	66
14.23	APEX_DATA4 .....	67

14.24	APEX_DATA5 .....	67
14.25	INT_STATUS2 .....	67
14.26	INT_STATUS3 .....	68
14.27	SIGNAL_PATH_RESET .....	68
14.28	.....	68
14.29	INTF_CONFIG0 .....	69
14.30	INTF_CONFIG1 .....	70
14.31	PWR_MGMT0 .....	70
14.32	ACCEL_CONFIG0 .....	71
14.33	TEMP_FILT_CONFIG .....	71
14.34	ACCEL_FILT_CONFIG .....	72
14.35	ACCEL_CONFIG1 .....	72
14.36	TMST_CONFIG .....	73
14.37	APEX_CONFIG0 .....	73
14.38	SMD_CONFIG .....	74
14.39	FIFO_CONFIG1 .....	74
14.40	FIFO_CONFIG2 .....	74
14.41	FIFO_CONFIG3 .....	75
14.42	FSYNC_CONFIG .....	75
14.43	INT_CONFIG0 .....	76
14.44	INT_CONFIG1 .....	76
14.45	INT_SOURCE0 .....	77
14.46	INT_SOURCE1 .....	77
14.47	INT_SOURCE3 .....	78
14.48	INT_SOURCE4 .....	78
14.49	FIFO_LOST_PKT0 .....	78
14.50	FIFO_LOST_PKT1 .....	79
14.51	SELF_TEST_CONFIG .....	79
14.52	WHO_AM_I .....	79
14.53	REG_BANK_SEL .....	80
15	User Bank 1 Register Map – Descriptions .....	81
15.1	SENSOR_CONFIG0 .....	81
15.2	TMSTVAL0 .....	81
15.3	TMSTVAL1 .....	81
15.4	TMSTVAL2 .....	81
15.5	INTF_CONFIG4 .....	82
15.6	INTF_CONFIG5 .....	82

15.7	INTF_CONFIG6.....	82
16	User Bank 2 Register Map – Descriptions.....	83
16.1	ACCEL_CONFIG_STATIC2.....	83
16.2	ACCEL_CONFIG_STATIC3.....	83
16.3	ACCEL_CONFIG_STATIC4.....	83
16.4	XA_ST_DATA.....	83
16.5	YA_ST_DATA.....	84
16.6	ZA_ST_DATA.....	84
17	User Bank 3 Register Map – Descriptions.....	85
17.1	PU_PD_CONFIG1.....	85
17.2	PU_PD_CONFIG2.....	86
18	User Bank 4 Register Map – Descriptions.....	87
18.1	FDR_CONFIG.....	87
18.2	APEX_CONFIG1.....	87
18.3	APEX_CONFIG2.....	88
18.4	APEX_CONFIG3.....	88
18.5	APEX_CONFIG4.....	89
18.6	APEX_CONFIG5.....	90
18.7	APEX_CONFIG6.....	91
18.8	APEX_CONFIG7.....	92
18.9	APEX_CONFIG8.....	92
18.10	APEX_CONFIG9.....	92
18.11	APEX_CONFIG10.....	93
18.12	ACCEL_WOM_X_THR.....	93
18.13	ACCEL_WOM_Y_THR.....	94
18.14	ACCEL_WOM_Z_THR.....	94
18.15	INT_SOURCE6.....	94
18.16	INT_SOURCE7.....	95
18.17	INT_SOURCE8.....	95
18.18	INT_SOURCE9.....	96
18.19	INT_SOURCE10.....	96
18.20	OFFSET_USER4.....	96
18.21	OFFSET_USER5.....	97
18.22	OFFSET_USER6.....	97
18.23	OFFSET_USER7.....	97
18.24	OFFSET_USER8.....	97
19	SmartIndustrial Family.....	98

20	Reference .....	99
21	Revision History .....	100

## Table of Figures

Figure 1. I <sup>2</sup> C Bus Timing Diagram .....	13
Figure 2. 4-Wire SPI Bus Timing Diagram .....	14
Figure 3. 3-Wire SPI Bus Timing Diagram .....	15
Figure 4. RTC Timing Diagram .....	16
Figure 5. Pin Out Diagram for IIM-42352 2.5 mm x 3.0 mm x 0.91 mm LGA .....	19
Figure 6. IIM-42352 Application Schematic (I3C <sup>SM</sup> / I <sup>2</sup> C Interface to Host) .....	19
Figure 7. IIM-42352 Application Schematic (SPI Interface to Host) .....	20
Figure 8. IIM-42352 System Block Diagram .....	21
Figure 9. IIM-42352 Signal Path .....	24
Figure 10. FIFO Packet Structure .....	33
Figure 11. Maximum FIFO Storage .....	36
Figure 12. START and STOP Conditions .....	47
Figure 13. Complete I <sup>2</sup> C Data Transfer .....	47
Figure 14. Typical SPI Master/Slave Configuration .....	50
Figure 15. Orientation of Axes of Sensitivity and Polarity of Rotation .....	51
Figure 16. Package Dimensions .....	52
Figure 17. Part Number Package Marking .....	54

## Table of Tables

Table 1. Accelerometer Specifications .....	10
Table 2. D.C. Electrical Characteristics .....	11
Table 3. A.C. Electrical Characteristics .....	12
Table 4. I <sup>2</sup> C Timing Characteristics .....	13
Table 5. 4-Wire SPI Timing Characteristics (24-MHz Operation) .....	14
Table 6. 3-Wire SPI Timing Characteristics (24-MHz Operation) .....	15
Table 7. RTC Timing Characteristics .....	16
Table 8. Absolute Maximum Ratings .....	17
Table 9. Signal Descriptions .....	18
Table 10. Bill of Materials .....	20
Table 11. Standard Power Modes for IIM-42352 .....	23
Table 12. Parameters used to control the signal path .....	24
Table 13. I <sup>2</sup> C Terms .....	49
Table 14. Package Dimensions .....	53
Table 15. Part Number Package Marking .....	54

## 1 INTRODUCTION

### 1.1 PURPOSE AND SCOPE

This document is a product specification, providing a description, specifications, and design-related information on the IIM-42352, a 3-axis accelerometer device targeted at Industrial applications. The device is housed in a small 2.5 mm x 3 mm x 0.91 mm 14-pin LGA package.

### 1.2 PRODUCT OVERVIEW

The IIM-42352 is a 3-axis accelerometer in a small 2.5 mm x 3 mm x 0.91 mm (14-pin LGA) package. It also features a 2K-byte FIFO that can lower the traffic on the serial bus interface and reduce power consumption by allowing the system processor to burst read sensor data and then go into a low-power mode. IM-42352, with its 3-axis integration, enables manufacturers to eliminate the costly and complex selection, qualification, and system level integration of discrete devices, guaranteeing optimal motion performance for consumers.

The accelerometer supports four programmable full-scale range settings from  $\pm 2g$  to  $\pm 16g$ . It includes multiple capabilities to enable tri-axial vibration measurements in Industrial applications:

- Wide and flat frequency response range: from dc to 4 kHz ( $\pm 3$  dB point)
- Low noise: 70  $\mu g/\sqrt{Hz}$
- Low power: 0.3 mA with all 3-axes delivering full performance
- Output data rate up to 32 kHz

IIM-42352 also supports external clock input for highly accurate 31 kHz to 50 kHz clock, that helps to reduce system level sensitivity error, ODR sensitivity to temperature, and device to device variation.

Other industry-leading features include on-chip 16-bit ADCs, programmable digital filters, an embedded temperature sensor, and programmable interrupts. The device features I3C<sup>SM</sup>, I<sup>2</sup>C, and SPI serial interfaces, a VDD operating range of 1.71V to 3.6V, and a separate VDDIO operating range of 1.71V to 3.6V.

The host interface can be configured to support I3C<sup>SM</sup> slave, I<sup>2</sup>C slave, or SPI slave modes. The I3C<sup>SM</sup> interface supports speeds up to 12.5 MHz (data rates up to 12.5 Mbps in SDR mode, 25 Mbps in DDR mode), the I<sup>2</sup>C interface supports speeds up to 1 MHz, and the SPI interface supports speeds up to 24 MHz.

By leveraging its patented and volume-proven CMOS-MEMS fabrication platform, which integrates MEMS wafers with companion CMOS electronics through wafer-level bonding, InvenSense has driven the package size down to a footprint and thickness of 2.5 mm x 3 mm x 0.91 mm (14-pin LGA), to provide a very small yet high-performance low-cost package. The device provides high robustness by supporting 20,000g shock reliability.

### 1.3 APPLICATIONS

- Vibration measurement
- Predictive maintenance
- Tilt sensing
- Platform stabilization
- Robotics



## 2 FEATURES

### ACCELEROMETER FEATURES

The triple-axis MEMS accelerometer in IIM-42352 includes a wide range of features:

- Digital-output X-, Y-, and Z-axis accelerometer with programmable full-scale range of  $\pm 2g$ ,  $\pm 4g$ ,  $\pm 8g$  and  $\pm 16g$
- Low Noise (LN) and Low Power (LP) power modes support
- User-programmable interrupts
- Wake-on-motion interrupt for low power operation of applications processor
- Self-test

### 2.1 MOTION FEATURES

IIM-42352 includes the following motion features, also known as APEX (**A**dvanced **P**edometer and **E**vent Detection – neXt gen)

- Pedometer: tracks step count, also issues step detect interrupt
- Tilt Detection: issues an interrupt when the tilt angle exceeds  $35^\circ$  for more than a programmable time
- Freefall Detection: triggers an interrupt when device freefall is detected and outputs freefall duration
- Tap Detection: issues an interrupt when a tap is detected, along with the tap count
- Wake on Motion: detects motion when accelerometer data exceeds a programmable threshold
- Significant Motion Detection: detects significant motion if Wake on Motion events are detected during a programmable time window

### 2.2 ADDITIONAL FEATURES

IIM-42352 includes the following additional features:

- External clock input supports highly accurate clock input from 31 kHz to 50 kHz, helps to reduce system level sensitivity error
- 2K-byte FIFO buffer enables the applications processor to read the data in bursts
- User-programmable digital filters for accelerometer and temperature sensor
- User configurable internal pull-up/pull-downs included on I/O interfaces to reduce system costs associated with external pull-ups/pull-downs
- 12.5 MHz I3C<sup>SM</sup> (data rates up to 12.5 Mbps in SDR mode, 25Mbps in DDR mode) / 1 MHz I<sup>2</sup>C / 24 MHz SPI slave host interface
- Digital-output temperature sensor
- Smallest and thinnest LGA package for portable devices: 2.5 mm x 3 mm x 0.91 mm (14-pin LGA)
- 20,000g shock tolerant
- MEMS structure hermetically sealed and bonded at wafer level
- RoHS and Green compliant

### 3 ELECTRICAL CHARACTERISTICS

#### 3.1 ACCELEROMETER SPECIFICATIONS

Typical Operating Circuit of Section 3.2, VDD = 1.8V, VDDIO = 1.8V, T<sub>A</sub>=25°C, unless otherwise noted.

PARAMETER	CONDITIONS	MIN	TYP	MAX	UNITS	NOTES	
<b>ACCELEROMETER SENSITIVITY</b>							
Full-Scale Range	ACCEL_FS_SEL =0		±16		g	2	
	ACCEL_FS_SEL =1		±8		g	2	
	ACCEL_FS_SEL =2		±4		g	2	
	ACCEL_FS_SEL =3		±2		g	2	
ADC Word Length	Output in two's complement format		16		bits	2, 7	
Sensitivity Scale Factor	ACCEL_FS_SEL =0		2,048		LSB/g	2	
	ACCEL_FS_SEL =1		4,096		LSB/g	2	
	ACCEL_FS_SEL =2		8,192		LSB/g	2	
	ACCEL_FS_SEL =3		16,384		LSB/g	2	
Sensitivity Scale Factor Initial Tolerance	Component-level	-1	±0.5	+1	%	1, 5	
Sensitivity Change vs. Temperature	-40°C to +105°C	-0.025	±0.005	+0.025	%/°C	3, 5	
Nonlinearity	Best Fit Straight Line, ±2g	-0.2	±0.1	+0.2	%	3, 5	
Cross-Axis Sensitivity		-2.0	±1	+2.0	%	3, 5	
<b>ZERO-G OUTPUT</b>							
Initial Tolerance	Board-level, all axes	-30	±20	+30	mg	3, 5	
Zero-G Level Change vs. Temperature	-40°C to +105°C	-0.40	±0.15	+0.40	mg/°C	3, 5	
<b>OTHER PARAMETERS</b>							
Noise Power Spectral Density			70	100	µg/√Hz	1, 5	
Signal bandwidth	±3 dB bandwidth	X & Y-axis	3.65	4.0		kHz	3, 6
		Z-axis	1.4	1.65		kHz	3, 6
Low-Pass Filter Response	ODR < 1 kHz	5		500	Hz	2	
	ODR ≥ 1 kHz	42		3979	Hz	2	
Accelerometer Startup Time	From sleep mode to valid data		10	20	ms	3, 5	
Output Data Rate		12.5		32000	Hz	2	

**Table 1. Accelerometer Specifications**

**Notes:**

1. Tested in production.
2. Guaranteed by design.
3. Derived from validation or characterization of parts, not tested in production.
4. Calculated from Power Spectral Density.
5. MIN/MAX or MAX specs are derived from characterization data based 3σ calculation.
6. The recommended settings - ACCEL\_ODR =4 (16Khz); ACCEL\_AAF\_DIS=0; ACCEL\_AAF\_DELT:63; ACCEL\_AAF\_DELTSQR: 3968; ACCEL\_AAF\_BITSHIFT=3. With ACCEL\_ODR=3 (8Khz), ACCEL\_AAF\_DIS=0; ACCEL\_AAF\_DELT:63; ACCEL\_AAF\_DELTSQR: 3968; ACCEL\_AAF\_BITSHIFT=3 settings, the 3dB bandwidth would be 2 kHz (X, Y axis), 1.3 kHz (Z-axis).
7. 20-bits data format supported in FIFO, see section 6.1.

### 3.2 ELECTRICAL SPECIFICATIONS

#### 3.2.1 D.C. Electrical Characteristics

Typical Operating Circuit of Section 3.2, VDD = 1.8V, VDDIO = 1.8V, T<sub>A</sub>=25°C, unless otherwise noted.

PARAMETER	CONDITIONS	MIN	TYP	MAX	UNITS	NOTES
<b>SUPPLY VOLTAGES</b>						
VDD		1.71	1.8	3.6	V	1
VDDIO		1.71	1.8	3.6	V	1
<b>SUPPLY CURRENTS</b>						
Low-Noise Mode	3-Axis Accelerometer		0.28	0.35	mA	2, 3
Full-Chip Sleep Mode	At 25°C		7.5	10	μA	2, 3
<b>TEMPERATURE RANGE</b>						
Specified Temperature Range	Performance parameters are not applicable beyond Specified Temperature Range	-40		+105	°C	2

**Table 2. D.C. Electrical Characteristics**

**Notes:**

1. Guaranteed by design.
2. Derived from validation or characterization of parts, not tested in production.
3. MIN/MAX or MAX specs are derived from characterization data based 3σ calculation.

### 3.2.2 A.C. Electrical Characteristics

Typical Operating Circuit of Section 3.2, VDD = 1.8V, VDDIO = 1.8V, T<sub>A</sub>=25°C, unless otherwise noted.

PARAMETER	CONDITIONS	MIN	TYP	MAX	UNITS	NOTES
<b>SUPPLIES</b>						
Supply Ramp Time	Monotonic ramp. Ramp rate is 10% to 90% of the final value	0.01		3	ms	1
Power Supply Noise	Up to 10 kHz		10	50	mV peak-peak	1
<b>TEMPERATURE SENSOR</b>						
Operating Range	Ambient	-40		105	°C	2
25°C Output			0		LSB	3
ADC Resolution			16		bits	2
ODR	With Filter	25		8000	Hz	2
Room Temperature Offset	25°C	-5		5	°C	3
Stabilization Time				14000	µs	2
Sensitivity	Untrimmed		132.48		LSB/°C	1
Sensitivity for FIFO data			2.07		LSB/°C	1
<b>POWER-ON RESET</b>						
Start-up time for register read/write	From power-up			1	ms	1
<b>I<sup>2</sup>C ADDRESS</b>						
I <sup>2</sup> C ADDRESS	AP_ADO = 0 AP_ADO = 1		1101000 1101001			
<b>DIGITAL INPUTS (FSYNC, SCLK, SDI, CS)</b>						
V <sub>IH</sub> , High Level Input Voltage		0.7*VDDIO			V	1
V <sub>IL</sub> , Low Level Input Voltage				0.3*VDDIO	V	
C <sub>i</sub> , Input Capacitance			< 10		pF	
Input Leakage Current			100		nA	
<b>DIGITAL OUTPUT (SDO, INT1, INT2)</b>						
V <sub>OH</sub> , High Level Output Voltage	R <sub>LOAD</sub> =1 MΩ;	0.9*VDDIO			V	1
V <sub>OLL</sub> , LOW-Level Output Voltage	R <sub>LOAD</sub> =1 MΩ;			0.1*VDDIO	V	
V <sub>OLINT</sub> , INT Low-Level Output Voltage	OPEN=1, 0.3 mA sink Current			0.1	V	
Output Leakage Current	OPEN=1		100		nA	
t <sub>INT</sub> , INT Pulse Width	int_pulse_duration= 0, 1 (100 µs, 8 µs);	8		100	µs	
<b>I<sup>2</sup>C I/O (SCL, SDA)</b>						
V <sub>IL</sub> , LOW-Level Input Voltage		-0.5 V		0.3*VDDIO	V	1
V <sub>IH</sub> , HIGH-Level Input Voltage		0.7*VDDIO		VDDIO + 0.5V	V	
V <sub>hys</sub> , Hysteresis			0.1*VDDIO		V	
V <sub>OL</sub> , LOW-Level Output Voltage	3 mA sink current	0		0.4	V	
I <sub>OL</sub> , LOW-Level Output Current	V <sub>OL</sub> =0.4V V <sub>OL</sub> =0.6V		3 6		mA mA	
Output Leakage Current			100		nA	
t <sub>of</sub> , Output Fall Time from V <sub>IHmax</sub> to V <sub>ILmax</sub>	C <sub>b</sub> bus capacitance in pf	20+0.1C <sub>b</sub>		300	ns	
<b>INTERNAL CLOCK SOURCE</b>						
Clock Frequency Initial Tolerance	CLKSEL= `2b00; 25°C	-3		+3	%	1
Frequency Variation over Temperature	CLKSEL= `2b00; -40°C to +85°C			±3	%	1

**Table 3. A.C. Electrical Characteristics**

**Notes:**

1. Expected results based on design, will be updated after characterization. Not tested in production.
2. Guaranteed by design.
3. Production tested.

### 3.3 I<sup>2</sup>C TIMING CHARACTERIZATION

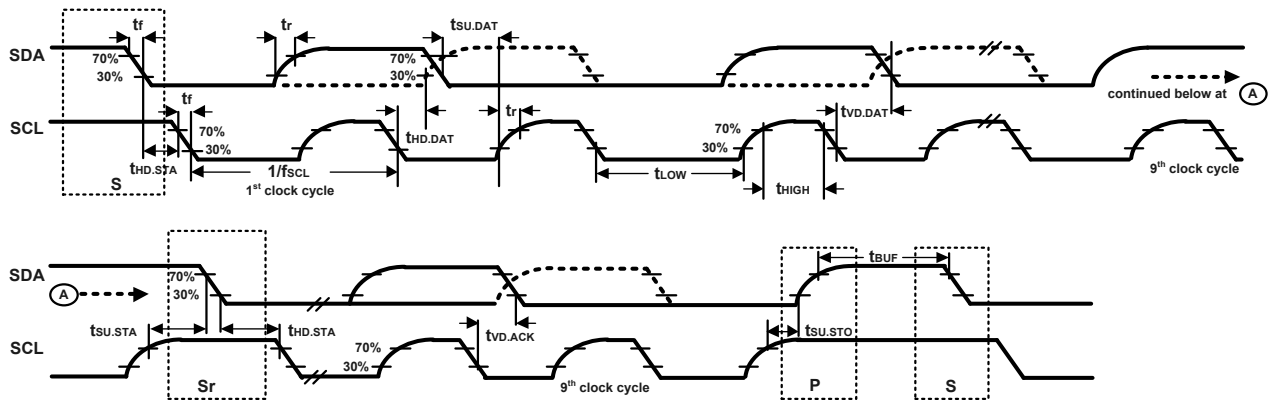
Typical Operating Circuit of Section 3.2, VDD = 1.8V, VDDIO = 1.8V, T<sub>A</sub>=25°C, unless otherwise noted.

PARAMETERS	CONDITIONS	MIN	TYPICAL	MAX	UNITS	NOTES
<b>I<sup>2</sup>C TIMING</b>		<b>I<sup>2</sup>C FAST-MODE PLUS</b>				
f <sub>SCL</sub> , SCL Clock Frequency				1	MHz	1
t <sub>HD,STA</sub> , (Repeated) START Condition Hold Time		0.26			μs	1
t <sub>LOW</sub> , SCL Low Period		0.5			μs	1
t <sub>HIGH</sub> , SCL High Period		0.26			μs	1
t <sub>SU,STA</sub> , Repeated START Condition Setup Time		0.26			μs	1
t <sub>HD,DAT</sub> , SDA Data Hold Time		0			μs	1
t <sub>SU,DAT</sub> , SDA Data Setup Time		50			ns	1
t <sub>r</sub> , SDA and SCL Rise Time	C <sub>b</sub> bus cap. from 10 to 400 pF			120	ns	1
t <sub>f</sub> , SDA and SCL Fall Time	C <sub>b</sub> bus cap. from 10 to 400 pF			120	ns	1
t <sub>SU,STO</sub> , STOP Condition Setup Time		0.5			μs	1
t <sub>BUF</sub> , Bus Free Time Between STOP and START Condition		0.5			μs	1
C <sub>b</sub> , Capacitive Load for each Bus Line			< 400		pF	1
t <sub>VD,DAT</sub> , Data Valid Time				0.45	μs	1
t <sub>VD,ACK</sub> , Data Valid Acknowledge Time				0.45	μs	1

**Table 4. I<sup>2</sup>C Timing Characteristics**

**Notes:**

1. Based on characterization of 5 parts over temperature and voltage as mounted on evaluation board or in sockets



**Figure 1. I<sup>2</sup>C Bus Timing Diagram**

### 3.4 SPI TIMING CHARACTERIZATION – 4-WIRE SPI MODE

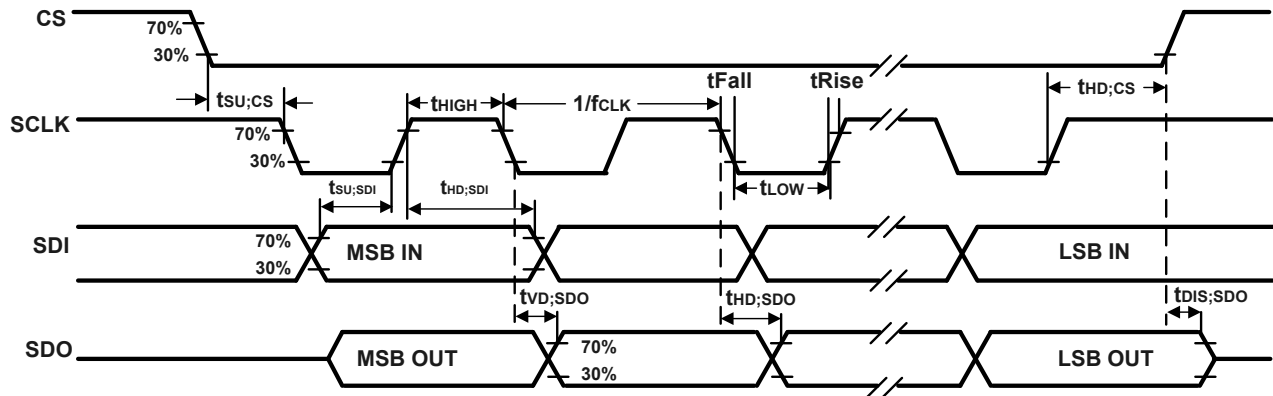
Typical Operating Circuit of Section 3.2, VDD = 1.8V, VDDIO = 1.8V, TA=25°C, unless otherwise noted.

PARAMETERS	CONDITIONS	MIN	TYP	MAX	UNITS	NOTES
<b>SPI TIMING</b>						
f <sub>SPC</sub> , SCLK Clock Frequency	Default			24	MHz	1
t <sub>LOW</sub> , SCLK Low Period		17			ns	1
t <sub>HIGH</sub> , SCLK High Period		17			ns	1
t <sub>SU,CS</sub> , CS Setup Time		39			ns	1
t <sub>HD,CS</sub> , CS Hold Time		18			ns	1
t <sub>SU,SDI</sub> , SDI Setup Time		13			ns	1
t <sub>HD,SDI</sub> , SDI Hold Time		8			ns	1
t <sub>VD,SDO</sub> , SDO Valid Time	C <sub>load</sub> = 20 pF			21.5	ns	1
t <sub>HD,SDO</sub> , SDO Hold Time	C <sub>load</sub> = 20 pF	3.5			ns	1
t <sub>DIS,SDO</sub> , SDO Output Disable Time				28	ns	1

**Table 5. 4-Wire SPI Timing Characteristics (24-MHz Operation)**

**Notes:**

1. Based on characterization of 5 parts over temperature and voltage as mounted on evaluation board or in sockets



**Figure 2. 4-Wire SPI Bus Timing Diagram**

### 3.5 SPI TIMING CHARACTERIZATION – 3-WIRE SPI MODE

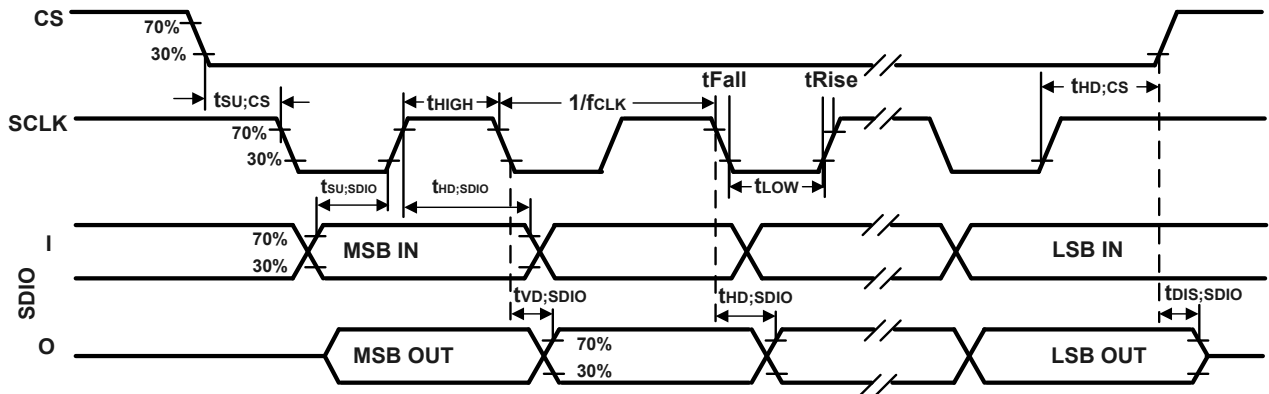
Typical Operating Circuit of Section 3.2, VDD = 1.8V, VDDIO = 1.8V, T<sub>A</sub>=25°C, unless otherwise noted.

PARAMETERS	CONDITIONS	MIN	TYP	MAX	UNITS	NOTES
<b>SPI TIMING</b>						
f <sub>SPC</sub> , SCLK Clock Frequency	Default			24	MHz	1
t <sub>LOW</sub> , SCLK Low Period		17			ns	1
t <sub>HIGH</sub> , SCLK High Period		17			ns	1
t <sub>SU,CS</sub> , CS Setup Time		39			ns	1
t <sub>HD,CS</sub> , CS Hold Time		5			ns	1
t <sub>SU,SDIO</sub> , SDIO Input Setup Time		13			ns	1
t <sub>HD,SDIO</sub> , SDIO Input Hold Time		8			ns	1
t <sub>VD,SDIO</sub> , SDIO Output Valid Time	C <sub>load</sub> = 20 pF			18.5	ns	1
t <sub>HD,SDIO</sub> , SDIO Output Hold Time	C <sub>load</sub> = 20 pF	3.5			ns	1
t <sub>DIS,SDIO</sub> , SDIO Output Disable Time				28	ns	1

**Table 6. 3-Wire SPI Timing Characteristics (24-MHz Operation)**

**Notes:**

- Based on characterization of 5 parts over temperature and voltage as mounted on evaluation board or in sockets



**Figure 3. 3-Wire SPI Bus Timing Diagram**

### 3.6 RTC (CLKIN) TIMING CHARACTERIZATION

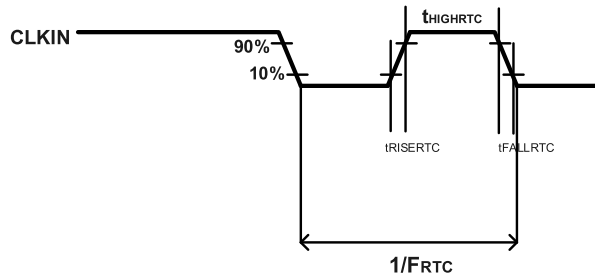
Typical Operating Circuit of section 4.2, VDD = 1.8 V, VDDIO = 1.8 V, T<sub>A</sub>=25°C, unless otherwise noted.

PARAMETERS	CONDITIONS	MIN	TYP	MAX	UNITS	NOTES
<b>RTC (CLKIN) TIMING</b>						
F <sub>RTC</sub> , RTC Clock Frequency	Default	31	32	50	kHz	1
t <sub>HIGHRTC</sub> , RTC Clock High Period		1			μs	1
t <sub>RISERTC</sub> , RTC Clock Rise Time		5		500	ns	1
t <sub>FALLRTC</sub> , RTC Clock Fall Time		5		500	ns	1

**Table 7. RTC Timing Characteristics**

**Notes:**

1. Based on characterization. Not tested in production.



**Figure 4. RTC Timing Diagram**



### 3.7 ABSOLUTE MAXIMUM RATINGS

Stress above those listed as “Absolute Maximum Ratings” may cause permanent damage to the device. These are stress ratings only and functional operation of the device at these conditions is not implied. Exposure to the absolute maximum ratings conditions for extended periods may affect device reliability. Prolonged exposure to acceleration ranges beyond  $\pm 60g$  may affect device reliability.

PARAMETER	RATING
Supply Voltage, VDD	-0.5V to +4V
Supply Voltage, VDDIO	-0.5V to +4V
Input Voltage Level (FSYNC, SCL, SDA)	-0.5V to VDDIO + 0.5V
Acceleration (Any Axis, unpowered)	20,000g for 0.2 ms
Operating Temperature Range	-40°C to +105°C
Storage Temperature Range	-40°C to +125°C
Electrostatic Discharge (ESD) Protection	2 kV (HBM); 500V (CDM)
Latch-up	JEDEC Class II (2), 125°C $\pm 100$ mA

**Table 8. Absolute Maximum Ratings**

## 4 APPLICATIONS INFORMATION

### 4.1 PIN OUT DIAGRAM AND SIGNAL DESCRIPTION

PIN NUMBER	PIN NAME	PIN DESCRIPTION	PIN STATUS
1	AP_SDO / AP_ADO	AP_SDO: AP SPI serial data output (4-wire mode); AP_ADO: AP I3C <sup>SM</sup> / I <sup>2</sup> C slave address LSB	By default, pull-up/pull-down is disabled. Pull-up can be enabled by setting PIN1_PU_EN = 1 (register 0x0Eh in Bank 3). Pull-down can be enabled by setting PIN1_PD_EN = 1 (register 0x0Eh in Bank 3). Note that both pull-up and pull-down must not be simultaneously enabled for the same pin.
2	RESV	No Connect or Connect to GND	By default, pull-up is disabled. Pull-up can be enabled by setting PIN2_PU_EN = 1 (register 0x06h in Bank 3).
3	RESV	No Connect or Connect to GND	By default, pull-up is disabled. Pull-up can be enabled by setting PIN3_PU_EN = 1 (register 0x06h in Bank 3).
4	INT1 / INT	INT1: Interrupt 1 (Note: INT1 can be push-pull or open drain) INT: All interrupts mapped to pin 4	By default, pull-down is disabled. Pull-down can be enabled by setting PIN4_PD_EN = 1 (register 0x06h in Bank 3).
5	VDDIO	IO power supply voltage	
6	GND	Power supply ground	
7	RESV	Connect to GND	By default, pull-up is disabled. Pull-up can be enabled by setting PIN7_PU_EN = 1 (register 0x06h in Bank 3) and it can be disabled by setting PIN7_PU_EN = 0.
8	VDD	Power supply voltage	
9	INT2 / FSYNC / CLKIN	INT2: Interrupt 2 (Note: INT2 can be push-pull or open drain) FSYNC: Frame sync input; Connect to GND if FSYNC not used CLKIN: External Clock Input	By default, pull-down is disabled. Pull-down can be enabled by setting PIN9_PD_EN = 1 (register 0x06h in Bank 3).
10	RESV	No Connect or Connect to GND	By default, pull-up is enabled. Pull-up can be disabled by setting PIN10_PU_EN = 0 and it can be enabled by setting PIN10_PU_EN = 1 (register 0x06h in Bank 3).
11	RESV	No Connect or Connect to GND	By default, pull-up is enabled. Pull-up can be disabled by setting PIN11_PU_EN = 0 and it can be enabled by setting PIN11_PU_EN = 1 (register 0x06h in Bank 3).
12	AP_CS	AP SPI Chip select (AP SPI interface); Connect to VDDIO if using AP I3C <sup>SM</sup> / I <sup>2</sup> C interface	By default, pull-up is enabled. Pull-up can be disabled by setting PIN12_PU_EN = 0 (register 0x0Eh in Bank 3). Pull-down can be enabled by setting PIN12_PD_EN = 1 (register 0x0Eh in Bank 3). Note that both pull-up and pull-down must not be simultaneously enabled for the same pin.
13	AP_SCL / AP_SCLK	AP_SCL: AP I3C <sup>SM</sup> / I <sup>2</sup> C serial clock; AP_SCLK: AP SPI serial clock	By default, pull-up/pull-down is disabled. Pull-up can be enabled by setting PIN13_PU_EN = 1 (register 0x0Eh in Bank 3). Pull-down can be enabled by setting PIN13_PD_EN = 1 (register 0x0Eh in Bank 3). Note that both pull-up and pull-down must not be simultaneously enabled for the same pin.
14	AP_SDA / AP_SDIO / AP_SDI	AP_SDA: AP I3C <sup>SM</sup> / I <sup>2</sup> C serial data; AP_SDIO: AP SPI serial data I/O (3-wire mode); AP_SDI: AP SPI serial data input (4-wire mode)	By default, pull-up/pull-down is disabled. Pull-up can be enabled by setting PIN14_PU_EN = 1 (register 0x0Eh in Bank 3). Pull-down can be enabled by setting PIN14_PD_EN = 1 (register 0x0Eh in Bank 3). Note that both pull-up and pull-down must not be simultaneously enabled for the same pin.

**Table 9. Signal Descriptions**

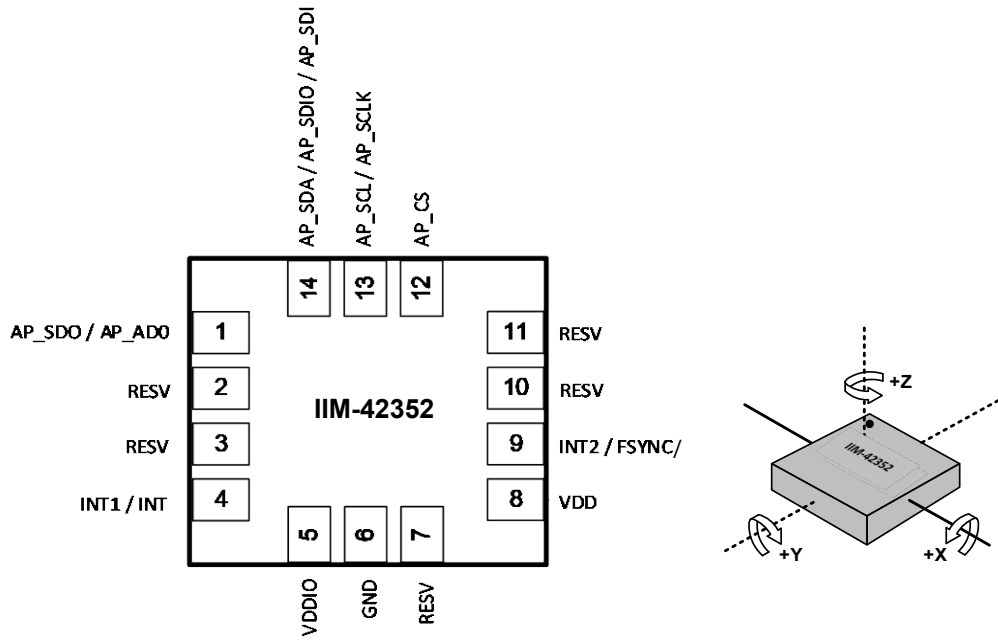


Figure 5. Pin Out Diagram for IIM-42352 2.5 mm x 3.0 mm x 0.91 mm LGA

## 4.2 TYPICAL OPERATING CIRCUIT

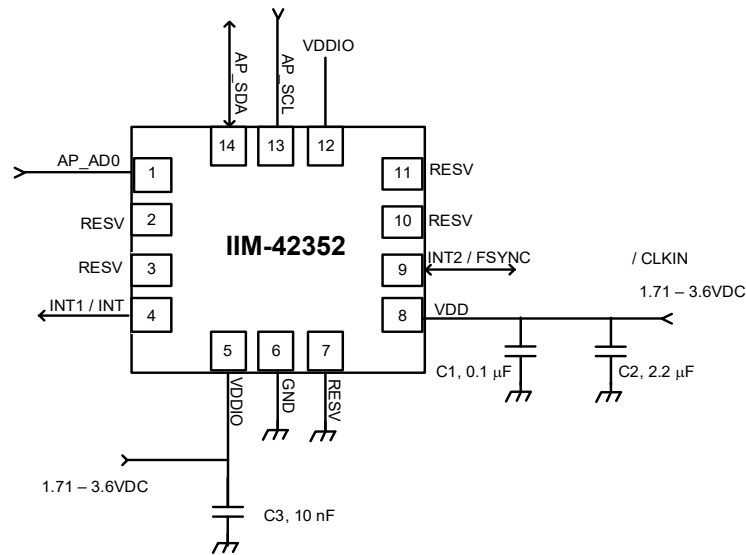
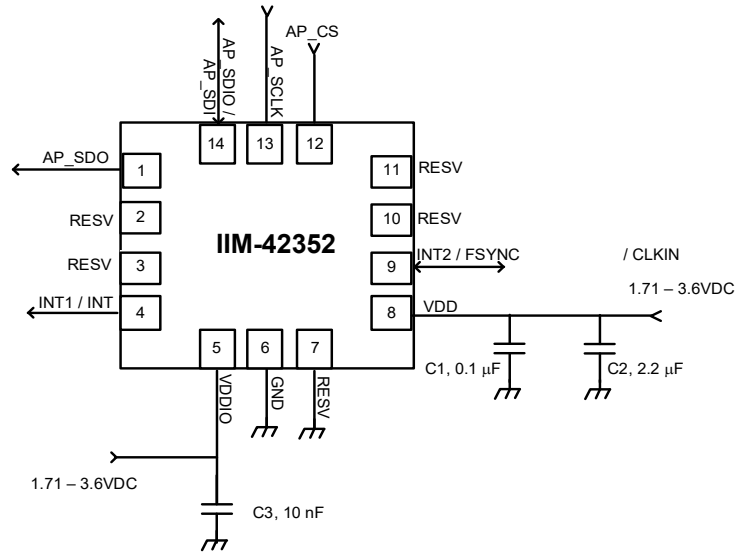


Figure 6. IIM-42352 Application Schematic (I3C<sup>SM</sup> / I<sup>2</sup>C Interface to Host)

**Note:** I<sup>2</sup>C lines are open drain and pull-up resistors (e.g. 10 kΩ) are required.



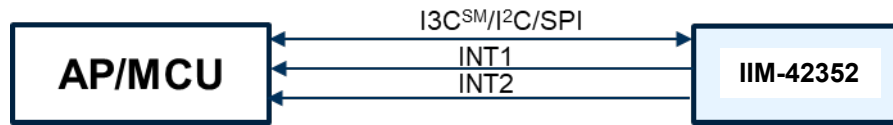
**Figure 7. IIM-42352 Application Schematic (SPI Interface to Host)**

**4.3 BILL OF MATERIALS FOR EXTERNAL COMPONENTS**

COMPONENT	LABEL	SPECIFICATION	QUANTITY
VDD Bypass Capacitors	C1	X7R, 0.1μF ±10%	1
	C2	X7R, 2.2μF ±10%	1
VDDIO Bypass Capacitor	C3	X7R, 10nF ±10%	1

**Table 10. Bill of Materials**

#### 4.4 SYSTEM BLOCK DIAGRAM



**Figure 8. IIM-42352 System Block Diagram**

**Note:** The above block diagram is an example. Please refer to the pin-out (section 3.1) for other configuration options.

#### 4.5 OVERVIEW

The IIM-42352 is comprised of the following key blocks and functions:

- Three-axis MEMS accelerometer sensor with 16-bit ADCs and signal conditioning
  - 20-bits data format support in FIFO for high-data resolution (see section 6 for details)
- I3C<sup>SM</sup>, I<sup>2</sup>C, and SPI serial communications interfaces to Host
- Self-Test
- Clocking
- Sensor Data Registers
- FIFO
- Interrupts
- Digital-Output Temperature Sensor
- Bias and LDOs
- Charge Pump
- Standard Power Modes

#### 4.6 THREE-AXIS MEMS ACCELEROMETER WITH 16-BIT ADCS AND SIGNAL CONDITIONING

The IIM-42352 includes a 3-axis MEMS accelerometer. Acceleration along a particular axis induces displacement of a proof mass in the MEMS structure, and capacitive sensors detect the displacement. The IIM-42352 architecture reduces the accelerometers' susceptibility to fabrication variations as well as to thermal drift. When the device is placed on a flat surface, it will measure 0g on the X- and Y-axes and +1g on the Z-axis. The accelerometers' scale factor is calibrated at the factory and is nominally independent of supply voltage. The full-scale range of the digital output can be adjusted to ±2g, ±4g, ±8g and ±16g.

#### 4.7 I3C<sup>SM</sup>, I<sup>2</sup>C, AND SPI HOST INTERFACE

The IIM-42352 communicates to the application processor using an I3C<sup>SM</sup>, I<sup>2</sup>C, or SPI serial interface. The IIM-42352 always acts as a slave when communicating to the application processor.

#### 4.8 SELF-TEST

Self-test allows for the testing of the mechanical and electrical portions of the sensors. The self-test for each measurement axis can be activated by means of the accelerometer self-test registers.

When the self-test is activated, the electronics cause the sensors to be actuated and produce an output signal. The output signal is used to observe the self-test response.

The self-test response is defined as follows:

$$\text{SELF-TEST RESPONSE} = \text{SENSOR OUTPUT WITH SELF-TEST ENABLED} - \text{SENSOR OUTPUT WITH SELF-TEST DISABLED}$$

When the value of the self-test response is within the specified min/max limits of the product specification, the part has passed self-test. When the self-test response exceeds the min/max values, the part is deemed to have failed self-test.

## 4.9 CLOCKING

The IIM-42352 has a flexible clocking scheme, allowing the internal clock source to be used for the internal synchronous circuitry. This synchronous circuitry includes the signal conditioning and ADCs, and various control circuits and registers.

The internal clock for IIM-42352 is generated by a relaxation oscillator. A highly accurate external clock may be used rather than the internal clock sources, if greater clock accuracy is desired. The CLKIN pin on IIM-42352 provides the ability to input an external clock. External clock input supports highly accurate clock input from 31 kHz to 50 kHz, resulting in improvement of the following:

- a) ODR uncertainty due to process, temperature, and design limitations. This uncertainty can be as high as  $\pm 8\%$  in internal clock mode. The CLKIN, assuming a 50 ppm or better 32.768 kHz source, will improve the ODR accuracy from  $\pm 80,000$  ppm to  $\pm 50$  ppm in RCOSC mode.
- b) Sophisticated systems can estimate ODR inaccuracy to some extent but not to the extent improved by using CLKIN.
- c) System-level clock/sensor synchronization. When using CLKIN, the accelerometer is on the same clock as the host. There is no need to continually re-synchronize the sensor data as the sensor sample points and period are known to be in exact alignment with the common system clock.
- d) Other applications that benefit from CLKIN include navigation and robotics.

## 4.10 SENSOR DATA REGISTERS

The sensor data registers contain the latest accelerometer, and temperature measurement data. They are read-only registers and are accessed via the serial interface. Data from these registers may be read anytime.

## 4.11 INTERRUPTS

Interrupt functionality is configured via the Interrupt Configuration register. Items that are configurable include the interrupt pins configuration, the interrupt latching and clearing method, and triggers for the interrupt. Items that can trigger an interrupt are (1) new data is available to be read (from the FIFO and Data registers); (2) accelerometer event interrupts; (3) FIFO watermark; (4) FIFO overflow. The interrupt status can be read from the Interrupt Status register.

## 4.12 DIGITAL-OUTPUT TEMPERATURE SENSOR

An on-chip temperature sensor and ADC are used to measure the IIM-42352 die temperature. The readings from the ADC can be read from the FIFO or the Sensor Data registers.

Temperature data value from the sensor data registers can be converted to degrees centigrade by using the following formula:

$$\text{Temperature in Degrees Centigrade} = (\text{TEMP\_DATA} / 132.48) + 25$$

FIFO\_TEMP\_DATA, temperature data stored in FIFO, can be 8-bit or 16-bit quantity. The 8-bit of temperature data stored in FIFO is limited to  $-40^{\circ}\text{C}$  to  $85^{\circ}\text{C}$  range, while the 16-bit representation can support the full operating temperature range. It can be converted to degrees centigrade by using the following formula:

$$\text{Temperature in Degrees Centigrade} = (\text{FIFO\_TEMP\_DATA} / 2.07) + 25$$

## 4.13 BIAS AND LDOS

The bias and LDO section generate the internal supply and the reference voltages and currents required by the IIM-42352.

## 4.14 CHARGE PUMP

An on-chip charge pump generates the high voltage required for the MEMS oscillator.

#### 4.15 STANDARD POWER MODES

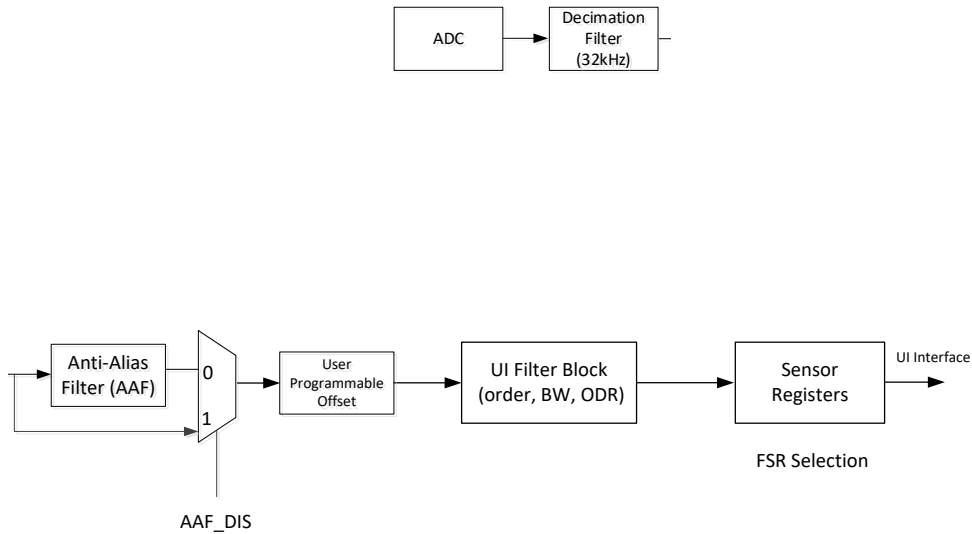
Table 11 lists the user-accessible power modes for IIM-42352.

MODE	NAME	ACCEL
1	Sleep Mode	Off
2	Standby Mode	Off
3	Accelerometer Low-Power Mode	Duty-Cycled
4	Accelerometer Low-Noise Mode	On

**Table 11. Standard Power Modes for IIM-42352**

## 5 SIGNAL PATH

Figure 9 shows a block diagram of the signal path for IIM-42352.



**Figure 9. IIM-42352 Signal Path**

The signal path starts with ADCs for the accelerometer. Other components of the signal path are described below in further detail.

### 5.1 SUMMARY OF PARAMETERS USED TO CONFIGURE THE SIGNAL PATH

Table 12 shows the parameters that can control the signal path.

PARAMETER NAME	DESCRIPTION
ACCEL_AAF_DIS	Disables the Accelerometer Anti Alias Filter
ACCEL_AAF_DELT	Three parameters required to program the accelerometer AAF. This is a 2nd order filter with programmable low pass filter. This is a user programmable filter which can be used to select the desired BW. This filter allows trading off RMS noise vs. latency for a given ODR.
ACCEL_AAF_DELTSQR	
ACCEL_AAF_BITSHIFT	

**Table 12. Parameters used to control the signal path**

### 5.2 ANTI-ALIAS FILTER

To program the anti-alias filter for a required bandwidth, use the table below to map the bandwidth to register values as shown:

1. Register bank 2, register 0x03h, bits 6:1, ACCEL\_AAF\_DELT: Code from 1 to 63 that allows programming the bandwidth for accelerometer anti-alias filter
2. Register bank 2, register 0x04h, bits 7:0 and Bank 2, register 0x05h, bits 3:0, ACCEL\_AAF\_DELTSQR: Square of the delt value for accelerometer
3. Register bank 2, register 0x05h, bits 7:4, ACCEL\_AAF\_BITSHIFT: Bitshift value for accelerometer used in hardware implementation

For vibration sensing applications, the recommended settings are ACCEL\_AAF\_DIS=0; ACCEL\_AAF\_DELT=63; ACCEL\_AAF\_DELTSQR: 3968; ACCEL\_AAF\_BITSHIFT=3.



3DB BANDWIDTH (HZ)	ACCEL_AAF_DELT	ACCEL_AAF_DELTSQR	ACCEL_AAF_BITSHIFT
42	1	1	15
84	2	4	13
126	3	9	12
170	4	16	11
213	5	25	10
258	6	36	10
303	7	49	9
348	8	64	9
394	9	81	9
441	10	100	8
488	11	122	8
536	12	144	8
585	13	170	8
634	14	196	7
684	15	224	7
734	16	256	7
785	17	288	7
837	18	324	7
890	19	360	6
943	20	400	6
997	21	440	6
1051	22	488	6
1107	23	528	6
1163	24	576	6
1220	25	624	6
1277	26	680	6
1336	27	736	5
1395	28	784	5
1454	29	848	5
1515	30	896	5
1577	31	960	5
1639	32	1024	5
1702	33	1088	5
1766	34	1152	5
1830	35	1232	5
1896	36	1296	5
1962	37	1376	4
2029	38	1440	4
2097	39	1536	4
2166	40	1600	4

3DB BANDWIDTH (HZ)	ACCEL_AAF_DELT	ACCEL_AAF_DELTSQR	ACCEL_AAF_BITSHIFT
2235	41	1696	4
2306	42	1760	4
2377	43	1856	4
2449	44	1952	4
2522	45	2016	4
2596	46	2112	4
2671	47	2208	4
2746	48	2304	4
2823	49	2400	4
2900	50	2496	4
2978	51	2592	4
3057	52	2720	4
3137	53	2816	3
3217	54	2944	3
3299	55	3008	3
3381	56	3136	3
3464	57	3264	3
3548	58	3392	3
3633	59	3456	3
3718	60	3584	3
3805	61	3712	3
3892	62	3840	3
3979	63	3968	3

The anti-alias filter can be selected or bypassed for the accelerometer by using the parameter ACCEL\_AAF\_DIS in register bank 2, register 0x03h, bit 0 as shown below.

ACCEL_AAF_DIS	FUNCTION
0	Enable accelerometer anti-aliasing filter
1	Disable accelerometer anti-aliasing filter

### 5.3 USER PROGRAMMABLE OFFSET

Accelerometer offsets can be programmed by the user by using registers OFFSET\_USER4, through OFFSET\_USER8, in bank 0, registers 0x7Bh through 0x7Fh (bank 4) as shown below.

REGISTER ADDRESS	REGISTER NAME	BITS	FUNCTION
0x7Bh	OFFSET_USER4	3:0	Reserved
		7:4	Upper bits of X-accel offset programmed by user. Max value is $\pm 1g$ , resolution is 0.5 mg.
0x7Ch	OFFSET_USERS5	7:0	Lower bits of X-accel offset programmed by user. Max value is $\pm 1g$ , resolution is 0.5 mg.
0x7Dh	OFFSET_USER6	7:0	Lower bits of Y-accel offset programmed by user. Max value is $\pm 1g$ , resolution is 0.5 mg.

REGISTER ADDRESS	REGISTER NAME	BITS	FUNCTION
0x7Eh	OFFSET_USER7	3:0	Upper bits of Y-accel offset programmed by user. Max value is $\pm 1g$ , resolution is 0.5 mg.
		7:4	Upper bits of Z-accel offset programmed by user. Max value is $\pm 1g$ , resolution is 0.5 mg.
0x7Fh	OFFSET_USER8	7:0	Lower bits of Z-accel offset programmed by user. Max value is $\pm 1g$ , resolution is 0.5 mg.

## 5.4 UI FILTER BLOCK

The UI filter block can be programmed to select filter order and bandwidth for accelerometer.

Accelerometer filter order can be selected by programming the parameter ACCEL\_UI\_FILT\_ORD in register bank 0, register 0x53h, bits 4:3, as shown below.

ACCEL_UI_FILT_ORD	FILTER ORDER
00	1 <sup>st</sup> order
01	2 <sup>nd</sup> order
10	3 <sup>rd</sup> order
11	Reserved

Accelerometer filter 3dB bandwidth can be selected by programming the parameter ACCEL\_UI\_FILT\_BW in register bank 0, register 0x52h, bits 7:4, as shown below. The values shown in bold correspond to low noise and the values shown in italics correspond to low latency. User can select the appropriate setting based on the application requirements for power and latency. Corresponding Noise Bandwidth (NBW) and Group Delay values are also shown.

### 5.4.1 1<sup>st</sup> Order Filter 3dB Bandwidth, Noise Bandwidth (NBW), Group Delay

		3DB BANDWIDTH (HZ) FOR ACCEL_UI_FILT_ORD=0 (1ST ORDER FILTER)									
		ACCEL_UI_FILT_BW									
ACCEL_ODR	ODR(HZ)	0	1	2	3	4	5	6	7	14	15
1	32000	<i>8400.0</i>									
2	16000	<i>4194.1</i>									
3	8000	<i>2096.30</i>									
4	4000	<i>1048.10</i>									
5	2000	<i>524.00</i>									
6	1000	<b>498.30</b>	<b>227.20</b>	<b>188.90</b>	<b>111.00</b>	<b>92.40</b>	<b>59.60</b>	<b>48.80</b>	<b>23.90</b>	<b>262.00</b>	<i>2096.30</i>
15	500	<b>249.10</b>	<b>113.60</b>	<b>94.40</b>	<b>55.50</b>	<b>46.20</b>	<b>29.80</b>	<b>24.40</b>	<b>11.90</b>	<b>131.00</b>	<i>1048.10</i>
7	200	<b>99.60</b>	<b>90.90</b>	<b>75.50</b>	<b>44.40</b>	<b>37.00</b>	<b>23.80</b>	<b>19.50</b>	<b>9.60</b>	<i>104.80</i>	<i>419.20</i>
8	100	<b>49.80</b>	<i>90.90</i>	<i>75.50</i>	<b>44.40</b>	<b>37.00</b>	<b>23.80</b>	<b>19.50</b>	<b>9.60</b>	<i>104.80</i>	<i>209.60</i>
9	50	<b>24.90</b>	<i>90.90</i>	<i>75.50</i>	<i>44.40</i>	<i>37.00</i>	<b>23.80</b>	<b>19.50</b>	<b>9.60</b>	<i>104.80</i>	<i>104.80</i>
10	25	<b>12.50</b>	<i>90.90</i>	<i>75.50</i>	<i>44.40</i>	<i>37.00</i>	<i>23.80</i>	<i>19.50</i>	<b>9.60</b>	<i>104.80</i>	<i>52.40</i>
11	12.5	<i>12.50</i>	<i>90.90</i>	<i>75.50</i>	<i>44.40</i>	<i>37.00</i>	<i>23.80</i>	<i>19.50</i>	<i>9.60</i>	<i>104.80</i>	<i>52.40</i>

		NBW BANDWIDTH (HZ) FOR ACCEL_UI_FILT_ORD=0 (1ST ORDER FILTER)									
		ACCEL_UI_FILT_BW									
ACCEL_ODR	ODR(HZ)	0	1	2	3	4	5	6	7	14	15
1	32000	8831.7									
2	16000	4410.6									
3	8000	2204.6									
4	4000	1102.2									
5	2000	551.1									
6	1000	551.1	230.8	196.3	126.5	108.9	75.8	64.1	34.1	275.6	2204.6
15	500	280.5	115.4	98.2	63.3	54.5	37.9	32.1	17.1	137.8	1102.2
7	200	112.2	92.4	78.5	50.6	43.6	30.3	25.7	13.7	110.3	440.9
8	100	56.1	92.4	78.5	50.6	43.6	30.3	25.7	13.7	110.3	220.5
9	50	28.1	92.4	78.5	50.6	43.6	30.3	25.7	13.7	110.3	110.3
10	25	14.1	92.4	78.5	50.6	43.6	30.3	25.7	13.7	110.3	55.2
11	12.5	14.1	92.4	78.5	50.6	43.6	30.3	25.7	13.7	110.3	55.2

		GROUP DELAY @DC (MS) FOR ACCEL_UI_FILT_ORD=0 (1ST ORDER FILTER)									
		ACCEL_UI_FILT_BW									
ACCEL_ODR	ODR(HZ)	0	1	2	3	4	5	6	7	14	15
1	32000	0.1									
2	16000	0.1									
3	8000	0.2									
4	4000	0.4									
5	2000	0.8									
6	1000	0.6	1.8	2.0	2.8	3.1	4.1	4.7	8.1	1.5	0.2
15	500	1.1	3.6	4.0	5.5	6.1	8.1	9.3	16.2	3.0	0.4
7	200	2.7	4.4	5.0	6.8	7.6	10.2	11.7	20.3	3.8	1.0
8	100	5.3	4.4	5.0	6.8	7.6	10.2	11.7	20.3	3.8	1.9
9	50	10.5	4.4	5.0	6.8	7.6	10.2	11.7	20.3	3.8	3.8
10	25	21.0	4.4	5.0	6.8	7.6	10.2	11.7	20.3	3.8	7.5
11	12.5	21.0	4.4	5.0	6.8	7.6	10.2	11.7	20.3	3.8	7.5

#### 5.4.2 2<sup>nd</sup> Order Filter 3dB Bandwidth, Noise Bandwidth (NBW), Group Delay

		3DB BANDWIDTH (HZ) FOR ACCEL_UI_FILT_ORD=1 (2ND ORDER FILTER)									
		ACCEL_UI_FILT_BW									
ACCEL_ODR	ODR(HZ)	0	1	2	3	4	5	6	7	14	15
1	32000	8400.0									
2	16000	4194.1									
3	8000	2096.3									
4	4000	1048.1									
5	2000	524.0									
6	1000	493.3	230.7	191.6	117.5	97.1	59.6	48.0	21.3	262.0	2096.3

15	500	246.7	115.3	95.8	58.8	48.5	29.8	24.0	10.6	131.0	1048.1
7	200	98.7	92.3	76.6	47.0	38.8	23.8	19.2	8.5	104.8	419.2
8	100	49.3	92.3	76.6	47.0	38.8	23.8	19.2	8.5	104.8	209.6
9	50	24.7	92.3	76.6	47.0	38.8	23.8	19.2	8.5	104.8	104.8
10	25	12.3	92.3	76.6	47.0	38.8	23.8	19.2	8.5	104.8	52.4
11	12.5	12.3	92.3	76.6	47.0	38.8	23.8	19.2	8.5	104.8	52.4

		NBW BANDWIDTH (HZ) FOR ACCEL_UI_FILT_ORD=1 (2ND ORDER FILTER)									
		ACCEL_UI_FILT_BW									
ACCEL_ODR	ODR(HZ)	0	1	2	3	4	5	6	7	14	15
1	32000	8831.7									
2	16000	4410.6									
3	8000	2204.6									
4	4000	1102.2									
5	2000	551.1									
6	1000	551.1	223.7	189.9	122.7	102.8	64.7	52.5	23.7	275.6	2204.6
15	500	259.6	111.9	95.0	61.4	51.4	32.4	26.3	11.9	137.8	1102.2
7	200	103.9	89.5	76.0	49.1	41.2	25.9	21.0	9.5	110.3	440.9
8	100	52.0	89.5	76.0	49.1	41.2	25.9	21.0	9.5	110.3	220.5
9	50	26.0	89.5	76.0	49.1	41.2	25.9	21.0	9.5	110.3	110.3
10	25	13.0	89.5	76.0	49.1	41.2	25.9	21.0	9.5	110.3	55.2
11	12.5	13.0	89.5	76.0	49.1	41.2	25.9	21.0	9.5	110.3	55.2

		GROUP DELAY @DC (MS) FOR ACCEL_UI_FILT_ORD=1 (2ND ORDER FILTER)									
		ACCEL_UI_FILT_BW									
ACCEL_ODR	ODR(HZ)	0	1	2	3	4	5	6	7	14	15
1	32000	0.1									
2	16000	0.1									
3	8000	0.2									
4	4000	0.4									
5	2000	0.8									
6	1000	0.7	2.1	2.4	3.2	3.7	5.2	6.1	12.0	1.5	0.2
15	500	1.3	4.1	4.7	6.4	7.3	10.4	12.2	24.0	3.0	0.4
7	200	3.3	5.1	5.8	8.0	9.1	12.9	15.3	30.0	3.8	1.0
8	100	6.5	5.1	5.8	8.0	9.1	12.9	15.3	30.0	3.8	1.9
9	50	12.9	5.1	5.8	8.0	9.1	12.9	15.3	30.0	3.8	3.8
10	25	25.7	5.1	5.8	8.0	9.1	12.9	15.3	30.0	3.8	7.5
11	12.5	25.7	5.1	5.8	8.0	9.1	12.9	15.3	30.0	3.8	7.5

**5.4.3 3<sup>rd</sup> Order Filter 3dB Bandwidth, Noise Bandwidth (NBW), Group Delay**

		3DB BANDWIDTH (HZ) FOR ACCEL_UI_FILT_ORD=2 (3RD ORDER FILTER)									
		ACCEL_UI_FILT_BW									
ACCEL_ODR	ODR(HZ)	0	1	2	3	4	5	6	7	14	15
1	32000	8400.0									
2	16000	4194.1									
3	8000	2096.3									
4	4000	1048.1									
5	2000	524.0									
6	1000	492.9	234.7	195.8	118.9	97.9	60.8	46.8	25.2	262.0	2096.3
15	500	246.4	117.4	97.9	59.5	48.9	30.4	23.4	12.6	131.0	1048.1
7	200	98.6	93.9	78.3	47.6	39.2	24.3	18.7	10.1	104.8	419.2
8	100	49.3	93.9	78.3	47.6	39.2	24.3	18.7	10.1	104.8	209.6
9	50	24.6	93.9	78.3	47.6	39.2	24.3	18.7	10.1	104.8	104.8
10	25	12.3	93.9	78.3	47.6	39.2	24.3	18.7	10.1	104.8	52.4
11	12.5	12.3	93.9	78.3	47.6	39.2	24.3	18.7	10.1	104.8	52.4

		NBW BANDWIDTH (HZ) FOR ACCEL_UI_FILT_ORD=2 (3RD ORDER FILTER)									
		ACCEL_UI_FILT_BW									
ACCEL_ODR	ODR(HZ)	0	1	2	3	4	5	6	7	14	15
1	32000	8831.7									
2	16000	4410.6									
3	8000	2204.6									
4	4000	1102.2									
5	2000	551.1									
6	1000	551.1	221.3	188.5	120.1	100.0	62.9	48.6	26.4	275.6	2204.6
15	500	252.0	110.7	94.3	60.1	50.0	31.5	24.3	13.2	137.8	1102.2
7	200	100.8	88.6	75.4	48.1	40.0	25.2	19.5	10.6	110.3	440.9
8	100	50.4	88.6	75.4	48.1	40.0	25.2	19.5	10.6	110.3	220.5
9	50	25.2	88.6	75.4	48.1	40.0	25.2	19.5	10.6	110.3	110.3
10	25	12.6	88.6	75.4	48.1	40.0	25.2	19.5	10.6	110.3	55.2
11	12.5	12.6	88.6	75.4	48.1	40.0	25.2	19.5	10.6	110.3	55.2

		GROUP DELAY @DC (MS) FOR ACCEL_UI_FILT_ORD=2 (3RD ORDER FILTER)									
		ACCEL_UI_FILT_BW									
ACCEL_ODR	ODR(HZ)	0	1	2	3	4	5	6	7	14	15
1	32000	0.1									
2	16000	0.1									
3	8000	0.2									
4	4000	0.4									
5	2000	0.8									

6	1000	0.8	2.3	2.7	4.0	4.6	6.6	8.2	14.1	1.5	0.2
15	500	1.6	4.6	5.4	7.9	9.2	13.2	16.3	28.1	3.0	0.4
7	200	4.0	5.8	6.8	9.8	11.4	16.5	20.4	35.2	3.8	1.0
8	100	8.0	5.8	6.8	9.8	11.4	16.5	20.4	35.2	3.8	1.9
9	50	15.9	5.8	6.8	9.8	11.4	16.5	20.4	35.2	3.8	3.8
10	25	31.8	5.8	6.8	9.8	11.4	16.5	20.4	35.2	3.8	7.5
11	12.5	31.8	5.8	6.8	9.8	11.4	16.5	20.4	35.2	3.8	7.5

## 5.5 ODR AND FSR SELECTION

Accelerometer ODR can be selected by programming the parameter ACCEL\_ODR in register bank 0, register 0x50h, bits 3:0 as shown below. Refer to Note 6 under Table 1 for ACCEL\_ODR recommended settings to achieve high 3dB value for accelerometer signal bandwidth.

ACCEL_ODR	ACCELEROMETER ODR VALUE
0000	Reserved
0001	32 kHz (LN mode)
0010	16 kHz (LN mode)
0011	8 kHz (LN mode)
0100	4 kHz (LN mode)
0101	2 kHz (LN mode)
0110	1 kHz (LN mode) (default)
0111	200 Hz (LP or LN mode)
1000	100 Hz (LP or LN mode)
1001	50 Hz (LP or LN mode)
1010	25 Hz (LP or LN mode)
1011	12.5 Hz (LP or LN mode)
1100	Reserved
1101	Reserved
1110	Reserved
1111	500Hz (LP or LN mode)

Accelerometer FSR can be selected by programming the parameter ACCEL\_FS\_SEL in register bank 0, register 0x50h, bits 7:5 as shown below.

ACCEL_FS_SEL	ACCELEROMETER FSR VALUE
000	16g
001	8g
010	4g
011	2g
100	Reserved
101	Reserved
110	Reserved
111	Reserved

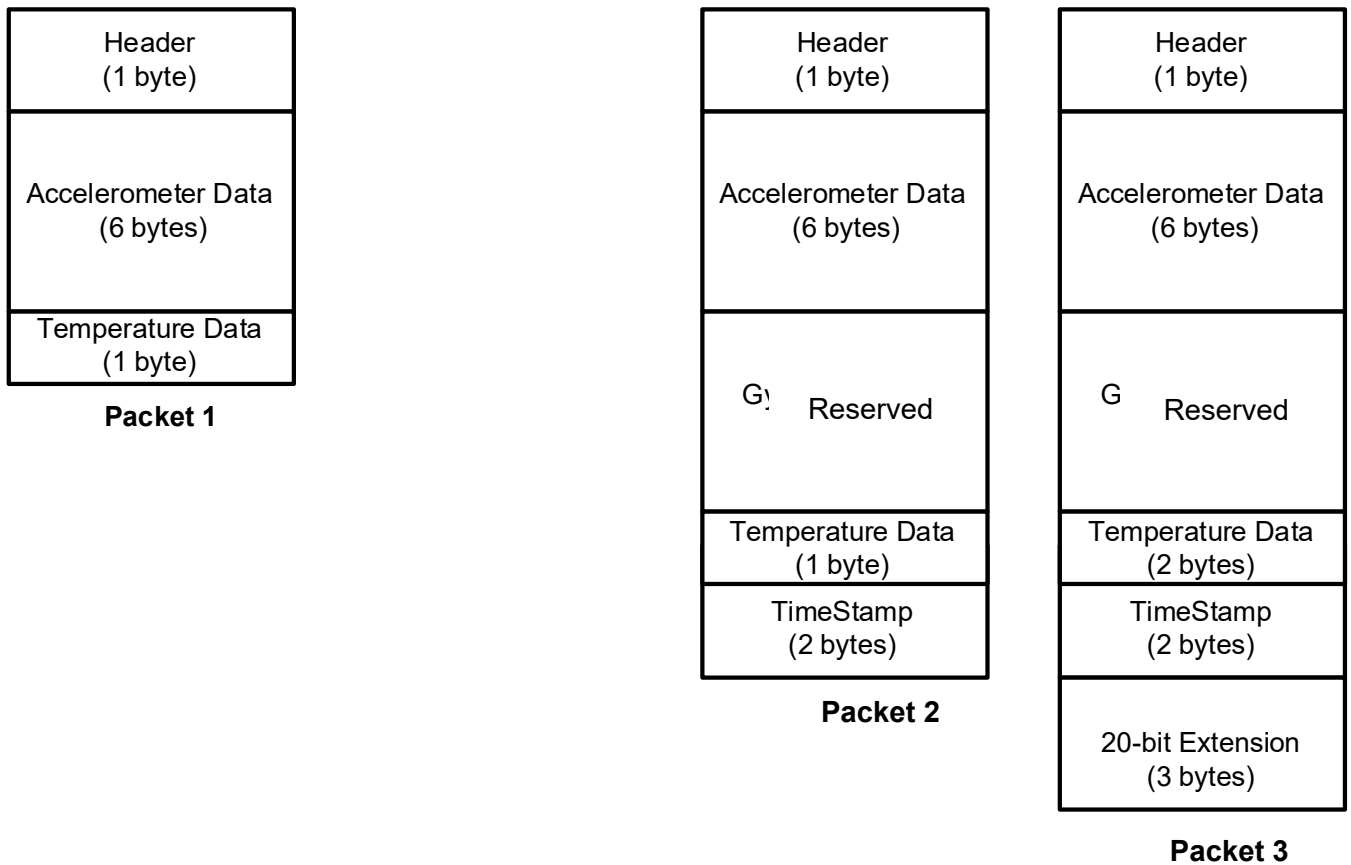


## 6 FIFO

The IIM-42352 contains a 2 kB FIFO register that is accessible via the serial interface. The FIFO configuration register determines which data is written into the FIFO. Possible choices include accelerometer data, temperature readings, and FSYNC input. A FIFO counter keeps track of how many bytes of valid data are contained in the FIFO.

### 6.1 PACKET STRUCTURE

The following figure shows the 8- and 16-byte FIFO packet structures supported in IIM-42352. Base data format for accelerometer is 16-bits per element. 20-bits data format support is included in one of the packet structures. When 20-bits data format is used, accelerometer data consists of 18-bits of actual data and the two lowest order bits are always set to 0. When 20-bits data format is used, the only FSR settings that are operational is  $\pm 16g$  for accelerometer, even if the FSR selection register settings are configured for other FSR values. The accelerometer sensitivity scale factor value is and 8192 LSB/g.



**Figure 10. FIFO Packet Structure**

Due to limitation on the number of bits, 8-bit Temperature data stored in FIFO is limited to  $-40^{\circ}\text{C}$  to  $85^{\circ}\text{C}$  range. Either 16-bit Temperature data format (FIFO packet 3) or the value from the sensor data registers (TEMP\_DATA) must be used to support a temperature measurements range of  $-40^{\circ}$  to  $105^{\circ}\text{C}$ .

The rest of this sub-section describes how individual data is packaged in the different FIFO packet structures.

**Packet 1:** Individual data is packaged in Packet 1 as shown below.

BYTE	CONTENT
0x00	FIFO Header
0x01	Accel X [15:8]
0x02	Accel X [7:0]
0x03	Accel Y [15:8]
0x04	Accel Y [7:0]
0x05	Accel Z [15:8]
0x06	Accel Z [7:0]
0x07	Temperature [7:0]

**Packet 2:** Individual data is packaged in Packet 2 as shown below.

BYTE	CONTENT
0x00	FIFO Header
0x01	Accel X [15:8]
0x02	Accel X [7:0]
0x03	Accel Y [15:8]
0x04	Accel Y [7:0]
0x05	Accel Z [15:8]
0x06	Accel Z [7:0]
0x07	Reserved
0x08	Reserved
0x09	Reserved
0x0A	Reserved
0x0B	Reserved
0x0C	Reserved
0x0D	Temperature[7:0]
0x0E	TimeStamp[15:8]
0x0F	TimeStamp[7:0]

**Packet 3:** Individual data is packaged in Packet 3 as shown below.

BYTE	CONTENT
0x00	FIFO Header
0x01	Accel X [19:12]
0x02	Accel X [11:4]
0x03	Accel Y [19:12]
0x04	Accel Y [11:4]
0x05	Accel Z [19:12]
0x06	Accel Z [11:4]
0x07	Reserved
0x08	Reserved
0x09	Reserved
0x0A	Reserved
0x0B	Reserved
0x0C	Reserved
0x0D	Temperature[15:8]
0x0E	Temperature[7:0]
0x0F	TimeStamp[15:8]
0x10	TimeStamp[7:0]

BYTE	CONTENT	
0x11	Accel X [3:0]	Reserved
0x12	Accel Y [3:0]	Reserved
0x13	Accel Z [3:0]	Reserved

## 6.2 FIFO HEADER

The following table shows the structure of the 1 byte FIFO header.

BIT FIELD	ITEM	DESCRIPTION
7	HEADER_MSG	1: FIFO is empty 0: Packet contains sensor data
6:4	HEADER_PACKET_FORMAT	0xx: Reserved 100: Packet contains packet 1 format (accel + temp) 101: Reserved 110: Packet contains packet 2 format (accel + temp + timestamp) 111: Packet contains packet 3 format (hires accel + temp + timestamp) *See detail packet structure at section 6.1
3:2	HEADER_TIMESTAMP_FSYNC	00: Packet does not contain timestamp or FSYNC time data 01: Reserved 10: Packet contains ODR Timestamp 11: Packet contains FSYNC time, and this packet is flagged as first ODR after FSYNC (only if FIFO_TMST_FSYNC_EN is 1)
1	HEADER_ODR_ACCEL	1: The ODR for accel is different for this accel data packet compared to the previous accel packet 0: The ODR for accel is the same as the previous packet with accel
0	-	Reserved

Note that HEADER\_ACCEL must be set for a sensor data packet to be set.

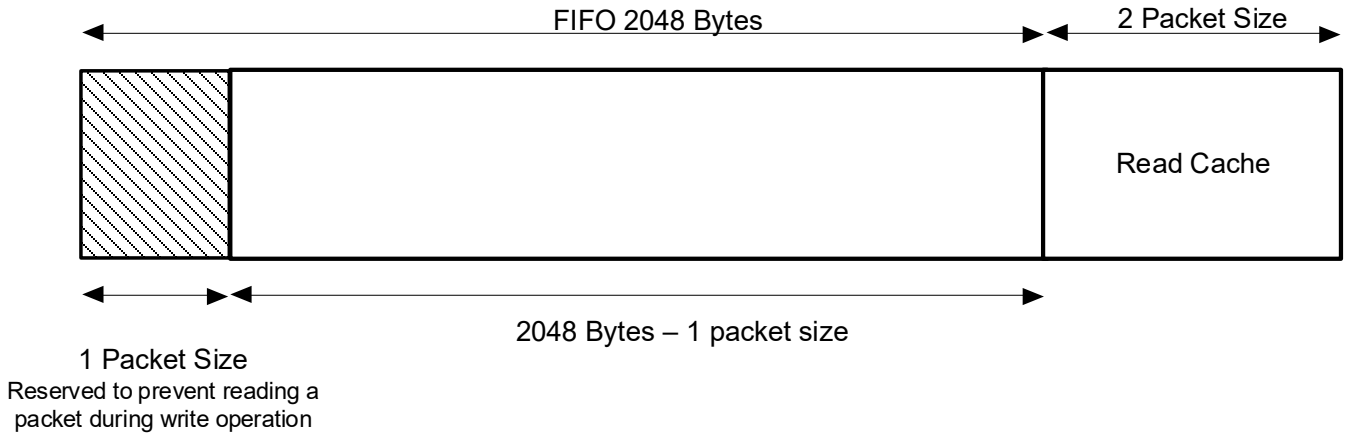
## 6.3 MAXIMUM FIFO STORAGE

The maximum number of packets that can be stored in FIFO is a variable quantity depending on the use case. As shown in Figure 11, the physical FIFO size is 2048 bytes. A number of bytes equal to the packet size selected (see section 5.1) is reserved to prevent reading a packet during write operation. Additionally, a read cache 2 packets wide is available.

When there is no serial interface operation, the read cache is not available for storing packets, being fed by the serial interface clock.

When serial interface operation happens, depending on the operation length and the packet size chosen, either 1 or 2 of the packet entries in read cache may become available for storing packets. In that case the total storage available is up to the maximum number of packets that can be accommodated in 2048 bytes + 1 packet size, depending on the packet size used.

Due to the non-deterministic nature of system operation, driver memory allocation should always be the largest size of 2080 bytes.



**Figure 11. Maximum FIFO Storage**

## 6.4 FIFO CONFIGURATION REGISTERS

The following control bits in bank 0, register 0x5Fh determine what data is placed into the FIFO. The values of these bits may change while the FIFO is being filled without corruption of the FIFO.

BIT	NAME	FUNCTION
4	FIFO_HIRES_EN	0: Default setting; Sensor data have regular resolution 1: Sensor data in FIFO will have extended resolution enabling the 20 Bytes packet
3	FIFO_TMST_FSYNC_EN	0: FIFO will only contain ODR timestamp information 1: FIFO can also contain FSYNC time and FSYNC tag for one ODR after an FSYNC event
1: 0	FIFO_PACKET_EN	00: Disable packet goes to FIFO 01: Enable Packet 1 goes to FIFO 10: Reserved 11: Enable Packet 2 goes to FIFO when FIFO_HIRES_EN=0 Enable Packet 3 goes to FIFO when FIFO_HIRES_EN=1

Configuration register settings above impact FIFO header and FIFO packet size as follows:

FIFO_HIRES_EN	FIFO_TMST_FSYNC_EN	FIFO_PACKET_EN	HEADER	PACKET SIZE
1	0	2'b_11	8'b_0111_10xx	20 Bytes
1	1	2'b_11	8'b_0111_11xx	20 Bytes
0	0	2'b_11	8'b_0110_10xx	16 Bytes
0	1	2'b_11	8'b_0110_11xx	16 Bytes
0	X	2'b_01	8'b_0100_00xx	8 Bytes
0	X	2'b_00	No FIFO writes	No FIFO writes

## 7 PROGRAMMABLE INTERRUPTS

The IIM-42352 has a programmable interrupt system that can generate an interrupt signal on the INT pins. Status flags indicate the source of an interrupt. Interrupt sources may be enabled and disabled individually. There are two interrupt outputs. Any interrupt may be mapped to either interrupt pin as explained in the register section. The following configuration options are available for the interrupts

- INT1 and INT2 can be push-pull or open drain
- Level or pulse mode
- Active high or active low

Additionally, IIM-42352 includes In-band Interrupt (IBI) support for the I3C<sup>SM</sup> interface.

## 8 APEX MOTION FUNCTIONS

The APEX (Advanced Pedometer and Event Detection – neXt gen) features of IIM-42352 consist of:

- Pedometer: tracks step count and issues a step detect interrupt
- Tilt Detection: issues an interrupt when the tilt angle exceeds 35 degrees for more than a programmable time.
- Freefall Detection: triggers an interrupt when device freefall is detected and outputs freefall duration.
- Tap Detection: issues an interrupt when tap is detected, along with a register containing the tap count.
- Wake on Motion (WoM): detects motion when accelerometer samples exceed a programmable threshold. This motion event can be used to enable chip operation from sleep mode.
- Significant Motion Detector (SMD): detects motion if WoM events are detected during a programmable time window (2s or 4s).

### 8.1 APEX ODR SUPPORT

APEX algorithms are designed to work with the accelerometer, for a variety of ODR settings. However, there is a minimum ODR required for each algorithm. The following table shows the relationship between the available accelerometer ODRs and the operation of the APEX algorithms. To allow more flexible operation where we can control the ODR of the APEX algorithms independent of the accelerometer ODR, we allow for an additional selection determined by the field DMP\_ODR (DMP stands for Digital Motion Processor™, an architectural component of APEX). The tables below shows how DMP\_ODR should be configured in relation to the accelerometer ODR and the expected performance.

ACCEL ODR	DMP_ODR	PEDOMETER	TILT DETECTION	FREEFALL DETECTION
< 25Hz	X	Disabled	Disabled	Disabled
≥ 25Hz	0 (25Hz)	Low Power	Low Power	Low Power
≥ 50Hz	2 (50Hz)	Normal	Normal	Low Power
100Hz	3 (100Hz)	Normal (50Hz)	High Performance (50 Hz)	Normal
500Hz	1 (500Hz)	Disabled	High Performance (50 Hz)	High Performance

ACCEL ODR	TAP DETECTION
200 Hz	Low Power
500 Hz	Normal
1 kHz	High Performance
> 1kHz	Disabled

If the accelerometer ODR is set below the minimum DMP ODR (25 Hz), the APEX features cannot be enabled.

When the accelerometer ODR needs to be set differently from the DMP ODR, only the integer multiple of DMP ODR for accelerometer sensor ODR is suitable to use with DMP. For example, when the accelerometer ODR is set as 200 Hz, the APEX features can be enabled with choices of 25 Hz, or 50 Hz, depending on the DMP\_ODR register setting.

DMP ODR should not be changed on the fly. The following sequence should be followed for changing the DMP ODR:

1. Disable Pedometer and Tilt Detection if they are enabled
2. Change DMP ODR
3. Set DMP\_INIT\_EN for one cycle (Register 0x4Bh in Bank 0)
4. Unset DMP\_INIT\_EN (Register 0x4Bh in Bank 0)
5. Enable APEX features of interest

## 8.2 DMP POWER SAVE MODE

DMP Power Save Mode can be enabled or disabled by DMP\_POWER\_SAVE (Register 0x56h in Bank 0). When the DMP Power Save Mode is enabled, APEX features are enabled only when WOM is detected. WOM must be explicitly enabled for the DMP to work in this mode. When WOM is not detected the APEX features are on pause. If the user does not want to use DMP Power Save Mode they may set DMP\_POWER\_SAVE = 0, and use APEX functions without WOM detection.

## 8.3 PEDOMETER PROGRAMMING

- Pedometer configuration parameters
  1. LOW\_ENERGY\_AMP\_TH\_SEL (Register 0x40h in Bank 4)
  2. PED\_AMP\_TH\_SEL (Register 0x41h in Bank 4)
  3. PED\_STEP\_CNT\_TH\_SEL (Register 0x41h in Bank 4)
  4. PED\_HI\_EN\_TH\_SEL (Register 0x42h in Bank 4)
  5. PED\_SB\_TIMER\_TH\_SEL (Register 0x42h in Bank 4)
  6. PED\_STEP\_DET\_TH\_SEL (Register 0x42h in Bank 4)
  7. SENSITIVITY\_MODE (Register 0x48h in Bank 4)
  8. There are 2 ODR and 2 sensitivity modes

ACCEL ODR (DMP_ODR)	NORMAL	SLOW WALK
25 Hz (0)	low power	low power and slow walk
50 Hz (2)	high performance	slow walk

- Initialize Sensor in a typical configuration
  1. Set accelerometer ODR to 50 Hz (Register 0x50h in Bank 0)
  2. Set accelerometer to Low Power mode (Register 0x4Eh in Bank 0)  
ACCEL\_MODE = 2 and (Register 0x4Eh in Bank 0), ACCEL\_LP\_CLK\_SEL = 0, for low power mode
  3. Set DMP ODR = 50 Hz and turn on Pedometer feature (Register 0x56h in Bank 0)
  4. Wait 1 millisecond
- Initialize APEX hardware
  1. Set DMP\_MEM\_RESET\_EN to 1 (Register 0x4Bh in Bank 0)
  2. Wait 1 millisecond
  3. Set LOW\_ENERGY\_AMP\_TH\_SEL to 10 (Register 0x40h in Bank 4)
  4. Set PED\_AMP\_TH\_SEL to 8 (Register 0x41h in Bank 4)
  5. Set PED\_STEP\_CNT\_TH\_SEL to 5 (Register 0x41h in Bank 4)
  6. Set PED\_HI\_EN\_TH\_SEL to 1 (Register 0x42h in Bank 4)
  7. Set PED\_SB\_TIMER\_TH\_SEL to 4 (Register 0x42h in Bank 4)



8. Set PED\_STEP\_DET\_TH\_SEL to 2 (Register 0x42h in Bank 4)
  9. Set SENSITIVITY\_MODE to 0 (Register 0x48h in Bank 4)
  10. Set DMP\_INIT\_EN to 1 (Register 0x4Bh in Bank 0)
  11. Wait 50 milliseconds
  12. Enable STEP detection, source for INT1 by setting bit 5 in register INT\_SOURCE6 (Register 0x4Dh in Bank 4) to 1. Or if INT2 is selected for STEP detection, enable STEP detection source by setting bit 5 in register INT\_SOURCE7 (Register 0x4Eh in Bank 4) to 1.
  13. As freefall and pedometer share the same output register, they cannot run concurrently. Disable freefall by setting FF\_ENABLE to 0 (Register 0x56h in Bank 0)
  14. Turn on the pedometer feature by setting PED\_ENABLE to 1 (Register 0x56h in Bank 0)
- Output registers
    1. Read interrupt register (Register 0x38h in Bank 0) for STEP\_DET\_INT
    2. If the step count is equal to or greater than 65535 (uint16), the STEP\_CNT\_OVF\_INT (Register 0x38h in Bank 0) will be set to 1. Example:
      - Take 1 step => output step count = 65533 (real step count is 65533)
      - Take 1 step => output step count = 65534 (real step count is 65534)
      - Take 1 step => output step count = 0 and interrupt is fired (real step count is 65535+0=65535)
      - Take 1 step => output step count = 1 (real step count is 65535+1=65536)
    3. Read the step count in STEP\_CNT (Register 0x31h and 0x32h in Bank 0)
    4. Read the step cadence in STEP\_CADENCE (Register 0x33h in Bank 0)
    5. Read the activity class in ACTIVITY\_CLASS (Register 0x34h in Bank 0)

## 8.4 TILT DETECTION PROGRAMMING

- Tilt Detection configuration parameters
  1. TILT\_WAIT\_TIME (Register 0x43h in Bank 4)  
 This parameter configures how long of a delay after tilt is detected before interrupt is triggered  
 Default is 2 (4s).  
 Range is 0 = 0s, 1 = 2s, 2 = 4s, 3 = 6s  
 For example, setting TILT\_WAIT\_TIME = 2 is equivalent to 4 seconds for all ODRs
- Initialize Sensor in a typical configuration
  1. Set accelerometer ODR (Register 0x50h in Bank 0)  
 ACCEL\_ODR = 9 for 50 Hz or 10 for 25 Hz
  2. Set Accel to Low Power mode (Register 0x4Eh in Bank 0)  
 ACCEL\_MODE = 2 and (Register 0x4Dh in Bank 0), ACCEL\_LP\_CLK\_SEL = 0, for low power mode
  3. Set DMP ODR (Register 0x56h in Bank 0)  
 DMP\_ODR = 0 for 25 Hz, 2 for 50 Hz
  4. Wait 1 millisecond
- Initialize APEX hardware
  1. Set DMP\_MEM\_RESET\_EN to 1 (Register 0x4Bh in Bank 0)
  2. Wait 1 millisecond
  3. Set TILT\_WAIT\_TIME (Register 0x43h in Bank 4) if default value does not meet needs
  4. Wait 1 millisecond
  5. Set DMP\_INIT\_EN to 1 (Register 0x4Bh in Bank 0)
  6. Enable Tilt Detection, source for INT1 by setting bit 3 in register INT\_SOURCE6 (Register 0x4Dh in Bank 4) to 1. Or if INT2 is selected for Tilt Detection, enable Tilt Detection source by setting bit 3 in register INT\_SOURCE7 (Register 0x4Eh in Bank 4) to 1
  7. Wait 50 milliseconds

8. Turn on Tilt Detection feature by setting TILT\_ENABLE to 1 (Register 0x56h in Bank 0)
- Output registers
    1. Read interrupt register (Register 0x38h in Bank 0) for TILT\_DET\_INT

## 8.5 FREEFALL DETECTION PROGRAMMING

Freefall Detection detects device freefall. It uses a low-g and a high-g detector to detect freefall start and freefall end. It provides a trigger indicating freefall event and the freefall duration. The duration is given in number of samples and can be converted to freefall distance in meters by applying the following formula:

$$FF\_DISTANCE = 0.5 * 9.81 * (FF\_DUR * DMP\_ODR\_S)^2$$

Note: DMP\_ODR\_S is the duration of DMP\_ODR expressed in seconds.

- Freefall Detection configuration parameters
  1. LOWG\_PEAK\_TH\_SEL (Register 0x44h in Bank 4)
  2. LOWG\_TIME\_TH\_SEL (Register 0x44h in Bank 4)
  3. LOWG\_PEAK\_TH\_HYST\_SEL (Register 0x43h in Bank 4)
  4. HIGHG\_PEAK\_TH\_SEL (Register 0x45h in Bank 4)
  5. HIGHG\_TIME\_TH\_SEL (Register 0x45h in Bank 4)
  6. HIGHG\_PEAK\_TH\_HYST\_SEL (Register 0x43h in Bank 4)
  7. FF\_MIN\_DURATION\_CM (Register 0x49h in Bank 4)
  8. FF\_MAX\_DURATION\_CM (Register 0x49h in Bank 4)
  9. FF\_DEBOUNCE\_DURATION (Register 0x49h in Bank 4)
- Initialize Sensor in a typical configuration
  1. Set Accel ODR to 500 Hz (Register 0x50h in Bank 0)
  2. Set AVG filtering to 1 sample to minimize power consumption (Register 0x52h in Bank 0)  
ACCEL\_UI\_FILT\_BW = 1
  3. Set Accel to Low Power mode (Register 0x4E in Bank 0)  
ACCEL\_MODE[1:0] = 2
  4. Set DMP ODR = 500 Hz (Register 0x56 in Bank 0)  
DMP\_ODR[1:0] = 1
- Initialize APEX hardware
  1. Set LOWG\_PEAK\_TH\_SEL (Register 0x44h in Bank 4)
  2. Set LOWG\_TIME\_TH\_SEL (Register 0x44h in Bank 4)
  3. Set LOWG\_PEAK\_TH\_HYST\_SEL (Register 0x43 in Bank 4)
  4. Set HIGHG\_PEAK\_TH\_SEL (Register 0x45h in Bank 4)
  5. Set HIGHG\_TIME\_TH\_SEL (Register 0x45h in Bank 4)
  6. Set HIGHG\_PEAK\_TH\_HYST\_SEL (Register 0x43h in Bank 4)
  7. Set FF\_DEBOUNCE\_DURATION (Register 0x49h in Bank 4)
  8. Set FF\_MIN\_DURATION\_CM (Register 0x49h in Bank 4)
  9. Set FF\_MAX\_DURATION\_CM (Register 0x49h in Bank 4)
  10. Set DMP\_MEM\_RESET\_EN to 1 if DMP is started for the first time after reset (Register 0x4Bh in Bank 0)
  11. Wait 1 millisecond
  12. Set DMP\_INIT\_EN to 1 (Register 0x4Bh in Bank 0)
  13. Enable FREEFALL detection, source for INT1 by setting bit 1 in register INT\_SOURCE6 (Register 0x4Dh in Bank 4) to 1. Or if INT2 is selected for FREEFALL detection, enable FREEFALL detection source by setting bit 1 in register INT\_SOURCE7 (Register 0x4Eh in Bank 4) to 1.
  14. Wait 50 milliseconds

15. As freefall and pedometer share the same output register, they cannot run concurrently. Disable pedometer by setting PED\_ENABLE to 0 (Register 0x56h in Bank 0)
16. Set FF\_ENABLE to 1 (Register 0x56h in Bank 0)

- Output registers
  1. Read interrupt register (Register 0x38h in Bank 0) for FF\_DET\_INT
  2. Read the freefall duration (Registers 0x31h and 0x32h in Bank 0)
- **Note:** As freefall and pedometer share the same output register, they cannot be run concurrently.

## 8.6 TAP DETECTION PROGRAMMING

- Tap Detection configuration parameters
  1. TAP\_TMAX (Register 0x47h in Bank 4)
  2. TAP\_TMIN (Register 0x47h in Bank 4)
  3. TAP\_TAVG (Register 0x47h in Bank 4)
  4. TAP\_MIN\_JERK\_THR (Register 0x46h in Bank 4)
  5. TAP\_MAX\_PEAK\_TOL (Register 0x46h in Bank 4)
  6. TAP\_ENABLE (Register 0x56h in Bank 0)
- Initialize Sensor in a typical configuration
  1. Set accelerometer ODR (Register 0x50h in Bank 0)  
ACCEL\_ODR = 15 for 500 Hz (ODR of 200 Hz or 1 kHz may also be used)
  2. Set power modes and filter configurations as shown below
    - For ODR up to 500 Hz, set Accel to Low Power mode (Register 0x4Eh in Bank 0)  
ACCEL\_MODE = 2 and ACCEL\_LP\_CLK\_SEL = 0, (Register 0x4Dh in Bank 0) for low power mode  
Set filter settings as follows: ACCEL\_DEC2\_M2\_ORD = 2 (Register 0x53h in Bank 0);  
ACCEL\_UI\_FILT\_BW = 4 (Register 0x52h in Bank 0)
    - For ODR of 1 kHz, set Accel to Low Noise mode (Register 0x4Eh in Bank 0)  
ACCEL\_MODE = 1  
Set filter settings as follows: ACCEL\_UI\_FILT\_ORD = 2 (Register 0x53h in Bank 0);  
ACCEL\_UI\_FILT\_BW = 0 (Register 0x52h in Bank 0)
  3. Wait 1 millisecond
- Initialize APEX hardware
  1. Set TAP\_TMAX to 2 (Register 0x47h in Bank 4)
  2. Set TAP\_TMIN to 3 (Register 0x47h in Bank 4)
  3. Set TAP\_TAVG to 3 (Register 0x47h in Bank 4)
  4. Set TAP\_MIN\_JERK\_THR to 17 (Register 0x46h in Bank 4)
  5. Set TAP\_MAX\_PEAK\_TOL to 2 (Register 0x46h in Bank 4)
  6. Wait 1 millisecond
  7. Enable TAP source for INT1 by setting bit 0 in register INT\_SOURCE6 (Register 0x4Dh in Bank 4) to 1. Or if INT2 is selected for TAP, enable TAP source by setting bit 0 in register INT\_SOURCE7 (Register 0x4Eh in Bank 4) to 1.
  8. Wait 50 milliseconds
  9. Turn on TAP feature by setting TAP\_ENABLE to 1 (Register 0x56h in Bank 0)
- Output registers
  1. Read interrupt register (Register 0x38h in Bank 0) for TAP\_DET\_INT
  2. Read the tap count in TAP\_NUM (Register 0x7Bh in Bank 0)
  3. Read the tap axis in TAP\_AXIS (Register 0x7Bh in Bank 0)
  4. Read the polarity of tap pulse in TAP\_DIR (Register 0x7Bh in Bank 0)

## 8.7 WAKE ON MOTION PROGRAMMING

- Wake on Motion configuration parameters
  1. WOM\_X\_TH (Register 0x4Ah in Bank 4)
  2. WOM\_Y\_TH (Register 0x4Bh in Bank 4)
  3. WOM\_Z\_TH (Register 0x4Ch in Bank 4)
  4. WOM\_INT\_MODE (Register 0x57h in Bank 0)
  5. WOM\_MODE (Register 0x57h in Bank 0)
  6. SMD\_MODE (Register 0x57h in Bank 0)
- Initialize Sensor in a typical configuration
  1. Set accelerometer ODR (Register 0x50h in Bank 0)  
ACCEL\_ODR = 9 for 50 Hz
  2. Set Accel to Low Power mode (Register 0x4Eh in Bank 0)  
ACCEL\_MODE = 2 and (Register 0x4Dh in Bank 0), ACCEL\_LP\_CLK\_SEL = 0, for low power mode
  3. Wait 1 millisecond
- Initialize APEX hardware
  1. Set WOM\_X\_TH to 98 (Register 0x4Ah in Bank 4)
  2. Set WOM\_Y\_TH to 98 (Register 0x4Bh in Bank 4)
  3. Set WOM\_Z\_TH to 98 (Register 0x4Ch in Bank 4)
  4. Wait 1 millisecond
  5. Enable all 3 axes as WOM sources for INT1 by setting bits 2:0 in register INT\_SOURCE1 (Register 0x66h in Bank 0) to 1. Or if INT2 is selected for WOM, enable all 3 axes as WOM sources by setting bits 2:0 in register INT\_SOURCE4 (Register 0x69h in Bank 0) to 1.
  6. Wait 50 milliseconds
  7. Turn on WOM feature by setting WOM\_INT\_MODE to 0, WOM\_MODE to 1, SMD\_MODE to 1 (Register 0x56h in Bank 0)
- Output registers
  1. Read interrupt register (Register 0x37h in Bank 0) for WOM\_X\_INT
  2. Read interrupt register (Register 0x37h in Bank 0) for WOM\_Y\_INT
  3. Read interrupt register (Register 0x37h in Bank 0) for WOM\_Z\_INT

## 8.8 SIGNIFICANT MOTION DETECTION PROGRAMMING

- Significant Motion Detection configuration parameters
  1. WOM\_X\_TH (Register 0x4Ah in Bank 4)
  2. WOM\_Y\_TH (Register 0x4Bh in Bank 4)
  3. WOM\_Z\_TH (Register 0x4Ch in Bank 4)
  4. WOM\_INT\_MODE (Register 0x57h in Bank 0)
  5. WOM\_MODE (Register 0x57h in Bank 0)
  6. SMD\_MODE (Register 0x57h in Bank 0)
- Initialize Sensor in a typical configuration
  1. Set accelerometer ODR (Register 0x50h in Bank 0)  
ACCEL\_ODR = 9 for 50 Hz
  2. Set Accel to Low Power mode (Register 0x4Eh in Bank 0)  
ACCEL\_MODE = 2 and (Register 0x4Dh in Bank 0), ACCEL\_LP\_CLK\_SEL = 0, for low power mode
  3. Wait 1 millisecond
- Initialize APEX hardware
  1. Set WOM\_X\_TH to 98 (Register 0x4Ah in Bank 4)
  2. Set WOM\_Y\_TH to 98 (Register 0x4Bh in Bank 4)

3. Set WOM\_Z\_TH to 98 (Register 0x4Ch in Bank 4)
  4. Wait 1 millisecond
  5. Enable SMD source for INT1 by setting bit 3 in register INT\_SOURCE1 (Register 0x66h in Bank 0) to 1. Or if INT2 is selected for SMD, enable SMD source by setting bit 3 in register INT\_SOURCE4 (Register 0x69h in Bank 0) to 1.
  6. Wait 50 milliseconds
  7. Turn on SMD feature by setting WOM\_INT\_MODE to 0, WOM\_MODE to 1, SMD\_MODE to 3 (Register 0x56h in Bank 0)
- Output registers
    1. Read interrupt register (Register 0x37h in Bank 0) for SMD\_INT

## 9 DIGITAL INTERFACE

### 9.1 I3C<sup>SM</sup>, I<sup>2</sup>C, AND SPI SERIAL INTERFACES

The internal registers and memory of the IIM-42352 can be accessed using I3C<sup>SM</sup> at 12.5 MHz (data rates up to 12.5 Mbps in SDR mode, 25 Mbps in DDR mode), I<sup>2</sup>C at 1 MHz or SPI at 24 MHz. SPI operates in 3-wire or 4-wire mode. Pin assignments for serial interfaces are described in Section 3.1.

### 9.2 I3C<sup>SM</sup> INTERFACE

I3C<sup>SM</sup> is a new 2-wire digital interface comprised of the signals serial data (SDA) and serial clock (SCLK). I3C<sup>SM</sup> is intended to improve upon the I<sup>2</sup>C interface, while preserving backward compatibility.

I3C<sup>SM</sup> carries the advantages of I<sup>2</sup>C in simplicity, low pin count, easy board design, and multi-drop (vs. point to point), but provides the higher data rates, simpler pads, and lower power of SPI. I3C<sup>SM</sup> adds higher throughput for a given frequency, in-band interrupts (from slave to master), dynamic addressing.

IIM-42352 supports the following features of I3C<sup>SM</sup>:

- SDR data rate up to 12.5 Mbps
- DDR data rate up to 25 Mbps
- Dynamic address allocation
- In-band Interrupt (IBI) support
- Support for asynchronous timing control mode 0
- Error detection (CRC and/or Parity)
- Common Command Code (CCC)

The IIM-42352 always operates as an I3C<sup>SM</sup> slave device when communicating to the system processor, which thus acts as the I3C<sup>SM</sup> master. I3C<sup>SM</sup> master controls an active pull-up resistance on SDA, which it can enable and disable. The pull-up resistance may be a board level resistor controlled by a pin, or it may be internal to the I3C<sup>SM</sup> master.

### 9.3 I<sup>2</sup>C INTERFACE

I<sup>2</sup>C is a two-wire interface comprised of the signals serial data (SDA) and serial clock (SCL). In general, the lines are open-drain and bi-directional. In a generalized I<sup>2</sup>C interface implementation, attached devices can be a master or a slave. The master device puts the slave address on the bus, and the slave device with the matching address acknowledges the master.

The IIM-42352 always operates as a slave device when communicating to the system processor, which thus acts as the master. SDA and SCL lines typically need pull-up resistors to VDDIO. The maximum bus speed is 1 MHz.

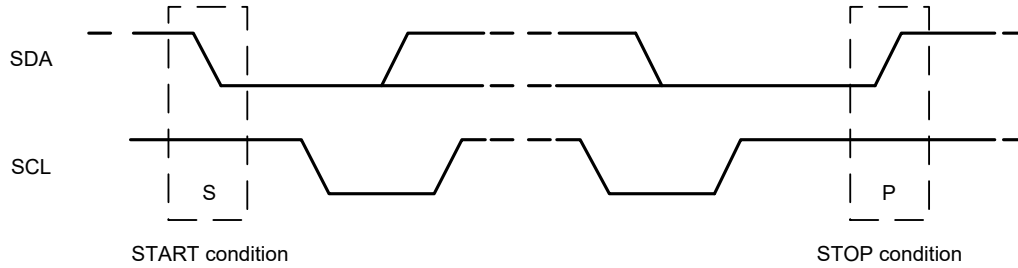
The slave address of the IIM-42352 is b110100X, which is 7 bits long. The LSB bit of the 7-bit address is determined by the logic level on pin AP\_AD0. This allows two IIM-42352s to be connected to the same I<sup>2</sup>C bus. When used in this configuration, the address of one of the devices should be b1101000 (pin AP\_AD0 is logic low) and the address of the other should be b1101001 (pin AP\_AD0 is logic high).

### 9.4 I<sup>2</sup>C COMMUNICATIONS PROTOCOL

#### *START (S) and STOP (P) Conditions*

Communication on the I<sup>2</sup>C bus starts when the master puts the START condition (S) on the bus, which is defined as a HIGH-to-LOW transition of the SDA line while SCL line is HIGH (see figure below). The bus is considered to be busy until the master puts a STOP condition (P) on the bus, which is defined as a LOW to HIGH transition on the SDA line while SCL is HIGH (see figure below).

Additionally, the bus remains busy if a repeated START (Sr) is generated instead of a STOP condition.



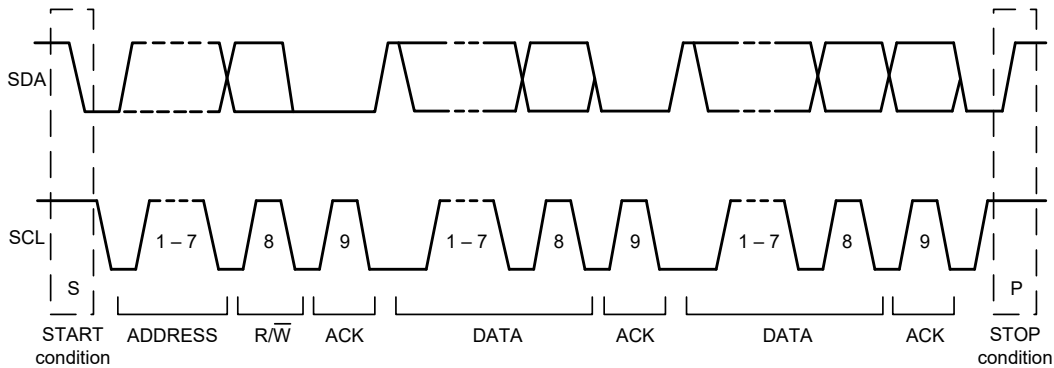
**Figure 12. START and STOP Conditions**

*Data Format / Acknowledge*

I<sup>2</sup>C data bytes are defined to be 8-bits long. There is no restriction to the number of bytes transmitted per data transfer. Each byte transferred must be followed by an acknowledge (ACK) signal. The clock for the acknowledge signal is generated by the master, while the receiver generates the actual acknowledge signal by pulling down SDA and holding it low during the HIGH portion of the acknowledge clock pulse.

*Communications*

After beginning communications with the START condition (S), the master sends a 7-bit slave address followed by an 8<sup>th</sup> bit, the read/write bit. The read/write bit indicates whether the master is receiving data from or is writing to the slave device. Then, the master releases the SDA line and waits for the acknowledge signal (ACK) from the slave device. Each byte transferred must be followed by an acknowledge bit. To acknowledge, the slave device pulls the SDA line LOW and keeps it LOW for the high period of the SCL line. Data transmission is always terminated by the master with a STOP condition (P), thus freeing the communications line. However, the master can generate a repeated START condition (Sr), and address another slave without first generating a STOP condition (P). A LOW to HIGH transition on the SDA line while SCL is HIGH defines the stop condition. All SDA changes should take place when SCL is low, with the exception of start and stop conditions.



**Figure 13. Complete I<sup>2</sup>C Data Transfer**

To write the internal IIM-42352 registers, the master transmits the start condition (S), followed by the I<sup>2</sup>C address and the write bit (0). At the 9<sup>th</sup> clock cycle (when the clock is high), the IIM-42352 acknowledges the transfer. Then the master puts the register address (RA) on the bus. After the IIM-42352 acknowledges the reception of the register address, the master puts the register data onto the bus. This is followed by the ACK signal, and data transfer may be concluded by the stop condition (P). To write multiple bytes after the last ACK signal, the master can continue outputting data rather than transmitting a stop signal. In this case, the IIM-42352 automatically increments the register address and loads the data to the appropriate register. The following figures show single and two-byte write sequences.

*Single-Byte Write Sequence*

Master	S	AD+W		RA		DATA		P
Slave			ACK		ACK		ACK	

*Burst Write Sequence*

Master	S	AD+W		RA		DATA		DATA		P
Slave			ACK		ACK		ACK		ACK	

To read the internal IIM-42352 registers, the master sends a start condition, followed by the I<sup>2</sup>C address and a write bit, and then the register address that is going to be read. Upon receiving the ACK signal from the IIM-42352, the master transmits a start signal followed by the slave address and read bit. As a result, the IIM-42352 sends an ACK signal and the data. The communication ends with a not acknowledge (NACK) signal and a stop bit from master. The NACK condition is defined such that the SDA line remains high at the 9<sup>th</sup> clock cycle. The following figures show single- and two-byte read sequences.

*Single-Byte Read Sequence*

Master	S	AD+W		RA		S	AD+R			NACK	P
Slave			ACK		ACK			ACK	DATA		

*Burst Read Sequence*

Master	S	AD+W		RA		S	AD+R			ACK		NACK	P
Slave			ACK		ACK			ACK	DATA		DATA		



## 9.5 I<sup>2</sup>C TERMS

SIGNAL	DESCRIPTION
S	Start Condition: SDA goes from high to low while SCL is high
AD	Slave I <sup>2</sup> C address
W	Write bit (0)
R	Read bit (1)
ACK	Acknowledge: SDA line is low while the SCL line is high at the 9 <sup>th</sup> clock cycle
NACK	Not-Acknowledge: SDA line stays high at the 9 <sup>th</sup> clock cycle
RA	IIM-42352 internal register address
DATA	Transmit or received data
P	Stop condition: SDA going from low to high while SCL is high

**Table 13. I<sup>2</sup>C Terms**

## 9.6 SPI INTERFACE

The IIM-42352 supports 3-wire or 4-wire SPI for the host interface. The IIM-42352 always operates as a Slave device during standard Master-Slave SPI operation.

With respect to the Master, the Serial Clock output (SCLK), the Serial Data Output (SDO), the Serial Data Input (SDI), and the Serial Data IO (SDIO) are shared among the Slave devices. Each SPI slave device requires its own Chip Select (CS) line from the master.

CS goes low (active) at the start of transmission and goes back high (inactive) at the end. Only one CS line is active at a time, ensuring that only one slave is selected at any given time. The CS lines of the non-selected slave devices are held high, causing their SDO lines to remain in a high-impedance (high-z) state so that they do not interfere with any active devices.

### *SPI Operational Features*

1. Data is delivered MSB first and LSB last
2. Data is latched on the rising edge of SCLK
3. Data should be transitioned on the falling edge of SCLK
4. The maximum frequency of SCLK is 24 MHz
5. SPI read operations are completed in 16 or more clock cycles (two or more bytes). The first byte contains the SPI Address, and the following byte(s) contain(s) the SPI data. The first bit of the first byte contains the Read/Write bit and indicates the Read (1) operation. The following 7 bits contain the Register Address. In cases of multiple-byte Reads, data is two or more bytes:

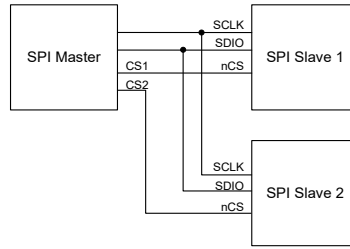
#### *SPI Address format*

MSB							LSB
R/W	A6	A5	A4	A3	A2	A1	A0

#### *SPI Data format*

MSB							LSB
D7	D6	D5	D4	D3	D2	D1	D0

6. SPI write operations are completed in 16 clock cycles (two bytes). The first byte contains the SPI Address, and the second byte contains the SPI data. The first bit of the first byte contains the Read/Write bit and indicates the Write (0) operation. The following 7 bits contain the Register Address.
7. Supports Single or Burst Reads and Single Writes.



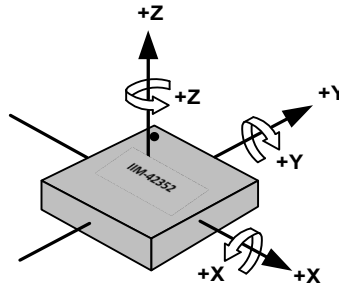
**Figure 14. Typical SPI Master/Slave Configuration**

## 10 ASSEMBLY

This section provides general guidelines for assembling InvenSense Micro Electro-Mechanical Systems (MEMS) accelerometer packaged in LGA package.

### 10.1 ORIENTATION OF AXES

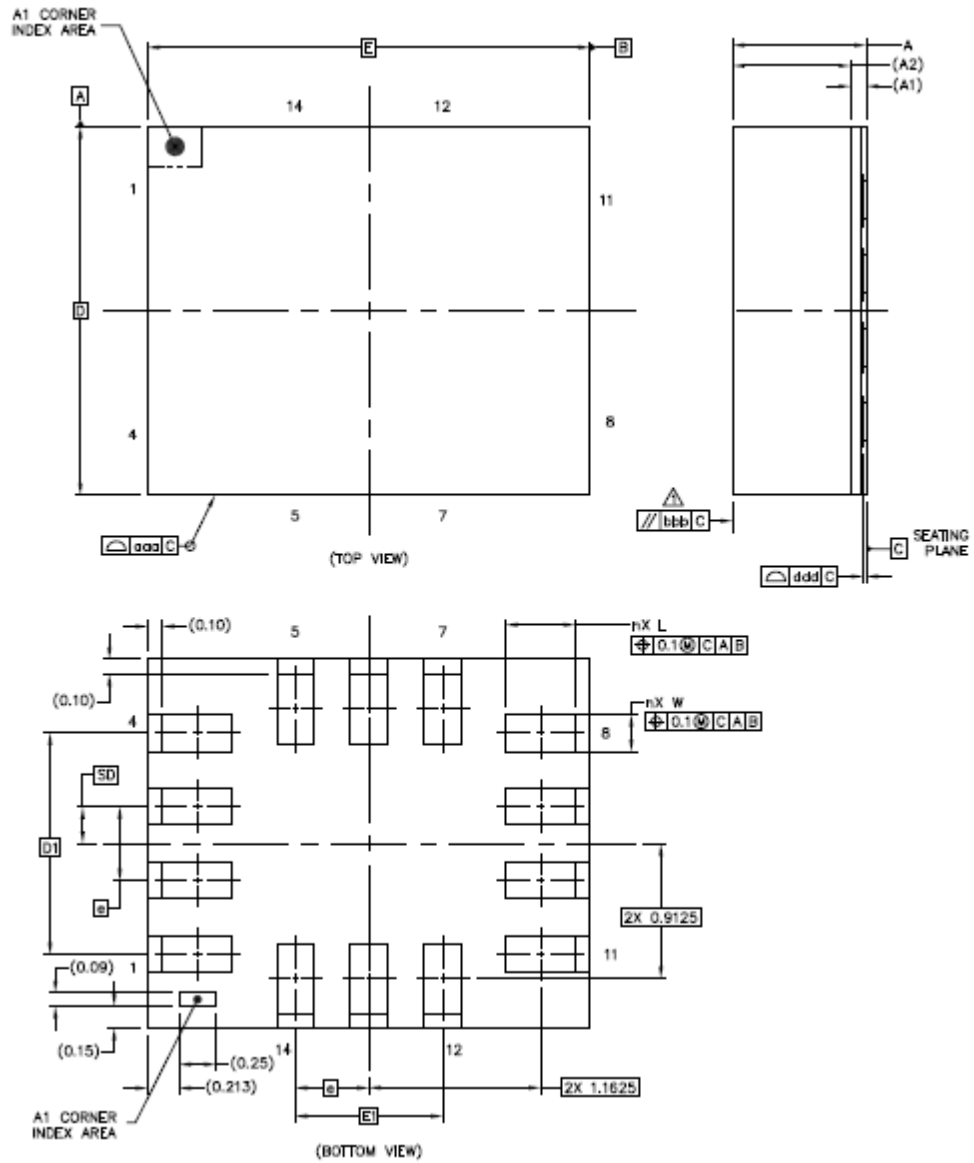
The diagram below shows the orientation of the axes of sensitivity and the polarity of rotation. Note the pin 1 identifier (•) in the figure.



**Figure 15. Orientation of Axes of Sensitivity and Polarity of Rotation**

**10.2 PACKAGE DIMENSIONS**

14 Lead LGA (2.5x3x0.91) mm NiAu pad finish



**Figure 16. Package Dimensions**

	SYMBOLS	DIMENSIONS IN MILLIMETERS		
		MIN	NOM	MAX
<b>Total Thickness</b>	<b>A</b>	0.85	0.91	0.97
<b>Substrate Thickness</b>	<b>A1</b>	0.105		REF
<b>Mold Thickness</b>	<b>A2</b>	0.8		REF
<b>Body Size</b>	<b>D</b>		2.5	BSC
	<b>E</b>		3	BSC
<b>Lead Width</b>	<b>W</b>	0.2	0.25	0.3
<b>Lead Length</b>	<b>L</b>	0.425	0.475	0.525
<b>Lead Pitch</b>	<b>e</b>	0.5		BSC
<b>Lead Count</b>	<b>n</b>	14		
<b>Edge Pin Center to Center</b>	<b>D1</b>	1.5		BSC
	<b>E1</b>	1		BSC
<b>Body Center to Contact Pin</b>	<b>SD</b>	0.25		BSC
<b>Package Edge Tolerance</b>	<b>aaa</b>	0.1		
<b>Mold Flatness</b>	<b>bbb</b>	0.2		
<b>Coplanarity</b>	<b>ddd</b>	0.08		

**Table 14. Package Dimensions**

## 11 PART NUMBER PACKAGE MARKING

The part number package marking for IIM-42352 devices is summarized below:

PART NUMBER	PART NUMBER PACKAGE MARKING
IIM-42352	I4352

Table 15. Part Number Package Marking

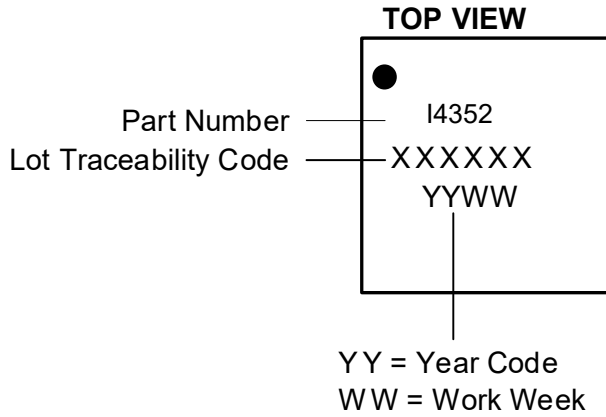


Figure 17. Part Number Package Marking

## 12 USE NOTES

### 12.1 ACCELEROMETER MODE TRANSITIONS

When transitioning from accelerometer Low Power (LP) mode to accelerometer Low Noise (LN) mode, if ODR is 6.25 Hz or lower, software should change ODR to a value of 12.5 Hz or higher, because accelerometer LN mode does not support ODR values below 12.5 Hz.

When transitioning from accelerometer LN mode to accelerometer LP mode, if ODR is greater than 500 Hz, software should change ODR to a value of 500 Hz or lower, because accelerometer LP mode does not support ODR values above 500 Hz.

### 12.2 ACCELEROMETER LOW POWER (LP) MODE AVERAGING FILTER SETTING

Software drivers provided with the device use Averaging Filter setting of 16x. This setting is recommended for meeting Android noise requirements in LP mode, and to minimize accelerometer offset variation when transitioning from LP to Low Noise (LN) mode. 1x averaging filter can be used by following the setting configuration shown in section 14.39.

### 12.3 SETTINGS FOR I<sup>2</sup>C, I3C<sup>SM</sup>, AND SPI OPERATION

Upon bootup the device comes up in SPI mode. The following settings should be used for I<sup>2</sup>C, I3C<sup>SM</sup>, and SPI operation.

**Scenario 1:** INT1/INT2 pins are used for interrupt assertion in I3C<sup>SM</sup> mode.

REGISTER FIELD	I <sup>2</sup> C DRIVER SETTING	I3C <sup>SM</sup> DRIVER SETTING	SPI DRIVER SETTING
I3C_EN (bit 4, register INTF_CONFIG6, address 0x7C, bank 1)	1	1	1
I3C_SDR_EN (bit 0, register INTF_CONFIG6, address 0x7C, bank 1)	0	1	1
I3C_DDR_EN (bit 1, register INTF_CONFIG6, address 0x7C, bank 1)	0	0	1
I3C_BUS_MODE (bit 6, register INTF_CONFIG4, address 0x7A, bank 1)	0	0	0
I2C_SLEW_RATE (bits 5:3, register DRIVE_CONFIG, address 0x13, bank 0)	1	0	0
SPI_SLEW_RATE (bits 2:0, register DRIVE_CONFIG, address 0x13, bank 0)	1	3	5

**Scenario 2:** IBI is used for interrupt assertion in I3C<sup>SM</sup> mode.

REGISTER FIELD	I <sup>2</sup> C DRIVER SETTING	I3C <sup>SM</sup> DRIVER SETTING	SPI DRIVER SETTING
I3C_EN (bit 4, register INTF_CONFIG6, address 0x7C, bank 1)	1	1	1
I3C_SDR_EN (bit 0, register INTF_CONFIG6, address 0x7C, bank 1)	0	1	1
I3C_DDR_EN (bit 1, register INTF_CONFIG6, address 0x7C, bank 1)	0	1	1
I3C_BUS_MODE (bit 6, register INTF_CONFIG4, address 0x7A, bank 1)	0	0	0
I2C_SLEW_RATE (bits 5:3, register DRIVE_CONFIG, address 0x13, bank 0)	1	0	0
SPI_SLEW_RATE (bits 2:0, register DRIVE_CONFIG, address 0x13, bank 0)	1	5	5

### 12.4 ANTI-ALIAS FILTER OPERATION

Use of Anti-Alias Filter is supported only for Low Noise (LN) mode operation. The host is responsible for keeping the UI path in LN mode while Anti-Alias Filter are turned on.

## 12.5 EXTERNAL CLOCK INPUT EFFECT ON ODR

ODR values supported by the device scale with external clock frequency, if external clock input is used. The ODR values shown in the datasheet are supported with external clock input frequency of 32 kHz. For any other external clock input frequency, these ODR values will scale by a factor of (External clock value in kHz/32). For example, if an external clock frequency of 32.768 kHz is used, instead of ODR value of 500 Hz, it will be  $500 * (32.768/32) = 512$  Hz.

## 12.6 INT\_ASYNC\_RESET CONFIGURATION

For register INT\_CONFIG1 (bank 0 register 0x64) bit 4 INT\_ASYNC\_RESET, user should change setting to 0 from default setting of 1, for proper INT1 and INT2 pin operation.

## 12.7 FIFO TIMESTAMP INTERVAL SCALING

When RTC\_MODE =1 (bank 0 register 0x4D bit2) and register INTF\_CONFIG5 (bank 1 register 0x7B) bit 2:1 (PIN9\_FUNCTION) is set to 10 for CLKIN input;

THEN

Timestamp interval reported in FIFO requires scaling by a factor of 32.768/30. For example, when ODR = 1 kHz, the true timestamp interval should be 1000  $\mu$ s. But the value in FIFO toggles between 915 and 916  $\mu$ s. After scaling  $915.5 * 32.768/30 = 1000$   $\mu$ s.

ELSE

Timestamp interval reported in FIFO requires scaling by a factor of 32/30. For example when ODR = 1 kHz, the true timestamp interval should be 1000  $\mu$ s. But the value in FIFO toggles between 937 and 938  $\mu$ s. After scaling  $937.5 * 32/30 = 1000$   $\mu$ s.

## 12.8 SUPPLEMENTARY INFORMATION FOR FIFO\_HOLD\_LAST\_DATA\_EN

This section contains supplementary information for using register field FIFO\_HOLD\_LAST\_DATA\_EN (bit 7) of register INTF\_CONFIG0 (address 0x4C, bank 0) .

The following table shows the values in FIFO:

FIFO_HOLD_LAST_DATA_EN		16-BIT FIFO PACKET	20-BIT FIFO PACKET
0 (Insert Invalid code)	Valid sample	All values in: {-32766 to +32767}	Every Other Even number in {-524256 to +524284} Example: {-524256, -524252, -524248, -524244 .....+524280, +524284}
	Invalid sample	-32768	-524288
1 ("copy last valid" mode: No invalid code insertion)	Valid sample	All values in: {-32768 to +32767}	Every Other Even number in {-524288 to +524284} Example: {-524288, -524284, -524280 .....+524280, +524284}
	Invalid sample	Copy last valid sample	

The following table shows the values in sense registers on reset:

	FIFO_HOLD_LAST_DATA_EN = 0	FIFO_HOLD_LAST_DATA_EN = 1
POWER ON RESET TILL FIRST SAMPLE	Accel /Temperature Sensor = -32768	Accel/Temperature Sensor = 0

The following table shows the values in sense registers after first sample is received. As shown in table, the combination of FIFO\_HOLD\_LAST\_DATA\_EN and FSYNC Tag determine the range of values read for valid samples and invalid samples.



FIFO_HOLD_LAST_DATA_EN		FSYNC TAG DISABLED	FSYNC ENABLED ON ONE SENSOR		
			SENSOR SELECTED FOR FSYNC TAG		OTHER SENSOR NOT SELECTED FOR FSYNC TAGGING
			FSYNC TAGGED	FSYNC NOT TAGGED	
0 (Insert Invalid code)	Valid sample	All values in: {-32766 to +32767}	All ODD values in: {-32765 to +32767}	All EVEN values in: {-32766 to +32766}	All values in: {-32766 to +32767}
	Invalid sample	Registers do not receive invalid samples. Registers hold last valid sample until new one arrives			
1 (“copy last valid” mode: No invalid code insertion)	Valid sample	All values in: {-32768 to +32767}	All ODD values in: {-32767 to +32767}	All EVEN values in: {-32768 to +32766}	All values in: {-32768 to +32767}
	Invalid sample	Registers do not receive invalid samples. Registers hold last valid sample until new one arrives			

## 13 REGISTER MAP

This section lists the register map for the IIM-42352, for user banks 0, 1, 2, 4.

### 13.1 USER BANK 0 REGISTER MAP

Addr (Hex)	Addr (Dec.)	Register Name	Serial I/F	Bit7	Bit6	Bit5	Bit4	Bit3	Bit2	Bit1	Bit0	
11	17	DEVICE_CONFIG	R/W	-			SPI_MODE	-			SOFT_RESET_CONFIG	
13	19	DRIVE_CONFIG	R/W	-		I2C_SLEW_RATE			SPI_SLEW_RATE			
14	20	INT_CONFIG	R/W	-		INT2_MODE	INT2_DRIVE_CIRCUIT	INT2_POLARITY	INT1_MODE	INT1_DRIVE_CIRCUIT	INT1_POLARITY	
16	22	FIFO_CONFIG	R/W	FIFO_MODE			-					
1D	29	TEMP_DATA1	SYNCR	TEMP_DATA[15:8]								
1E	30	TEMP_DATA0	SYNCR	TEMP_DATA[7:0]								
1F	31	ACCEL_DATA_X1	SYNCR	ACCEL_DATA_X[15:8]								
20	32	ACCEL_DATA_X0	SYNCR	ACCEL_DATA_X[7:0]								
21	33	ACCEL_DATA_Y1	SYNCR	ACCEL_DATA_Y[15:8]								
22	34	ACCEL_DATA_Y0	SYNCR	ACCEL_DATA_Y[7:0]								
23	35	ACCEL_DATA_Z1	SYNCR	ACCEL_DATA_Z[15:8]								
24	36	ACCEL_DATA_Z0	SYNCR	ACCEL_DATA_Z[7:0]								
2B	43	TMST_FSYNCH	SYNCR	TMST_FSYNC_DATA[15:8]								
2C	44	TMST_FSYNCL	SYNCR	TMST_FSYNC_DATA[7:0]								
2D	45	INT_STATUS	R/C	-	UI_FSYNC_INT	-	RESET_DONE_INT	DATA_RDY_INT	FIFO_THS_INT	FIFO_FULL_INT	AGC_RDY_INT	
2E	46	FIFO_COUNTH	R	FIFO_COUNT[15:8]								
2F	47	FIFO_COUNTL	R	FIFO_COUNT[7:0]								
30	48	FIFO_DATA	R	FIFO_DATA								
31	49	APEX_DATA0	SYNCR	STEP_CNT[7:0] / FF_DUR[7:0]								
32	50	APEX_DATA1	SYNCR	STEP_CNT[15:8] / FF_DUR[15:8]								
33	51	APEX_DATA2	R	STEP_CADENCE								
34	52	APEX_DATA3	R	-					DMP_IDLE	ACTIVITY_CLASS		
35	53	APEX_DATA4	R	-			TAP_NUM	TAP_AXIS		TAP_DIR		
36	54	APEX_DATA5	R	DOUBLE_TAP_TIMING								
37	55	INT_STATUS2	R/C	-				SMD_INT	WOM_Z_INT	WOM_Y_INT	WOM_X_INT	
38	56	INT_STATUS3	R/C	-		STEP_DET_INT	STEP_CNT_OVERFLOW_INT	TILT_DET_INT	-	FF_DET_INT	TAP_DET_INT	
4B	75	SIGNAL_PATH_RESET	W/C	-	DMP_INIT_EN	DMP_MEM_RESET_EN	-	ABORT_AND_RESET	TMST_STROBE	FIFO_FLUSH	-	
4C	76	INTF_CONFIG0	R/W	FIFO_HOLD_L AST_DATA_EN	FIFO_COUNT_REC	FIFO_COUNT_ENDIAN	SENSOR_DATA_ENDIAN	-			UI_SIFS_CFG	
4D	77	INTF_CONFIG1	R/W	-				ACCEL_LP_CLK_SEL	RTC_MODE	CLKSEL		
4E	78	PWR_MGMT0	R/W	-		TEMP_DIS	IDLE	-			ACCEL_MODE	
50	80	ACCEL_CONFIG0	R/W	ACCEL_FS_SEL			-		ACCEL_ODR			
51	81	TEMP_FILT_CONFIG	R/W	TEMP_FILT_BW			-		-			
52	82	ACCEL_FILT_CONFIG	R/W	ACCEL_UI_FILT_BW			-					
53	83	ACCEL_CONFIG1	R/W	-			ACCEL_UI_FILT_ORD		ACCEL_DEC2_M2_ORD		-	
54	84	TMST_CONFIG	R/W	-			TMST_TO_REGS_EN	TMST_RES	TMST_DELTA_EN	TMST_FSYNC_EN	TMST_EN	
56	86	APEX_CONFIG0	R/W	DMP_POWER_SAVE	TAP_ENABLE	PED_ENABLE	TILT_ENABLE	-	FF_ENABLE	DMP_ODR		
57	87	SMD_CONFIG	R/W	-				WOM_INT_MODE	WOM_MODE	SMD_MODE		
5F	95	FIFO_CONFIG1	R/W	-	FIFO_RESUME_PARTIAL_READ	FIFO_WM_G T_TH	FIFO_HIRES_EN	FIFO_TMST_F SYNC_EN	FIFO_TEMP_EN	FIFO_PACKET_EN		

Addr (Hex)	Addr (Dec.)	Register Name	Serial I/F	Bit7	Bit6	Bit5	Bit4	Bit3	Bit2	Bit1	Bit0		
60	96	FIFO_CONFIG2	R/W	FIFO_WM[7:0]									
61	97	FIFO_CONFIG3	R/W	-				FIFO_WM[11:8]					
62	98	FSYNC_CONFIG	R/W	-	FSYNC_UI_SEL			-		FSYNC_UI_FL AG_CLEAR_SEL	FSYNC_POLA RITY		
63	99	INT_CONFIG0	R/W	-	UI_DRDY_INT_CLEAR		FIFO_THS_INT_CLEAR		FIFO_FULL_INT_CLEAR				
64	100	INT_CONFIG1	R/W	-	INT_TPULSE DURATION	INT_TDEASSE RT_DISABLE	INT_ASYNC_ RESET	-					
65	101	INT_SOURCE0	R/W	-	UI_FSYNC_IN T1_EN		RESET_DONE _INT1_EN	UI_DRDY_INT 1_EN	FIFO_THS_IN T1_EN	FIFO_FULL_I NT1_EN	UI_AGC_RDY _INT1_EN		
66	102	INT_SOURCE1	R/W	-	I3C_PROTOC OL_ERROR_I NT1_EN	-		SMD_INT1_E N	WOM_Z_INT 1_EN	WOM_Y_INT 1_EN	WOM_X_INT 1_EN		
68	104	INT_SOURCE3	R/W	-	UI_FSYNC_IN T2_EN		RESET_DONE _INT2_EN	UI_DRDY_INT 2_EN	FIFO_THS_IN T2_EN	FIFO_FULL_I NT2_EN	UI_AGC_RDY _INT2_EN		
69	105	INT_SOURCE4	R/W	-	I3C_PROTOC OL_ERROR_I NT2_EN	-		SMD_INT2_E N	WOM_Z_INT 2_EN	WOM_Y_INT 2_EN	WOM_X_INT 2_EN		
6C	108	FIFO_LOST_PKT0	R	FIFO_LOST_PKT_CNT[15:8]									
6D	109	FIFO_LOST_PKT1	R	FIFO_LOST_PKT_CNT[7:0]									
70	112	SELF_TEST_CONFIG	R/W		ACCEL_ST_P OWER	EN_AZ_ST	EN_AY_ST	EN_AX_ST	-	-	-		
75	117	WHO_AM_I	R	WHOAMI									
76	118	REG_BANK_SEL	R/W	-						BANK_SEL			

### 13.2 USER BANK 1 REGISTER MAP

Addr (Hex)	Addr (Dec.)	Register Name	Serial I/F	Bit7	Bit6	Bit5	Bit4	Bit3	Bit2	Bit1	Bit0		
03	03	SENSOR_CONFIG0	R/W	-					ZA_DISABLE	YA_DISABLE	XA_DISABLE		
62	98	TMSTVAL0	R	TMST_VALUE[7:0]									
63	99	TMSTVAL1	R	TMST_VALUE[15:8]									
64	100	TMSTVAL2	R	-				TMST_VALUE[19:16]					
7A	122	INTF_CONFIG4	R/W	-	I3C_BUS_MO DE	-			SPI_AP_4WIR E	-			
7B	123	INTF_CONFIG5	R/W	-							PIN9_FUNCTION		-
7C	124	INTF_CONFIG6	R/W	-			I3C_EN	I3C_IBI_BYTE _EN	I3C_IBI_EN	I3C_DDR_EN	I3C_SDR_EN		

### 13.3 USER BANK 2 REGISTER MAP

Addr (Hex)	Addr (Dec.)	Register Name	Serial I/F	Bit7	Bit6	Bit5	Bit4	Bit3	Bit2	Bit1	Bit0
03	03	ACCEL_CONFIG_STATIC2	R/W	-	ACCEL_AAF_DELT						ACCEL_AAF_ DIS
04	04	ACCEL_CONFIG_STATIC3	R/W	ACCEL_AAF_DELTSQR[7:0]							
05	05	ACCEL_CONFIG_STATIC4	R/W	ACCEL_AAF_BITSHIFT				ACCEL_AAF_DELTSQR[11:8]			
3B	59	XA_ST_DATA	R/W	XA_ST_DATA							
3C	60	YA_ST_DATA	R/W	YA_ST_DATA							
3D	61	ZA_ST_DATA	R/W	ZA_ST_DATA							

### 13.4 USER BANK 3 REGISTER MAP

Addr (Hex)	Addr (Dec.)	Register Name	Serial I/F	Bit7	Bit6	Bit5	Bit4	Bit3	Bit2	Bit1	Bit0
06	06	PU_PD_CONFIG1	R/W	PIN11_PU_E N	PIN7_PU_EN	-	PIN9_PD_EN	PIN10_PU_E N	PIN3_PU_EN	PIN2_PU_EN	PIN4_PD_EN
0E	14	PU_PD_CONFIG2	R/W	PIN1_PU_EN	PIN1_PD_EN	PIN12_PU_E N	PIN12_PD_E N	PIN14_PU_E N	PIN14_PD_E N	PIN13_PU_E N	PIN13_PD_E N

### 13.5 USER BANK 4 REGISTER MAP

Addr (Hex)	Addr (Dec.)	Register Name	Serial I/F	Bit7	Bit6	Bit5	Bit4	Bit3	Bit2	Bit1	Bit0
09	09	FDR_CONFIG	R/W	FDR_SEL							
40	64	APEX_CONFIG1	R/W	LOW_ENERGY_AMP_TH_SEL				DMP_POWER_SAVE_TIME_SEL			
41	65	APEX_CONFIG2	R/W	PED_AMP_TH_SEL				PED_STEP_CNT_TH_SEL			
42	66	APEX_CONFIG3	R/W	PED_STEP_DET_TH_SEL			PED_SB_TIMER_TH_SEL			PED_HI_EN_TH_SEL	
43	67	APEX_CONFIG4	R/W	TILT_WAIT_TIME_SEL		LOWG_PEAK_TH_HYST_SEL			HIGHG_PEAK_TH_HYST_SEL		
44	68	APEX_CONFIG5	R/W	LOWG_PEAK_TH_SEL				LOWG_TIME_TH_SEL			
45	69	APEX_CONFIG6	R/W	HIGHG_PEAK_TH_SEL				HIGHG_TIME_TH_SEL			
46	70	APEX_CONFIG7	R/W	TAP_MIN_JERK_THR							TAP_MAX_PEAK_TOL
47	71	APEX_CONFIG8	R/W	-	TAP_TMAX		TAP_TAVG		TAP_TMIN		
48	72	APEX_CONFIG9	R/W	-							SENSITIVITY_MODE
49	73	APEX_CONFIG10	R/W	FF_MIN_DURATION_CM			FF_MAX_DURATION_CM			FF_DEBOUNCE_DURATION	
4A	74	ACCEL_WOM_X_THR	R/W	WOM_X_TH							
4B	75	ACCEL_WOM_Y_THR	R/W	WOM_Y_TH							
4C	76	ACCEL_WOM_Z_THR	R/W	WOM_Z_TH							
4D	77	INT_SOURCE6	R/W	-	STEP_DET_IN_T1_EN	STEP_CNT_O FL_INT1_EN	TILT_DET_IN_T1_EN	-	FREEFALL_DE T_INT1_EN	TAP_DET_INT1_EN	
4E	78	INT_SOURCE7	R/W	-	STEP_DET_IN_T2_EN	STEP_CNT_O FL_INT2_EN	TILT_DET_IN_T2_EN	-	FREEFALL_DE T_INT2_EN	TAP_DET_INT2_EN	
4F	79	INT_SOURCE8	R/W	-	FSYNC_IBI_EN		UI_DRDY_IBI_EN	FIFO_THS_IBI_EN	FIFO_FULL_IBI_EN	AGC_RDY_IBI_EN	
50	80	INT_SOURCE9	R/W	I3C_PROTOCOL_ERROR_IBI_EN	-		SMD_IBI_EN	WOM_Z_IBI_EN	WOM_Y_IBI_EN	WOM_X_IBI_EN	-
51	81	INT_SOURCE10	R/W	-	STEP_DET_IBI_EN	STEP_CNT_O FL_IBI_EN	TILT_DET_IBI_EN	-	FREEFALL_DE T_IBI_EN	TAP_DET_IBI_EN	
7B	123	OFFSET_USER4	R/W	ACCEL_X_OFFUSER[11:8]				Reserved			
7C	124	OFFSET_USER5	R/W	ACCEL_X_OFFUSER[7:0]							
7D	125	OFFSET_USER6	R/W	ACCEL_Y_OFFUSER[7:0]							
7E	126	OFFSET_USER7	R/W	ACCEL_Z_OFFUSER[11:8]				ACCEL_Y_OFFUSER[11:8]			
7F	127	OFFSET_USER8	R/W	ACCEL_Z_OFFUSER[7:0]							

Detailed register descriptions are provided in the sections that follow. Please note the following regarding Clock Domain for each register:

- Clock Domain: SCLK\_UI means that the register is controlled from the UI interface

Register fields marked as Reserved must not be modified by the user. The Reset Value of the register can be used to determine the default value of reserved register fields, and unless otherwise noted this default value must be maintained even if the values of other register fields are modified by the user.

### 13.6 REGISTER VALUES MODIFICATION

The only register settings that user can modify during sensor operation are for ODR selection, FSR selection, and sensor mode changes (register parameters ACCEL\_ODR, ACCEL\_FS\_SEL, ACCEL\_MODE). User must not modify any other register values during sensor operation. The following procedure must be used for other register values modification.

- Turn Accel Off
- Modify register values
- Turn Accel On

## 14 USER BANK 0 REGISTER MAP – DESCRIPTIONS

This section describes the function and contents of each register within USR Bank 0.

**Note:** The device powers up in sleep mode.

### 14.1 DEVICE\_CONFIG

Name: DEVICE_CONFIG		
Address: 17 (11h)		
Serial IF: R/W		
Reset value: 0x00		
Clock Domain: SCLK_UI		
BIT	NAME	FUNCTION
7:5	-	Reserved
4	SPI_MODE	SPI mode selection 0: Mode 0 and Mode 3 (default) 1: Mode 1 and Mode 2
3:1	-	Reserved
0	SOFT_RESET_CONFIG	Software reset configuration 0: Normal (default) 1: Enable reset After writing 1 to this bitfield, wait 1ms for soft reset to be effective, before attempting any other register access

### 14.2 DRIVE\_CONFIG

Name: DRIVE_CONFIG		
Address: 19 (13h)		
Serial IF: R/W		
Reset value: 0x05		
Clock Domain: SCLK_UI		
BIT	NAME	FUNCTION
7:6	-	Reserved
5:3	I2C_SLEW_RATE	Controls slew rate for output pin 14 in I <sup>2</sup> C mode only 000: 20ns-60ns 001: 12ns-36ns 010: 6ns-18ns 011: 4ns-12ns 100: 2ns-6ns 101: < 2ns 110: Reserved 111: Reserved
2:0	SPI_SLEW_RATE	Controls slew rate for output pin 14 in SPI or I3C <sup>SM</sup> mode, and for all other output pins 000: 20ns-60ns 001: 12ns-36ns 010: 6ns-18ns 011: 4ns-12ns 100: 2ns-6ns 101: < 2ns 110: Reserved 111: Reserved

### 14.3 INT\_CONFIG

Name: INT_CONFIG		
Address: 20 (14h)		
Serial IF: R/W		
Reset value: 0x00		
Clock Domain: SCLK_UI		
BIT	NAME	FUNCTION
7:6	-	Reserved
5	INT2_MODE	INT2 interrupt mode 0: Pulsed mode 1: Latched mode
4	INT2_DRIVE_CIRCUIT	INT2 drive circuit 0: Open drain 1: Push pull
3	INT2_POLARITY	INT2 interrupt polarity 0: Active low (default) 1: Active high
2	INT1_MODE	INT1 interrupt mode 0: Pulsed mode 1: Latched mode
1	INT1_DRIVE_CIRCUIT	INT1 drive circuit 0: Open drain 1: Push pull
0	INT1_POLARITY	INT1 interrupt polarity 0: Active low (default) 1: Active high

### 14.4 FIFO\_CONFIG

Name: FIFO_CONFIG		
Address: 22 (16h)		
Serial IF: R/W		
Reset value: 0x00		
Clock Domain: SCLK_UI		
BIT	NAME	FUNCTION
7:6	FIFO_MODE	00: Bypass Mode (default) 01: Stream-to-FIFO Mode 10: STOP-on-FULL Mode 11: STOP-on-FULL Mode
5:0	-	Reserved

### 14.5 TEMP\_DATA1

Name: TEMP_DATA1		
Address: 29 (1Dh)		
Serial IF: SYNCR		
Reset value: 0x80		
Clock Domain: SCLK_UI		
BIT	NAME	FUNCTION
7:0	TEMP_DATA[15:8]	Upper byte of temperature data

## 14.6 TEMP\_DATA0

Name: TEMP_DATA0 Address: 30 (1Eh) Serial IF: SYNCR Reset value: 0x00 Clock Domain: SCLK_UI		
BIT	NAME	FUNCTION
7:0	TEMP_DATA[7:0]	Lower byte of temperature data

Temperature data value from the sensor data registers can be converted to degrees centigrade by using the following formula:

$$\text{Temperature in Degrees Centigrade} = (\text{TEMP\_DATA} / 132.48) + 25$$

FIFO\_TEMP\_DATA, temperature data stored in FIFO, can be 8-bit or 16-bit quantity. The 8-bit of temperature data stored in FIFO is limited to -40°C to 85°C range, while the 16-bit representation can support the full operating temperature range. It can be converted to degrees centigrade by using the following formula:

$$\text{Temperature in Degrees Centigrade} = (\text{FIFO\_TEMP\_DATA} / 2.07) + 25$$

## 14.7 ACCEL\_DATA\_X1

Name: ACCEL_DATA_X1 Address: 31 (1Fh) Serial IF: SYNCR Reset value: 0x80 Clock Domain: SCLK_UI		
BIT	NAME	FUNCTION
7:0	ACCEL_DATA_X[15:8]	Upper byte of Accel X-axis data

## 14.8 ACCEL\_DATA\_X0

Name: ACCEL_DATA_X0 Address: 32 (20h) Serial IF: SYNCR Reset value: 0x00 Clock Domain: SCLK_UI		
BIT	NAME	FUNCTION
7:0	ACCEL_DATA_X[7:0]	Lower byte of Accel X-axis data

## 14.9 ACCEL\_DATA\_Y1

Name: ACCEL_DATA_Y1 Address: 33 (21h) Serial IF: SYNCR Reset value: 0x80 Clock Domain: SCLK_UI		
BIT	NAME	FUNCTION
7:0	ACCEL_DATA_Y[15:8]	Upper byte of Accel Y-axis data

## 14.10 ACCEL\_DATA\_Y0

Name: ACCEL_DATA_Y0 Address: 34 (22h) Serial IF: SYNCR Reset value: 0x00 Clock Domain: SCLK_UI		
BIT	NAME	FUNCTION
7:0	ACCEL_DATA_Y[7:0]	Lower byte of Accel Y-axis data

### 14.11 ACCEL\_DATA\_Z1

Name: ACCEL_DATA_Z1		
Address: 35 (23h)		
Serial IF: SYNCR		
Reset value: 0x80		
Clock Domain: SCLK_UI		
BIT	NAME	FUNCTION
7:0	ACCEL_DATA_Z[15:8]	Upper byte of Accel Z-axis data

### 14.12 ACCEL\_DATA\_Z0

Name: ACCEL_DATA_Z0		
Address: 36 (24h)		
Serial IF: SYNCR		
Reset value: 0x00		
Clock Domain: SCLK_UI		
BIT	NAME	FUNCTION
7:0	ACCEL_DATA_Z[7:0]	Lower byte of Accel Z-axis data

### 14.13 TMST\_FSYNCH

Name: TMST_FSYNCH		
Address: 43 (2Bh)		
Serial IF: SYNCR		
Reset value: 0x00		
Clock Domain: SCLK_UI		
BIT	NAME	FUNCTION
7:0	TMST_FSYNC_DATA[15:8]	Stores the upper byte of the time delta from the rising edge of FSYNC to the latest ODR until the UI Interface reads the FSYNC tag in the status register

### 14.14 TMST\_FSYNCL

Name: TMST_FSYNCL		
Address: 44 (2Ch)		
Serial IF: SYNCR		
Reset value: 0x00		
Clock Domain: SCLK_UI		
BIT	NAME	FUNCTION
7:0	TMST_FSYNC_DATA[7:0]	Stores the lower byte of the time delta from the rising edge of FSYNC to the latest ODR until the UI Interface reads the FSYNC tag in the status register



### 14.15 INT\_STATUS

Name: INT_STATUS Address: 45 (2Dh) Serial IF: R/C Reset value: 0x10 Clock Domain: SCLK_UI		
BIT	NAME	FUNCTION
7	-	Reserved
6	UI_FSYNC_INT	This bit automatically sets to 1 when a UI FSYNC interrupt is generated. The bit clears to 0 after the register has been read.
5	-	Reserved
4	RESET_DONE_INT	This bit automatically sets to 1 when software reset is complete. The bit clears to 0 after the register has been read.
3	DATA_RDY_INT	This bit automatically sets to 1 when a Data Ready interrupt is generated. The bit clears to 0 after the register has been read.
2	FIFO_THS_INT	This bit automatically sets to 1 when the FIFO buffer reaches the threshold value. The bit clears to 0 after the register has been read.
1	FIFO_FULL_INT	This bit automatically sets to 1 when the FIFO buffer is full. The bit clears to 0 after the register has been read.
0	AGC_RDY_INT	This bit automatically sets to 1 when an AGC Ready interrupt is generated. The bit clears to 0 after the register has been read.

### 14.16 FIFO\_COUNTH

Name: FIFO_COUNTH Address: 46 (2Eh) Serial IF: R Reset value: 0x00 Clock Domain: SCLK_UI		
BIT	NAME	FUNCTION
7:0	FIFO_COUNT[15:8]	High Bits, count indicates the number of records or bytes available in FIFO according to FIFO_COUNT_REC setting. Note: Must read FIFO_COUNTL to latch new data for both FIFO_COUNTH and FIFO_COUNTL.

### 14.17 FIFO\_COUNTL

Name: FIFO_COUNTL Address: 47 (2Fh) Serial IF: R Reset value: 0x00 Clock Domain: SCLK_UI		
BIT	NAME	FUNCTION
7:0	FIFO_COUNT[7:0]	Low Bits, count indicates the number of records or bytes available in FIFO according to FIFO_COUNT_REC setting. Reading this byte latches the data for both FIFO_COUNTH, and FIFO_COUNTL.

### 14.18 FIFO\_DATA

Name: FIFO_DATA Address: 48 (30h) Serial IF: R Reset value: 0xFF Clock Domain: SCLK_UI		
BIT	NAME	FUNCTION
7:0	FIFO_DATA	FIFO data port

### 14.19 APEX\_DATA0

Name: APEX_DATA0 Address: 49 (31h) Serial IF: SYNCR Reset value: 0x00 Clock Domain: SCLK_UI		
BIT	NAME	FUNCTION
7:0	STEP_CNT[7:0]	Pedometer Output: Lower byte of Step Count measured by pedometer

### 14.20 APEX\_DATA1

Name: APEX_DATA1 Address: 50 (32h) Serial IF: SYNCR Reset value: 0x00 Clock Domain: SCLK_UI		
BIT	NAME	FUNCTION
7:0	STEP_CNT[15:8]	Pedometer Output: Upper byte of Step Count measured by pedometer

### 14.21 APEX\_DATA2

Name: APEX_DATA2 Address: 51 (33h) Serial IF: R Reset value: 0x00 Clock Domain: SCLK_UI		
BIT	NAME	FUNCTION
7:0	STEP_CADENCE	Pedometer Output: Walk/run cadence in number of samples. Format is u6.2. e.g. At 50 Hz ODR and 2 Hz walk frequency, the cadence is 25 samples. The register will output 100.

### 14.22 APEX\_DATA3

Name: APEX_DATA3 Address: 52 (34h) Serial IF: R Reset value: 0x04 Clock Domain: SCLK_UI		
BIT	NAME	FUNCTION
7:3	-	Reserved
2	DMP_IDLE	0: Indicates DMP is running 1: Indicates DMP is idle
1:0	ACTIVITY_CLASS	Pedometer Output: Detected activity 00: Unknown 01: Walk 10: Run 11: Reserved

### 14.23 APEX\_DATA4

Name: APEX_DATA4 Address: 53 (35h) Serial IF: R Reset value: 0x00 Clock Domain: SCLK_UI		
BIT	NAME	FUNCTION
7:5	-	Reserved
4:3	TAP_NUM	Tap Detection Output: Number of taps in the current Tap event 00: No tap 01: Single tap 10: Double tap 11: Reserved
2:1	TAP_AXIS	Tap Detection Output: Represents the accelerometer axis on which tap energy is concentrated 00: X-axis 01: Y-axis 10: Z-axis 11: Reserved
0	TAP_DIR	Tap Detection Output: Polarity of tap pulse 0: Current accelerometer value – Previous accelerometer value is a positive value 1: Current accelerometer value – Previous accelerometer value is a negative value or zero

### 14.24 APEX\_DATA5

Name: APEX_DATA5 Address: 54 (36h) Serial IF: R Reset value: 0x00 Clock Domain: SCLK_UI		
BIT	NAME	FUNCTION
7:6	-	Reserved
5:0	DOUBLE_TAP_TIMING	DOUBLE_TAP_TIMING measures the time interval between the two taps when double tap is detected. It counts every 16 accelerometer samples as one unit between the 2 tap pulses. Therefore, the value is related to the accelerometer ODR.  $\text{Time in seconds} = \text{DOUBLE\_TAP\_TIMING} * 16 / \text{ODR}$  For example, if the accelerometer ODR is 500 Hz, and the DOUBLE_TAP_TIMING register reading is 6, the time interval value is $6 * 16 / 500 = 0.192$ seconds.

### 14.25 INT\_STATUS2

Name: INT_STATUS2 Address: 55 (37h) Serial IF: R/C Reset value: 0x00 Clock Domain: SCLK_UI		
BIT	NAME	FUNCTION
7:4	-	Reserved
3	SMD_INT	Significant Motion Detection Interrupt, clears on read
2	WOM_Z_INT	Wake on Motion Interrupt on Z-axis, clears on read
1	WOM_Y_INT	Wake on Motion Interrupt on Y-axis, clears on read
0	WOM_X_INT	Wake on Motion Interrupt on X-axis, clears on read

### 14.26 INT\_STATUS3

Name: INT_STATUS3		
Address: 56 (38h)		
Serial IF: R/C		
Reset value: 0x00		
Clock Domain: SCLK_UI		
BIT	NAME	FUNCTION
7:6	-	Reserved
5	STEP_DET_INT	Step Detection Interrupt, clears on read
4	STEP_CNT_OVF_INT	Step Count Overflow Interrupt, clears on read
3	TILT_DET_INT	Tilt Detection Interrupt, clears on read
2	-	Reserved
1	FF_DET_INT	Freefall Interrupt, clears on read
0	TAP_DET_INT	Tap Detection Interrupt, clears on read

### 14.27 SIGNAL\_PATH\_RESET

Name: SIGNAL_PATH_RESET		
Address: 75 (4Bh)		
Serial IF: W/C		
Reset value: 0x00		
Clock Domain: SCLK_UI		
BIT	NAME	FUNCTION
7	-	Reserved
6	DMP_INIT_EN	When this bit is set to 1, the DMP is enabled
5	DMP_MEM_RESET_EN	When this bit is set to 1, the DMP memory is reset
4	-	Reserved
3	ABORT_AND_RESET	When this bit is set to 1, the signal path is reset by restarting the ODR counter and signal path controls
2	TMST_STROBE	When this bit is set to 1, the time stamp counter is latched into the time stamp register. This is a write on clear bit
1	FIFO_FLUSH	When set to 1, FIFO will get flushed
0	-	Reserved

### 14.28

14.29 INTF\_CONFIG0

Name: INTF_CONFIG0 Address: 76 (4Ch) Serial IF: R/W Reset value: 0x30 Clock Domain: SCLK_UI		
BIT	NAME	FUNCTION
7	FIFO_HOLD_LAST_DATA_EN	<p><b>Setting 0 corresponds to the following:</b></p> <p>Sense Registers from Power on Reset till first sample:</p> <ul style="list-style-type: none"> <li>Invalid Samples Value: -32768</li> </ul> <p>Sense Registers after first sample received:</p> <ul style="list-style-type: none"> <li>Sense Registers Valid Sample Values:             <ul style="list-style-type: none"> <li>Range limited from -32766 to +32767 when FSYNC tag is disabled, or for sensor not selected for FSYNC tag</li> <li>Range limited from -32765 to +32767 (odd values) for sensor selected for FSYNC tag, and FSYNC is tagged</li> <li>Range limited from -32766 to +32766 (even values) for sensor selected for FSYNC tag, but FSYNC is not tagged</li> </ul> </li> <li>Sense Registers Invalid Sample Values:             <ul style="list-style-type: none"> <li>-32768 when FSYNC tag is disabled, or for sensor not selected for FSYNC tag, or for sensor selected for FSYNC tag but FSYNC is not tagged</li> <li>-32767 for sensor selected for FSYNC tag, and FSYNC is tagged</li> </ul> </li> </ul> <p>FIFO:</p> <ul style="list-style-type: none"> <li>Invalid Sample Value: -32768</li> <li>Valid Sample Values: -32766 to +32767</li> </ul> <p><b>Setting 1 corresponds to the following:</b></p> <p>Sense Registers from Power on Reset till first sample:</p> <ul style="list-style-type: none"> <li>Invalid Samples Value: 0</li> </ul> <p>Sense Registers after first sample received:</p> <ul style="list-style-type: none"> <li>Sense Registers Valid Sample Values:             <ul style="list-style-type: none"> <li>Range limited from -32768 to +32767 when FSYNC tag is disabled, or for sensor not selected for FSYNC tag</li> <li>Range limited from -32767 to +32767 (odd values) for sensor selected for FSYNC tag, and FSYNC is tagged</li> <li>Range limited from -32768 to +32766 (even values) for sensor selected for FSYNC tag, but FSYNC is not tagged</li> </ul> </li> <li>Sense Registers Invalid Sample Values:             <ul style="list-style-type: none"> <li>Registers hold last valid sample until new one arrives</li> </ul> </li> </ul> <p>FIFO:</p> <ul style="list-style-type: none"> <li>Invalid Sample Value: Copy last valid sample</li> <li>Valid Sample Values: -32768 to +32767</li> </ul>
6	FIFO_COUNT_REC	0: FIFO count is reported in bytes 1: FIFO count is reported in records (1 record = 16 bytes for header + accel + temp sensor data + time stamp, or 8 bytes for header + accel + temp sensor data)
5	FIFO_COUNT_ENDIAN	0: FIFO count is reported in Little Endian format

		1: FIFO count is reported in Big Endian format (default)
4	SENSOR_DATA_ENDIAN	0: Sensor data is reported in Little Endian format 1: Sensor data is reported in Big Endian format (default)
3:2	-	Reserved
1:0	UI_SIFS_CFG	0x: Reserved 10: Disable SPI 11: Disable I2C

**Invalid Data Generation:** FIFO/Sense Registers may contain invalid data under the following conditions:

- From power on reset to first ODR sample of any sensor (accel, temp sensor)
- When any sensor is disabled (accel, temp sensor)
- When accel is enabled with different ODRs. In this case, the sensor with lower ODR will generate invalid samples when it has no new data.

Invalid data can take special values or can hold last valid sample received. For -32768 to be used as a flag for invalid accel samples, the valid accel sample range is limited in such case as well. Bit 7 of INTF\_CONFIG0 controls what values invalid (and valid) samples can take as shown above.

### 14.30 INTF\_CONFIG1

Name: INTF_CONFIG1 Address: 77 (4Dh) Serial IF: R/W Reset value: 0x90 Clock Domain: SCLK_UI		
BIT	NAME	FUNCTION
7:4	-	Reserved
3	ACCEL_LP_CLK_SEL	0: Accelerometer LP mode uses Wake Up oscillator clock 1: Accelerometer LP mode uses RC oscillator clock
2	RTC_MODE	0: No input RTC clock is required 1: RTC clock input is required
1:0	CLKSEL	00: Always select internal RC oscillator 01: Reserved 10: Reserved 11: Disable all clocks

### 14.31 PWR\_MGMT0

Name: PWR_MGMT0 Address: 78 (4Eh) Serial IF: R/W Reset value: 0x00 Clock Domain: SCLK_UI		
BIT	NAME	FUNCTION
7:6	-	Reserved
5	TEMP_DIS	0: Temperature sensor is enabled (default) 1: Temperature sensor is disabled
4	IDLE	If this bit is set to 1, the RC oscillator is powered on even if Accel is powered off. Nominally this bit is set to 0, so when Accel is powered off, the chip will go to OFF state, since the RC oscillator will also be powered off
3:2	Reserved	00: default
1:0	ACCEL_MODE	00: Turns accelerometer off (default) 01: Turns accelerometer off 10: Places accelerometer in Low Power (LP) Mode 11: Places accelerometer in Low Noise (LN) Mode  When transitioning from OFF to any of the other modes, do not issue any register writes for 200µs.

### 14.32 ACCEL\_CONFIG0

Name: ACCEL_CONFIG0 Address: 80 (50h) Serial IF: R/W Reset value: 0x03 Clock Domain: SCLK_UI		
BIT	NAME	FUNCTION
7:5	ACCEL_FS_SEL	Full scale select for accelerometer UI interface output 000: ±16g (default) 001: ±8g 010: ±4g 011: ±2g 100: Reserved 101: Reserved 110: Reserved 111: Reserved
4	Reserved	Reserved
3:0	ACCEL_ODR	Accelerometer ODR selection for UI interface output 0000: Reserved 0001: 32kHz 0010: 16kHz 0011: 8kHz (LN mode) 0100: 4kHz (LN mode) 0101: 2kHz (LN mode) 0110: 1kHz (LN mode) (default) 0111: 200Hz (LP or LN mode) 1000: 100Hz (LP or LN mode) 1001: 50Hz (LP or LN mode) 1010: 25Hz (LP or LN mode) 1011: 12.5Hz (LP or LN mode) 1100: 6.25Hz (LP mode) 1101: 3.125Hz (LP mode) 1110: 1.5625Hz (LP mode) 1111: 500Hz (LP or LN mode)

Refer to Note 6 under Table 1 for ACCEL\_ODR recommended settings to achieve high 3dB value for accelerometer signal bandwidth.

### 14.33 TEMP\_FILTER\_CONFIG

Name: TEMP_FILTER_CONFIG Address: 81 (51h) Serial IF: R/W Reset value: 0x16 Clock Domain: SCLK_UI		
BIT	NAME	FUNCTION
7:5	TEMP_FILTER_BW	Sets the bandwidth of the temperature signal DLPF 000: DLPF BW = 4000Hz; DLPF Latency = 0.125ms (default) 001: DLPF BW = 170Hz; DLPF Latency = 1ms 010: DLPF BW = 82Hz; DLPF Latency = 2ms 011: DLPF BW = 40Hz; DLPF Latency = 4ms 100: DLPF BW = 20Hz; DLPF Latency = 8ms 101: DLPF BW = 10Hz; DLPF Latency = 16ms 110: DLPF BW = 5Hz; DLPF Latency = 32ms 111: DLPF BW = 5Hz; DLPF Latency = 32ms
4	-	Reserved
3:2	-	Reserved
1:0	-	Reserved

### 14.34 ACCEL\_FILT\_CONFIG

Name: ACCEL_FILT_CONFIG		
Address: 82 (52h)		
Serial IF: R/W		
Reset value: 0x11		
Clock Domain: SCLK_UI		
BIT	NAME	FUNCTION
7:4	ACCEL_UI_FILT_BW	<b>LN Mode:</b> Bandwidth for Accel LPF 0 BW=ODR/2 1 BW=max(400Hz, ODR)/4 (default) 2 BW=max(400Hz, ODR)/5 3 BW=max(400Hz, ODR)/8 4 BW=max(400Hz, ODR)/10 5 BW=max(400Hz, ODR)/16 6 BW=max(400Hz, ODR)/20 7 BW=max(400Hz, ODR)/40 8 to 13: Reserved 14 Low Latency option: Trivial decimation @ ODR of Dec2 filter output. Dec2 runs at max(400Hz, ODR) 15 Low Latency option: Trivial decimation @ ODR of Dec2 filter output. Dec2 runs at max(200Hz, 8*ODR)  <b>LP Mode:</b> 0 Reserved 1 1x AVG filter (default) 2 to 5 Reserved 6 16x AVG filter 7 to 15 Reserved
3:0	-	Reserved

### 14.35 ACCEL\_CONFIG1

Name: ACCEL_CONFIG1		
Address: 83 (53h)		
Serial IF: R/W		
Reset value: 0x0D		
Clock Domain: SCLK_UI		
BIT	NAME	FUNCTION
7:5	-	Reserved
4:3	ACCEL_UI_FILT_ORD	Selects order of ACCEL UI filter 00: 1 <sup>st</sup> Order 01: 2 <sup>nd</sup> Order 10: 3 <sup>rd</sup> Order 11: Reserved
2:1	ACCEL_DEC2_M2_ORD	Order of Accelerometer DEC2_M2 filter 00: Reserved 01: Reserved 10: 3 <sup>rd</sup> order 11: Reserved
0	-	Reserved



### 14.36 TMST\_CONFIG

Name: TMST_CONFIG Address: 84 (54h) Serial IF: R/W Reset value: 0x23 Clock Domain: SCLK_UI		
BIT	NAME	FUNCTION
7:5	-	Reserved
4	TMST_TO_REGS_EN	0: TMST_VALUE[19:0] read always returns 0s 1: TMST_VALUE[19:0] read returns timestamp value
3	TMST_RES	Time Stamp resolution: When set to 0 (default), time stamp resolution is 1 $\mu$ s. When set to 1, resolution is 16 $\mu$ s
2	TMST_DELTA_EN	Time Stamp delta enable: When set to 1, the time stamp field contains the measurement of time since the last occurrence of ODR.
1	TMST_FSYNC_EN	Time Stamp register FSYNC enable (default). When set to 1, the contents of the Timestamp feature of FSYNC is enabled. The user also needs to select FIFO_TMST_FSYNC_EN in order to propagate the timestamp value to the FIFO.
0	TMST_EN	0: Time Stamp register disable 1: Time Stamp register enable (default)

### 14.37 APEX\_CONFIG0

Name: APEX_CONFIG0 Address: 86 (56h) Serial IF: R/W Reset value: 0x82 Clock Domain: SCLK_UI		
BIT	NAME	FUNCTION
7	DMP_POWER_SAVE	0: DMP power save mode not active 1: DMP power save mode active (default)
6	TAP_ENABLE	0: Tap Detection not enabled 1: Tap Detection enabled when accelerometer ODR is set to one of the ODR values supported by Tap Detection (200 Hz, 500 Hz, 1 kHz)
5	PED_ENABLE	0: Pedometer not enabled 1: Pedometer enabled
4	TILT_ENABLE	0: Tilt Detection not enabled 1: Tilt Detection enabled
3	-	Reserved
2	FF_ENABLE	0: Freefall Detection not enabled 1: Freefall Detection enabled
1:0	DMP_ODR	00: 25Hz 01: 500Hz 10: 50Hz 11: 100Hz

### 14.38 SMD\_CONFIG

Name: SMD_CONFIG Address: 87 (57h) Serial IF: R/W Reset value: 0x00 Clock Domain: SCLK_UI		
BIT	NAME	FUNCTION
7:4	-	Reserved
3	WOM_INT_MODE	0: Set WoM interrupt on the OR of all enabled accelerometer thresholds 1: Set WoM interrupt on the AND of all enabled accelerometer threshold
2	WOM_MODE	0: Initial sample is stored. Future samples are compared to initial sample 1: Compare current sample to previous sample
1:0	SMD_MODE	00: SMD disabled 01: WOM mode 10: SMD short (1 sec wait) An SMD event is detected when two WOM are detected 1 sec apart 11: SMD long (3 sec wait) An SMD event is detected when two WOM are detected 3 sec apart

### 14.39 FIFO\_CONFIG1

Name: FIFO_CONFIG1 Address: 95 (5Fh) Serial IF: R/W Reset value: 0x00 Clock Domain: SCLK_UI		
BIT	NAME	FUNCTION
7	-	Reserved
6	FIFO_RESUME_PARTIAL_RD	0: Partial FIFO read disabled, requires re-reading of the entire FIFO 1: FIFO read can be partial, and resume from last read point
5	FIFO_WM_GT_TH	Trigger FIFO watermark interrupt on every ODR (DMA write) if FIFO_COUNT ≥ FIFO_WM_TH
4	FIFO_HIRES_EN	0: Default setting; Sensor data have regular resolution 1: Sensor data in FIFO will have extended resolution enabling the 20 Bytes packet
3	FIFO_TMST_FSYNC_EN	Must be set to 1 for all FIFO use cases when FSYNC is used
2	FIFO_TEMP_EN	Enable temperature sensor packets to go to FIFO
1:0	FIFO_PACKET_EN	00: Disable packet goes to FIFO 01: Enable Packet 1 goes to FIFO 10: Reserved 11: Enable Packet 2 goes to FIFO when FIFO_HIRES_EN=0 Enable Packet 3 goes to FIFO when FIFO_HIRES_EN=1

### 14.40 FIFO\_CONFIG2

Name: FIFO_CONFIG2 Address: 96 (60h) Serial IF: R/W Reset value: 0x00 Clock Domain: SCLK_UI		
BIT	NAME	FUNCTION
7:0	FIFO_WM[7:0]	Lower bits of FIFO watermark. Generate interrupt when the FIFO reaches or exceeds FIFO_WM size in bytes or records according to FIFO_COUNT_REC setting. FIFO_WM_EN must be zero before writing this register. Interrupt only fires once. This register should be set to non-zero value, before choosing this interrupt source.

### 14.41 FIFO\_CONFIG3

Name: FIFO_CONFIG3 Address: 97 (61h) Serial IF: R/W Reset value: 0x00 Clock Domain: SCLK_UI		
BIT	NAME	FUNCTION
7:4	-	Reserved
3:0	FIFO_WM[11:8]	Upper bits of FIFO watermark. Generate interrupt when the FIFO reaches or exceeds FIFO_WM size in bytes or records according to FIFO_COUNT_REC setting. FIFO_WM_EN must be zero before writing this register. Interrupt only fires once. This register should be set to non-zero value, before choosing this interrupt source.

**Note:** Do not set FIFO\_WM to value 0.

### 14.42 FSYNC\_CONFIG

Name: FSYNC_CONFIG Address: 98 (62h) Serial IF: R/W Reset value: 0x10 Clock Domain: SCLK_UI		
BIT	NAME	FUNCTION
7	-	Reserved
6:4	FSYNC_UI_SEL	000: Do not tag FSYNC flag 001: Tag FSYNC flag to TEMP_OUT LSB 101: Tag FSYNC flag to ACCEL_XOUT LSB 110: Tag FSYNC flag to ACCEL_YOUT LSB 111: Tag FSYNC flag to ACCEL_ZOUT LSB
3:2	-	Reserved
1	FSYNC_UI_FLAG_CLEAR_SEL	0: FSYNC flag is cleared when UI sensor register is updated 1: FSYNC flag is cleared when UI interface reads the sensor register LSB of FSYNC tagged axis
0	FSYNC_POLARITY	0: Start from Rising edge of FSYNC pulse to measure FSYNC interval 1: Start from Falling edge of FSYNC pulse to measure FSYNC interval

### 14.43 INT\_CONFIG0

Name: INT_CONFIG0 Address: 99 (63h) Serial IF: R/W Reset value: 0x00 Clock Domain: SCLK_UI		
BIT	NAME	FUNCTION
7:6	-	Reserved
5:4	UI_DRDY_INT_CLEAR	Data Ready Interrupt Clear Option (latched mode) 00: Clear on Status Bit Read (default) 01: Clear on Status Bit Read 10: Clear on Sensor Register Read 11: Clear on Status Bit Read AND on Sensor Register read
3:2	FIFO_THS_INT_CLEAR	FIFO Threshold Interrupt Clear Option (latched mode) 00: Clear on Status Bit Read (default) 01: Clear on Status Bit Read 10: Clear on FIFO data 1Byte Read 11: Clear on Status Bit Read AND on FIFO data 1 byte read
1:0	FIFO_FULL_INT_CLEAR	FIFO Full Interrupt Clear Option (latched mode) 00: Clear on Status Bit Read (default) 01: Clear on Status Bit Read 10: Clear on FIFO data 1Byte Read 11: Clear on Status Bit Read AND on FIFO data 1 byte read

### 14.44 INT\_CONFIG1

Name: INT_CONFIG1 Address: 100 (64h) Serial IF: R/W Reset value: 0x10 Clock Domain: SCLK_UI		
BIT	NAME	FUNCTION
7	-	Reserved
6	INT_TPULSE_DURATION	Interrupt pulse duration 0: Interrupt pulse duration is 100 $\mu$ s. Use only if ODR < 4kHz. (Default) 1: Interrupt pulse duration is 8 $\mu$ s. Required if ODR $\geq$ 4kHz, optional for ODR < 4kHz.
5	INT_TDEASSERT_DISABLE	Interrupt de-assertion duration 0: The interrupt de-assertion duration is set to a minimum of 100 $\mu$ s. Use only if ODR < 4kHz. (Default) 1: Disables de-assert duration. Required if ODR $\geq$ 4kHz, optional for ODR < 4kHz.
4	INT_ASYNC_RESET	User should change setting to 0 from default setting of 1, for proper INT1 and INT2 pin operation
3:0	-	Reserved

### 14.45 INT\_SOURCE0

Name: INT_SOURCE0		
Address: 101 (65h)		
Serial IF: R/W		
Reset value: 0x10		
Clock Domain: SCLK_UI		
BIT	NAME	FUNCTION
7	-	Reserved
6	UI_FSYNC_INT1_EN	0: UI FSYNC interrupt not routed to INT1 1: UI FSYNC interrupt routed to INT1
5	-	Reserved
4	RESET_DONE_INT1_EN	0: Reset done interrupt not routed to INT1 1: Reset done interrupt routed to INT1
3	UI_DRDY_INT1_EN	0: UI data ready interrupt not routed to INT1 1: UI data ready interrupt routed to INT1
2	FIFO_THS_INT1_EN	0: FIFO threshold interrupt not routed to INT1 1: FIFO threshold interrupt routed to INT1
1	FIFO_FULL_INT1_EN	0: FIFO full interrupt not routed to INT1 1: FIFO full interrupt routed to INT1
0	UI_AGC_RDY_INT1_EN	0: UI AGC ready interrupt not routed to INT1 1: UI AGC ready interrupt routed to INT1

### 14.46 INT\_SOURCE1

Name: INT_SOURCE1		
Address: 102 (66h)		
Serial IF: R/W		
Reset value: 0x00		
Clock Domain: SCLK_UI		
BIT	NAME	FUNCTION
7	-	Reserved
6	I3C_PROTOCOL_ERROR_INT1_EN	0: I3C <sup>SM</sup> protocol error interrupt not routed to INT1 1: I3C <sup>SM</sup> protocol error interrupt routed to INT1
5:4	-	Reserved
3	SMD_INT1_EN	0: SMD interrupt not routed to INT1 1: SMD interrupt routed to INT1
2	WOM_Z_INT1_EN	0: Z-axis WOM interrupt not routed to INT1 1: Z-axis WOM interrupt routed to INT1
1	WOM_Y_INT1_EN	0: Y-axis WOM interrupt not routed to INT1 1: Y-axis WOM interrupt routed to INT1
0	WOM_X_INT1_EN	0: X-axis WOM interrupt not routed to INT1 1: X-axis WOM interrupt routed to INT1

### 14.47 INT\_SOURCE3

Name: INT_SOURCE3		
Address: 104 (68h)		
Serial IF: R/W		
Reset value: 0x00		
Clock Domain: SCLK_UI		
BIT	NAME	FUNCTION
7	-	Reserved
6	UI_FSYNC_INT2_EN	0: UI FSYNC interrupt not routed to INT2 1: UI FSYNC interrupt routed to INT2
5	-	Reserved
4	RESET_DONE_INT2_EN	0: Reset done interrupt not routed to INT2 1: Reset done interrupt routed to INT2
3	UI_DRDY_INT2_EN	0: UI data ready interrupt not routed to INT2 1: UI data ready interrupt routed to INT2
2	FIFO_THS_INT2_EN	0: FIFO threshold interrupt not routed to INT2 1: FIFO threshold interrupt routed to INT2
1	FIFO_FULL_INT2_EN	0: FIFO full interrupt not routed to INT2 1: FIFO full interrupt routed to INT2
0	UI_AGC_RDY_INT2_EN	0: UI AGC ready interrupt not routed to INT2 1: UI AGC ready interrupt routed to INT2

### 14.48 INT\_SOURCE4

Name: INT_SOURCE4		
Address: 105 (69h)		
Serial IF: R/W		
Reset value: 0x00		
Clock Domain: SCLK_UI		
BIT	NAME	FUNCTION
7	-	Reserved
6	I3C_PROTOCOL_ERROR_INT2_EN	0: I3C <sup>SM</sup> protocol error interrupt not routed to INT2 1: I3C <sup>SM</sup> protocol error interrupt routed to INT2
5:4	-	Reserved
3	SMD_INT2_EN	0: SMD interrupt not routed to INT2 1: SMD interrupt routed to INT2
2	WOM_Z_INT2_EN	0: Z-axis WOM interrupt not routed to INT2 1: Z-axis WOM interrupt routed to INT2
1	WOM_Y_INT2_EN	0: Y-axis WOM interrupt not routed to INT2 1: Y-axis WOM interrupt routed to INT2
0	WOM_X_INT2_EN	0: X-axis WOM interrupt not routed to INT2 1: X-axis WOM interrupt routed to INT2

### 14.49 FIFO\_LOST\_PKT0

Name: FIFO_LOST_PKT0		
Address: 108 (6Ch)		
Serial IF: R		
Reset value: 0x00		
Clock Domain: SCLK_UI		
BIT	NAME	FUNCTION
7:0	FIFO_LOST_PKT_CNT[7:0]	Low byte, number of packets lost in the FIFO

### 14.50 FIFO\_LOST\_PKT1

Name: FIFO_LOST_PKT1		
Address: 109 (6Dh)		
Serial IF: R		
Reset value: 0x00		
Clock Domain: SCLK_UI		
BIT	NAME	FUNCTION
7:0	FIFO_LOST_PKT_CNT[15:8]	High byte, number of packets lost in the FIFO

### 14.51 SELF\_TEST\_CONFIG

Name: SELF_TEST_CONFIG		
Address: 112 (70h)		
Serial IF: R/W		
Reset value: 0x00		
Clock Domain: SCLK_UI		
BIT	NAME	FUNCTION
7	-	Reserved
6	ACCEL_ST_POWER	Set to 1 for accel self-test Otherwise set to 0; Set to 0 after self-test is completed
5	EN_AZ_ST	Enable Z-accel self-test
4	EN_AY_ST	Enable Y-accel self-test
3	EN_AX_ST	Enable X-accel self-test
2	Reserved	0
1	Reserved	0
0	Reserved	0

### 14.52 WHO\_AM\_I

Name: WHO_AM_I		
Address: 117 (75h)		
Serial IF: R		
Reset value: 0x6D		
Clock Domain: SCLK_UI		
BIT	NAME	FUNCTION
7:0	WHOAMI	Register to indicate to user which device is being accessed

This register is used to verify the identity of the device. The contents of WHOAMI is an 8-bit device ID. The default value of the register is 0x6D. This is different from the I<sup>2</sup>C address of the device as seen on the slave I<sup>2</sup>C controller by the applications processor.

### 14.53 REG\_BANK\_SEL

**Note:** This register is accessible from all register banks

Name: REG_BANK_SEL Address: 118 (76h) Serial IF: R/W Reset value: 0x00 Clock Domain: ALL		
BIT	NAME	FUNCTION
7:3	-	Reserved
2:0	BANK_SEL	Register bank selection 000: Bank 0 (default) 001: Bank 1 010: Bank 2 011: Bank 3 100: Bank 4 101: Reserved 110: Reserved 111: Reserved



## 15 USER BANK 1 REGISTER MAP – DESCRIPTIONS

This section describes the function and contents of each register within USR Bank 1.

### 15.1 SENSOR\_CONFIG0

Name: SENSOR_CONFIG0 Address: 03 (03h) Serial IF: R/W Reset value: 0xB8 Clock Domain: SCLK_UI		
BIT	NAME	FUNCTION
7:3	-	Reserved
2	ZA_DISABLE	0: Z accelerometer is on 1: Z accelerometer is disabled
1	YA_DISABLE	0: Y accelerometer is on 1: Y accelerometer is disabled
0	XA_DISABLE	0: X accelerometer is on 1: X accelerometer is disabled

### 15.2 TMSTVAL0

Name: TMSTVAL0 Address: 98 (62h) Serial IF: R Reset value: 0x00 Clock Domain: SCLK_UI		
BIT	NAME	FUNCTION
7:0	TMST_VALUE[7:0]	When TMST_STROBE is programmed, the current value of the internal counter is latched to this register. Allows the full 20-bit precision of the time stamp to be read back.

### 15.3 TMSTVAL1

Name: TMSTVAL1 Address: 99 (63h) Serial IF: R Reset value: 0x00 Clock Domain: SCLK_UI		
BIT	NAME	FUNCTION
7:0	TMST_VALUE[15:8]	When TMST_STROBE is programmed, the current value of the internal counter is latched to this register. Allows the full 20-bit precision of the time stamp to be read back.

### 15.4 TMSTVAL2

Name: TMSTVAL2 Address: 100 (64h) Serial IF: R Reset value: 0x00 Clock Domain: SCLK_UI		
BIT	NAME	FUNCTION
7:4	-	Reserved
3:0	TMST_VALUE[19:16]	When TMST_STROBE is programmed, the current value of the internal counter is latched to this register. Allows the full 20-bit precision of the time stamp to be read back.

### 15.5 INTF\_CONFIG4

Name: INTF_CONFIG4		
Address: 122 (7Ah)		
Serial IF: R/W		
Reset value: 0x03		
Clock Domain: SCLK_UI		
BIT	NAME	FUNCTION
7	-	Reserved
6	I3C_BUS_MODE	0: Device is on a bus with I <sup>2</sup> C and I3C <sup>SM</sup> devices 1: Device is on a bus with I3C <sup>SM</sup> devices only
5:2	-	Reserved
1	SPI_AP_4WIRE	0: AP interface uses 3-wire SPI mode 1: AP interface uses 4-wire SPI mode (default)
0	-	Reserved

### 15.6 INTF\_CONFIG5

Name: INTF_CONFIG5		
Address: 123 (7Bh)		
Serial IF: R/W		
Reset value: 0x20		
Clock Domain: SCLK_UI		
BIT	NAME	FUNCTION
7:3	-	Reserved
2:1	PIN9_FUNCTION	Selects among the following functionalities for pin 9 00: INT2 01: FSYNC 10: CLKIN 11: Reserved
0	-	Reserved

### 15.7 INTF\_CONFIG6

Name: INTF_CONFIG6		
Address: 124 (7Ch)		
Serial IF: R/W		
Reset value: 0x5F		
Clock Domain: SCLK_UI		
BIT	NAME	FUNCTION
7:5	-	Reserved
4	I3C_EN	0: I3C <sup>SM</sup> slave not enabled 1: I3C <sup>SM</sup> slave enabled
3	I3C_IBI_BYTE_EN	0: I3C <sup>SM</sup> IBI payload function not enabled 1: I3C <sup>SM</sup> IBI payload function enabled
2	I3C_IBI_EN	0: I3C <sup>SM</sup> IBI function not enabled 1: I3C <sup>SM</sup> IBI function enabled
1	I3C_DDR_EN	0: I3C <sup>SM</sup> DDR mode not enabled 1: I3C <sup>SM</sup> DDR mode enabled
0	I3C_SDR_EN	0: I3C <sup>SM</sup> SDR mode not enabled 1: I3C <sup>SM</sup> SDR mode enabled

## 16 USER BANK 2 REGISTER MAP – DESCRIPTIONS

This section describes the function and contents of each register within USR Bank 2.

### 16.1 ACCEL\_CONFIG\_STATIC2

Name: ACCEL_CONFIG_STATIC2		
Address: 03 (03h)		
Serial IF: R/W		
Reset value: 0x7E		
Clock Domain: SCLK_UI		
BIT	NAME	FUNCTION
7	-	Reserved
6:1	ACCEL_AAF_DELT	Controls bandwidth of the accelerometer anti-alias filter See section 5.2 for details
0	ACCEL_AAF_DIS	0: Enable accelerometer anti-aliasing filter 1: Disable accelerometer anti-aliasing filter

Refer to Note 6 under Table 1 for ACCEL\_AAF\_DIS and ACCEL\_AAF\_DELT recommended settings to achieve high 3dB value for accelerometer signal bandwidth.

### 16.2 ACCEL\_CONFIG\_STATIC3

Name: ACCEL_CONFIG_STATIC3		
Address: 04 (04h)		
Serial IF: R/W		
Reset value: 0x80		
Clock Domain: SCLK_UI		
BIT	NAME	FUNCTION
7:0	ACCEL_AAF_DELTSQR[7:0]	Controls bandwidth of the accelerometer anti-alias filter See section 5.2 for details

Refer to Note 6 under Table 1 for ACCEL\_AAF\_DELTSQR recommended setting to achieve high 3dB value for accelerometer signal bandwidth.

### 16.3 ACCEL\_CONFIG\_STATIC4

Name: ACCEL_CONFIG_STATIC4		
Address: 05 (05h)		
Serial IF: R/W		
Reset value: 0x3F		
Clock Domain: SCLK_UI		
BIT	NAME	FUNCTION
7:4	ACCEL_AAF_BITSHIFT	Controls bandwidth of the accelerometer anti-alias filter See section 5.2 for details
3:0	ACCEL_AAF_DELTSQR[11:8]	Controls bandwidth of the accelerometer anti-alias filter See section 5.2 for details

Refer to Note 6 under Table 1 for ACCEL\_AAF\_BITSHIFT and ACCEL\_AAF\_DELTSQR recommended setting to achieve high 3dB value for accelerometer signal bandwidth.

### 16.4 XA\_ST\_DATA

Name: XA_ST_DATA		
Address: 59 (3Bh)		
Serial IF: R/W		
Reset value: 0xXX (The value in this register indicates the self-test output generated during manufacturing tests)		
Clock Domain: SCLK_UI		
BIT	NAME	FUNCTION
7:0	XA_ST_DATA	X-accel self-test data

### 16.5 YA\_ST\_DATA

Name: YA\_ST\_DATA  
 Address: 60 (3Ch)  
 Serial IF: R/W  
 Reset value: 0xXX (The value in this register indicates the self-test output generated during manufacturing tests)  
 Clock Domain: SCLK\_UI

BIT	NAME	FUNCTION
7:0	YA_ST_DATA	Y-accel self-test data

### 16.6 ZA\_ST\_DATA

Name: ZA\_ST\_DATA  
 Address: 61 (3Dh)  
 Serial IF: R/W  
 Reset value: 0xXX (The value in this register indicates the self-test output generated during manufacturing tests)  
 Clock Domain: SCLK\_UI

BIT	NAME	FUNCTION
7:0	ZA_ST_DATA	Z-accel self-test data

## 17 USER BANK 3 REGISTER MAP – DESCRIPTIONS

This section describes the function and contents of each register within USR Bank 3.

### 17.1 PU\_PD\_CONFIG1

Name: PU_PD_CONFIG1 Address: 06 (06h) Serial IF: R/W Reset value: 0x88 Clock Domain: SCLK_UI		
BIT	NAME	FUNCTION
7	PIN11_PU_EN	Pull-up control for pin 11 0: Pull-up is disabled 1: Pull-up is enabled
6	PIN7_PU_EN	Pull-up control for pin 7 if triple interface mode is used. Must be set to 0 if single/dual interface mode is used. 0: Pull-up is disabled 1: Pull-up is enabled
5	-	Reserved
4	PIN9_PD_EN	Pull-down control for pin 9 in single/dual interface mode. Must be set to 0 if triple interface mode is used. 0: Pull-down is disabled 1: Pull-down is enabled
3	PIN10_PU_EN	Pull-up control for pin 10 0: Pull-up is disabled 1: Pull-up is enabled
2	PIN3_PU_EN	Pull-up control for pin 3 0: Pull-up is disabled 1: Pull-up is enabled
1	PIN2_PU_EN	Pull-up control for pin 2 0: Pull-up is disabled 1: Pull-up is enabled
0	PIN4_PD_EN	Pull-down control for pin 4 0: Pull-down is disabled 1: Pull-down is enabled

**17.2 PU\_PD\_CONFIG2**

Name: PU_PD_CONFIG2 Address: 14 (0Eh) Serial IF: R/W Reset value: 0x20 Clock Domain: SCLK_UI		
BIT	NAME	FUNCTION
7	PIN1_PU_EN	Pull-up control for pin 1. See bit 6 description for pull-down control for pin 1. Note that both pull-up and pull-down must not be simultaneously enabled for the same pin. 0: Pull-up is disabled 1: Pull-up is enabled
6	PIN1_PD_EN	Pull-down control for pin 1. See bit 7 description for pull-up control for pin 1. Note that both pull-up and pull-down must not be simultaneously enabled for the same pin. 0: Pull-down is disabled 1: Pull-down is enabled
5	PIN12_PU_EN	Pull-up control for pin 12. See bit 4 description for pull-down control for pin 12. Note that both pull-up and pull-down must not be simultaneously enabled for the same pin. 0: Pull-up is disabled 1: Pull-up is enabled
4	PIN12_PD_EN	Pull-down control for pin 12. See bit 5 description for pull-up control for pin 12. Note that both pull-up and pull-down must not be simultaneously enabled for the same pin. 0: Pull-down is disabled 1: Pull-down is enabled
3	PIN14_PU_EN	Pull-up control for pin 14. See bit 2 description for pull-down control for pin 14. Note that both pull-up and pull-down must not be simultaneously enabled for the same pin. 0: Pull-up is disabled 1: Pull-up is enabled
2	PIN14_PD_EN	Pull-down control for pin 14. See bit 3 description for pull-up control for pin 14. Note that both pull-up and pull-down must not be simultaneously enabled for the same pin. 0: Pull-down is disabled 1: Pull-down is enabled
1	PIN13_PU_EN	Pull-up control for pin 13. See bit 0 description for pull-down control for pin 13. Note that both pull-up and pull-down must not be simultaneously enabled for the same pin. 0: Pull-up is disabled 1: Pull-up is enabled
0	PIN13_PD_EN	Pull-down control for pin 13. See bit 1 description for pull-up control for pin 13. Note that both pull-up and pull-down must not be simultaneously enabled for the same pin. 0: Pull-down is disabled 1: Pull-down is enabled

## 18 USER BANK 4 REGISTER MAP – DESCRIPTIONS

This section describes the function and contents of each register within USR Bank 4.

### 18.1 FDR\_CONFIG

Name: FDR_CONFIG Address: 09 (09h) Serial IF: R/W Reset value: 0x00 Clock Domain: SCLK_UI		
BIT	NAME	FUNCTION
7	-	Reserved
6:0	FDR_SEL	FIFO packet rate decimation factor. Sets the number of discarded FIFO packets. Valid range is 0 to 127. User must disable sensors when initializing FDR_SEL value or making changes to it.  0000000: Decimation is disabled, all packets are sent to FIFO 0000001: 1 packet out of 2 is sent to FIFO 0000010: 1 packet out of 3 is sent to FIFO 0000011: 1 packet out of 4 is sent to FIFO ... 1111111: 1 packet out of 128 is sent to FIFO

### 18.2 APEX\_CONFIG1

Name: APEX_CONFIG1 Address: 64 (40h) Serial IF: R/W Reset value: 0xA2 Clock Domain: SCLK_UI		
BIT	NAME	FUNCTION
7:4	LOW_ENERGY_AMP_TH_SEL	Pedometer Low Energy mode amplitude threshold selection Use default value 1010b
3:0	DMP_POWER_SAVE_TIME_SEL	When the DMP is in power save mode, it is awakened by the WOM and will wait for a certain duration before going back to sleep. This bitfield configures this duration. 0000: 0 seconds 0001: 4 seconds 0010: 8 seconds (default) 0011: 12 seconds 0100: 16 seconds 0101: 20 seconds 0110: 24 seconds 0111: 28 seconds 1000: 32 seconds 1001: 36 seconds 1010: 40 seconds 1011: 44 seconds 1100: 48 seconds 1101: 52 seconds 1110: 56 seconds 1111: 60 seconds

### 18.3 APEX\_CONFIG2

Name: APEX_CONFIG2 Address: 65 (41h) Serial IF: R/W Reset value: 0x85 Clock Domain: SCLK_UI		
BIT	NAME	FUNCTION
7:4	PED_AMP_TH_SEL	Pedometer amplitude threshold selection Use default value 1000b
3:0	PED_STEP_CNT_TH_SEL	Pedometer step count detection window Use default value 0101b 0000: 0 steps 0001: 1 step 0010: 2 steps 0011: 3 steps 0100: 4 steps 0101: 5 steps (default) 0110: 6 steps 0111: 7 steps 1000: 8 steps 1001: 9 steps 1010: 10 steps 1011: 11 steps 1100: 12 steps 1101: 13 steps 1110: 14 steps 1111: 15 steps

### 18.4 APEX\_CONFIG3

Name: APEX_CONFIG3 Address: 66 (42h) Serial IF: R/W Reset value: 0x51 Clock Domain: SCLK_UI		
BIT	NAME	FUNCTION
7:5	PED_STEP_DET_TH_SEL	Pedometer step detection threshold selection Use default value 010b 000: 0 steps 001: 1 step 010: 2 steps (default) 011: 3 steps 100: 4 steps 101: 5 steps 110: 6 steps 111: 7 steps
4:2	PED_SB_TIMER_TH_SEL	Pedometer step buffer timer threshold selection Use default value 100b 000: 0 samples 001: 1 sample 010: 2 samples 011: 3 samples 100: 4 samples (default) 101: 5 samples 110: 6 samples 111: 7 samples
1:0	PED_HI_EN_TH_SEL	Pedometer high energy threshold selection Use default value 01b



**18.5 APEX\_CONFIG4**

Name: APEX_CONFIG4 Address: 67 (43h) Serial IF: R/W Reset value: 0xA4 Clock Domain: SCLK_UI		
BIT	NAME	FUNCTION
7:6	TILT_WAIT_TIME_SEL	Configures duration of delay after tilt is detected before interrupt is triggered 00: 0s 01: 2s 10: 4s (default) 11: 6s
5:3	LOWG_PEAK_TH_HYST_SEL	This threshold is added to the LOWG peak threshold after the initial threshold is met. The threshold values corresponding to parameter values are shown below: 000: 31mgee 001: 63mgee 010: 94mgee 011: 125mgee 100: 156mgee (default) 101: 188mgee 110: 219mgee 111: 250mgee
2:0	HIGHG_PEAK_TH_HYST_SEL	This threshold is added to the HIGHG peak threshold after the initial threshold is met. The threshold values corresponding to parameter values are shown below: 000: 31mgee 001: 63mgee 010: 94mgee 011: 125mgee 100: 156mgee (default) 101: 188mgee 110: 219mgee 111: 250mgee

**18.6 APEX\_CONFIG5**

Name: APEX_CONFIG5 Address: 68 (44h) Serial IF: R/W Reset value: 0x8C Clock Domain: SCLK_UI		
BIT	NAME	FUNCTION
7:3	LOWG_PEAK_TH_SEL	<p>This parameter defines the threshold for accelerometer values below which the algorithm considers it has entered low-g state. The threshold values corresponding to parameter values are shown below:</p> <p>00000: 31mgee            00001: 63mgee            00010: 94mgee            00011: 125mgee            00100: 156mgee            00101: 188mgee            00110: 219mgee            00111: 250mgee            01000: 281mgee            01001: 313mgee            01010: 344mgee            01011: 375mgee            01100: 406mgee            01101: 438mgee            01110: 469mgee            01111: 500mgee            10000: 531mgee            10001: 563mgee (default)            10010: 594mgee            10011: 625mgee            10100: 656mgee            10101: 688mgee            10110: 719mgee            10111: 750mgee            11000: 781mgee            11001: 813mgee            11010: 844mgee            11011: 875mgee            11100: 906mgee            11101: 938mgee            11110: 969mgee            11111: 1000mgee</p>
2:0	LOWG_TIME_TH_SEL	<p>This parameter defines the number of samples for which the device should stay in low-g before triggering interrupt.</p> <p>Number of samples = LOWG_TIME_TH_SEL + 1</p> <p>Default value is 4 (i.e. 5 samples)</p>

**18.7 APEX\_CONFIG6**

Name: APEX_CONFIG6 Address: 69 (45h) Serial IF: R/W Reset value: 0x5C Clock Domain: SCLK_UI		
BIT	NAME	FUNCTION
7:3	HIGHG_PEAK_TH_SEL	<p>This parameter defines the threshold for accelerometer values above which the algorithm considers it has entered high-g state. The threshold values corresponding to parameter values are shown below:</p> <p>00000: 250mgee            00001: 500mgee            00010: 750mgee            00011: 1000mgee            00100: 1250mgee            00101: 1500mgee            00110: 1750mgee            00111: 2000mgee            01000: 2250mgee            01001: 2500mgee            01010: 2750mgee            01011: 3000mgee (default)            01100: 3250mgee            01101: 3500mgee            01110: 3750mgee            01111: 4000mgee            10000: 4250mgee            10001: 4500mgee            10010: 4750mgee            10011: 5000mgee            10100: 5250mgee            10101: 5500mgee            10110: 5750mgee            10111: 6000mgee            11000: 6250mgee            11001: 6500mgee            11010: 6750mgee            11011: 7000mgee            11100: 7250mgee            11101: 7500mgee            11110: 7750mgee            11111: 8000mgee</p>
2:0	HIGHG_TIME_TH_SEL	<p>This parameter defines the number of samples for which the device should stay in high-g before triggering interrupt.</p> <p>Number of samples = HIGHG_TIME_TH_SEL + 1            Default value is 4 (i.e. 5 samples)</p>

### 18.8 APEX\_CONFIG7

Name: APEX_CONFIG7		
Address: 70 (46h)		
Serial IF: R/W		
Reset value: 0x45		
Clock Domain: SCLK_UI		
BIT	NAME	FUNCTION
7:2	TAP_MIN_JERK_THR	Tap Detection minimum jerk threshold Use default value 010001b
1:0	TAP_MAX_PEAK_TOL	Tap Detection maximum peak tolerance Use default value 01b

### 18.9 APEX\_CONFIG8

Name: APEX_CONFIG8		
Address: 71 (47h)		
Serial IF: R/W		
Reset value: 0x5B		
Clock Domain: SCLK_UI		
BIT	NAME	FUNCTION
7	-	Reserved
6:5	TAP_TMAX	Tap measurement window (number of samples) Use default value 10b
4:3	TAP_TAVG	Tap energy measurement window (number of samples) Use default value 11b
2:0	TAP_TMIN	Single tap window (number of samples) Use default value 011b

### 18.10 APEX\_CONFIG9

Name: APEX_CONFIG9		
Address: 72 (48h)		
Serial IF: R/W		
Reset value: 0x00		
Clock Domain: SCLK_UI		
BIT	NAME	FUNCTION
7:1	-	Reserved
0	SENSITIVITY_MODE	0: Low power mode at accelerometer ODR 25Hz; High performance mode at accelerometer ODR ≥ 50Hz 1: Low power and slow walk mode at accelerometer ODR 25Hz; Slow walk mode at accelerometer ODR ≥ 50Hz

### 18.11 APEX\_CONFIG10

Name: APEX_CONFIG10 Address: 73 (49h) Serial IF: R/W Reset value: 0x00 Clock Domain: SCLK_UI		
BIT	NAME	FUNCTION
7:5	FF_MIN_DURATION_CM	This parameter defines the minimum freefall length that the algorithm should report. Freefalls smaller than this value are ignored. Freefall lengths corresponding to parameter values are shown below: 000: 13cm (default) 001: 19cm 010: 28cm 011: 38cm 100: 50cm 101: 64cm 110: 78cm 111: 95cm
4:2	FF_MAX_DURATION_CM	This parameter defines the maximum freefall length that the algorithm should report. Freefalls longer than this value are ignored. Freefall lengths corresponding to parameter values are shown below: 000: 113cm (default) 001: 154cm 010: 201cm 011: 255cm 100: 314cm 101: 380cm 110: 452cm 111: 531cm
1:0	FF_DEBOUNCE_DURATION	This parameter defines the time during which low-g and high-g events are not taken into account after a high-g event. It helps to avoid detecting bounces as free fall. Debounce durations corresponding to parameter values are shown below: 00: 0s (default) 01: 1s 10: 2s 11: 3s

### 18.12 ACCEL\_WOM\_X\_THR

Name: ACCEL_WOM_X_THR Address: 74 (4Ah) Serial IF: R/W Reset value: 0x00 Clock Domain: SCLK_UI		
BIT	NAME	FUNCTION
7:0	WOM_X_TH	Threshold value for the Wake on Motion Interrupt for X-axis accelerometer WoM thresholds are expressed in fixed "mg" independent of the selected Range [0g : 1g]; Resolution 1g/256=~3.9mg

### 18.13 ACCEL\_WOM\_Y\_THR

Name: ACCEL_WOM_Y_THR Address: 75 (4Bh) Serial IF: R/W Reset value: 0x00 Clock Domain: SCLK_UI		
BIT	NAME	FUNCTION
7:0	WOM_Y_TH	Threshold value for the Wake on Motion Interrupt for Y-axis accelerometer WoM thresholds are expressed in fixed “mg” independent of the selected Range [0g : 1g]; Resolution 1g/256≈3.9mg

### 18.14 ACCEL\_WOM\_Z\_THR

Name: ACCEL_WOM_Z_THR Address: 76 (4Ch) Serial IF: R/W Reset value: 0x00 Clock Domain: SCLK_UI		
BIT	NAME	FUNCTION
7:0	WOM_Z_TH	Threshold value for the Wake on Motion Interrupt for Z-axis accelerometer WoM thresholds are expressed in fixed “mg” independent of the selected Range [0g : 1g]; Resolution 1g/256≈3.9mg

### 18.15 INT\_SOURCE6

Name: INT_SOURCE6 Address: 77 (4Dh) Serial IF: R/W Reset value: 0x00 Clock Domain: SCLK_UI		
BIT	NAME	FUNCTION
7:6	-	Reserved
5	STEP_DET_INT1_EN	0: Step detect interrupt not routed to INT1 1: Step detect interrupt routed to INT1
4	STEP_CNT_OFI_INT1_EN	0: Step count overflow interrupt not routed to INT1 1: Step count overflow interrupt routed to INT1
3	TILT_DET_INT1_EN	0: Tilt detect interrupt not routed to INT1 1: Tile detect interrupt routed to INT1
2	-	Reserved
1	FREEFALL_DET_INT1_EN	0: Freefall detect interrupt not routed to INT1 1: Freefall detect interrupt routed to INT1
0	TAP_DET_INT1_EN	0: Tap detect interrupt not routed to INT1 1: Tap detect interrupt routed to INT1

### 18.16 INT\_SOURCE7

Name: INT_SOURCE7		
Address: 78 (4Eh)		
Serial IF: R/W		
Reset value: 0x00		
Clock Domain: SCLK_UI		
BIT	NAME	FUNCTION
7:6	-	Reserved
5	STEP_DET_INT2_EN	0: Step detect interrupt not routed to INT2 1: Step detect interrupt routed to INT2
4	STEP_CNT_OFLL_INT2_EN	0: Step count overflow interrupt not routed to INT2 1: Step count overflow interrupt routed to INT2
3	TILT_DET_INT2_EN	0: Tilt detect interrupt not routed to INT2 1: Tile detect interrupt routed to INT2
2	-	Reserved
1	FREEFALL_DET_INT2_EN	0: Freefall detect interrupt not routed to INT2 1: Freefall detect interrupt routed to INT2
0	TAP_DET_INT2_EN	0: Tap detect interrupt not routed to INT2 1: Tap detect interrupt routed to INT2

### 18.17 INT\_SOURCE8

Name: INT_SOURCE8		
Address: 79 (4Fh)		
Serial IF: R/W		
Reset value: 0x00		
Clock Domain: SCLK_UI		
BIT	NAME	FUNCTION
7:6	-	Reserved
5	FSYNC_IBI_EN	0: FSYNC interrupt not routed to IBI 1: FSYNC interrupt routed to IBI
4	-	Reserved
3	UI_DRDY_IBI_EN	0: UI data ready interrupt not routed to IBI 1: UI data ready interrupt routed to IBI
2	FIFO_THS_IBI_EN	0: FIFO threshold interrupt not routed to IBI 1: FIFO threshold interrupt routed to IBI
1	FIFO_FULL_IBI_EN	0: FIFO full interrupt not routed to IBI 1: FIFO full interrupt routed to IBI
0	AGC_RDY_IBI_EN	0: AGC ready interrupt not routed to IBI 1: AGC ready interrupt routed to IBI

### 18.18 INT\_SOURCE9

Name: INT_SOURCE9		
Address: 80 (50h)		
Serial IF: R/W		
Reset value: 0x00		
Clock Domain: SCLK_UI		
BIT	NAME	FUNCTION
7	I3C_PROTOCOL_ERROR_IBI_EN	0: I3C <sup>SM</sup> protocol error interrupt not routed to IBI 1: I3C <sup>SM</sup> protocol error interrupt routed to IBI
6:5	-	Reserved
4	SMD_IBI_EN	0: SMD interrupt not routed to IBI 1: SMD interrupt routed to IBI
3	WOM_Z_IBI_EN	0: Z-axis WOM interrupt not routed to IBI 1: Z-axis WOM interrupt routed to IBI
2	WOM_Y_IBI_EN	0: Y-axis WOM interrupt not routed to IBI 1: Y-axis WOM interrupt routed to IBI
1	WOM_X_IBI_EN	0: X-axis WOM interrupt not routed to IBI 1: X-axis WOM interrupt routed to IBI
0	-	Reserved

### 18.19 INT\_SOURCE10

Name: INT_SOURCE10		
Address: 81 (51h)		
Serial IF: R/W		
Reset value: 0x00		
Clock Domain: SCLK_UI		
BIT	NAME	FUNCTION
7:6	-	Reserved
5	STEP_DET_IBI_EN	0: Step detect interrupt not routed to IBI 1: Step detect interrupt routed to IBI
4	STEP_CNT_OFLL_IBI_EN	0: Step count overflow interrupt not routed to IBI 1: Step count overflow interrupt routed to IBI
3	TILT_DET_IBI_EN	0: Tilt detect interrupt not routed to IBI 1: Tile detect interrupt routed to IBI
2	-	Reserved
1	FREEFALL_DET_IBI_EN	0: Freefall detect interrupt not routed to IBI 1: Freefall detect interrupt routed to IBI
0	TAP_DET_IBI_EN	0: Tap detect interrupt not routed to IBI 1: Tap detect interrupt routed to IBI

### 18.20 OFFSET\_USER4

Name: OFFSET_USER4		
Address: 123 (7Bh)		
Serial IF: R/W		
Reset value: 0x00		
Clock Domain: SCLK_UI		
BIT	NAME	FUNCTION
7:4	ACCEL_X_OFFUSER[11:8]	Upper bits of X-accel offset programmed by user. Max value is $\pm 1g$ , resolution is 0.5mg.
3:0	Reserved	



### 18.21 OFFSET\_USERS5

Name: OFFSET_USERS5 Address: 124 (7Ch) Serial IF: R/W Reset value: 0x00 Clock Domain: SCLK_UI		
BIT	NAME	FUNCTION
7:0	ACCEL_X_OFFUSER[7:0]	Lower bits of X-accel offset programmed by user. Max value is $\pm 1g$ , resolution is 0.5mg.

### 18.22 OFFSET\_USER6

Name: OFFSET_USER6 Address: 125 (7Dh) Serial IF: R/W Reset value: 0x00 Clock Domain: SCLK_UI		
BIT	NAME	FUNCTION
7:0	ACCEL_Y_OFFUSER[7:0]	Lower bits of Y-accel offset programmed by user. Max value is $\pm 1g$ , resolution is 0.5mg.

### 18.23 OFFSET\_USER7

Name: OFFSET_USER7 Address: 126 (7Eh) Serial IF: R/W Reset value: 0x00 Clock Domain: SCLK_UI		
BIT	NAME	FUNCTION
7:4	ACCEL_Z_OFFUSER[11:8]	Upper bits of Z-accel offset programmed by user. Max value is $\pm 1g$ , resolution is 0.5mg.
3:0	ACCEL_Y_OFFUSER[11:8]	Upper bits of Y-accel offset programmed by user. Max value is $\pm 1g$ , resolution is 0.5mg.

### 18.24 OFFSET\_USERS8

Name: OFFSET_USERS8 Address: 127 (7Fh) Serial IF: R/W Reset value: 0x00 Clock Domain: SCLK_UI		
BIT	NAME	FUNCTION
7:0	ACCEL_Z_OFFUSER[7:0]	Lower bits of Z-accel offset programmed by user. Max value is $\pm 1g$ , resolution is 0.5mg.

## ***19 SMARTINDUSTRIAL FAMILY***

TDK's SmartIndustrial™ portfolio of 6-axis IMU and 3-axis Accelerometer products delivers the precise motion, vibration and inclination measurements that industrial applications need. These products offer the ability to take precise measurements in harsh environments with vibration and wide temperature variations.

TDK's broad portfolio of Industrial Motion Sensing solutions offers customers a range of performance and cost choices, enabling a wide variety of Industrial navigation, stabilization, and monitoring applications.

By combining its innovative MEMS Motion Sensor technologies with its expertise of Industrial applications, TDK offers unique capabilities such as Fault-tolerant motion sensing solution.

## **20 REFERENCE**

Please refer to “InvenSense MEMS Handling Application Note (AN-IVS-0002A-00)” for the following information:

- Manufacturing Recommendations
  - Assembly Guidelines and Recommendations
  - PCB Design Guidelines and Recommendations
  - MEMS Handling Instructions
  - ESD Considerations
  - Reflow Specification
  - Storage Specifications
  - Package Marking Specification
  - Tape & Reel Specification
  - Reel & Pizza Box Label
  - Packaging
  - Representative Shipping Carton Label
- Compliance
  - Environmental Compliance
  - DRC Compliance
  - Compliance Declaration Disclaimer

## 21 REVISION HISTORY

REVISION DATE	REVISION	DESCRIPTION
01/07/2021	1.0	Initial release
10/01/2021	1.1	<p>Updated Section 6.2 for bit field[6:4] for FIFO header re-defined</p> <p>Updated Section 6.4 for FIFO configuration register bit field[1:0] re-defined, packet table updated</p> <p>Updated Section 13.1, 14.38 for FIFO_CONFIG1 bit filed[1:0] redefined as "FIFO_PACKET_EN"</p> <p>Updated Section 14.36 for DMP_ODR[1:0] added 100Hz, 500Hz as list</p> <p>Updated Section 18.9 for default value typo at TAP_TMAX/TAVG</p> <p>Updated Section 18.2, 18.7, 18.11 with (default)</p>
02/14/2022	1.2	<p>Updated section 9.4</p> <p>Added longevity information</p>



<https://invensense.tdk.com/longevity/>

This information furnished by InvenSense or its affiliates (“TDK InvenSense”) is believed to be accurate and reliable. However, no responsibility is assumed by TDK InvenSense for its use, or for any infringements of patents or other rights of third parties that may result from its use. Specifications are subject to change without notice. TDK InvenSense reserves the right to make changes to this product, including its circuits and software, in order to improve its design and/or performance, without prior notice. TDK InvenSense makes no warranties, neither expressed nor implied, regarding the information and specifications contained in this document. TDK InvenSense assumes no responsibility for any claims or damages arising from information contained in this document, or from the use of products and services detailed therein. This includes, but is not limited to, claims or damages based on the infringement of patents, copyrights, mask work and/or other intellectual property rights.

Certain intellectual property owned by InvenSense and described in this document is patent protected. No license is granted by implication or otherwise under any patent or patent rights of InvenSense. This publication supersedes and replaces all information previously supplied. Trademarks that are registered trademarks are the property of their respective companies. TDK InvenSense sensors should not be used or sold in the development, storage, production or utilization of any conventional or mass-destructive weapons or for any other weapons or life threatening applications, as well as in any other life critical applications such as medical equipment, transportation, aerospace and nuclear instruments, undersea equipment, power plant equipment, disaster prevention and crime prevention equipment.

©2021—2022 InvenSense. All rights reserved. InvenSense, MotionTracking, MotionProcessing, MotionProcessor, MotionFusion, MotionApps, DMP, AAR, and the InvenSense logo are trademarks of InvenSense, Inc. The TDK logo is a trademark of TDK Corporation. Other company and product names may be trademarks of the respective companies with which they are associated.



©2021—2022 InvenSense. All rights reserved.