

DESKTOP - 12vdc 1A (12W)



TIGER PART: TP1171

Features:

- Constant voltage design with over voltage, short circuit & OC protections
- Universal 100-240vac input voltage
- Class II design 2 Pin C8 input (Class II version also available)
- Level VI efficiency
- Approved to latest 62368-1 world safety standards including CE, UKCA & UL
- Ultra compact size, measuring just 72 x 41.2 x 25mm



The Tiger Power range of switch mode power supplies feature full safety approvals and meet latest level VI energy efficiency requirements. The TP1171 12vdc 1 amp model provides a reliable constant voltage output at up to 12 watts continuous, suitable for a wide range of applications.

Part number (no mains cable included):	TP1171
Part number (Supplied with separate UK cable) :	TP1171-UK (cable boxed separately)
Part number (European cable):	TP1171-EU (cable boxed separately)
Input voltage:	100-240vac (90-264vac max.)
Input frequency:	47 - 63Hz
Output voltage:	12vdc
Current:	1A
Power :	12 Watts
Protection:	Short Circuit, Over Current protection
Dimensions:	72 x 41.2 x 25mm
Weight:	100g
AC cord length (where supplied):	2 metres (NOT INCLUDED AS STANDARD)
DC cord length:	1.5 metres
DC connector:	2.1 x 5.5 x 12mm (Female) Other options on request
Polarity:	+ve (positive) centre
Efficiency:	88%
Input current RMS Max.:	1.5A
Inrush Current at 230vac:	40A max.
Load regulation:	+ / - 5%
Safety approval:	62368-1 including UL (USA), CE, UKCA
M.T.B.F:	50,000 hours
Operating temperature:	0°C to + 40°C

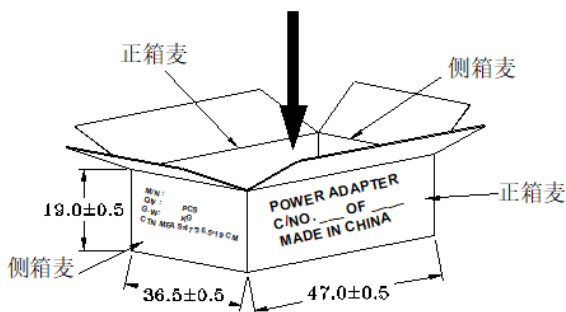
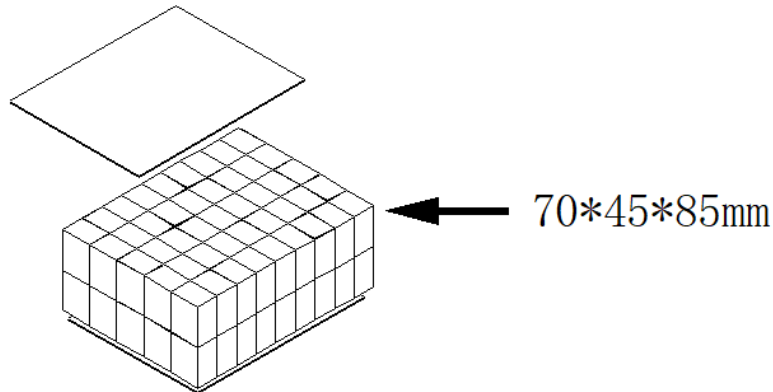
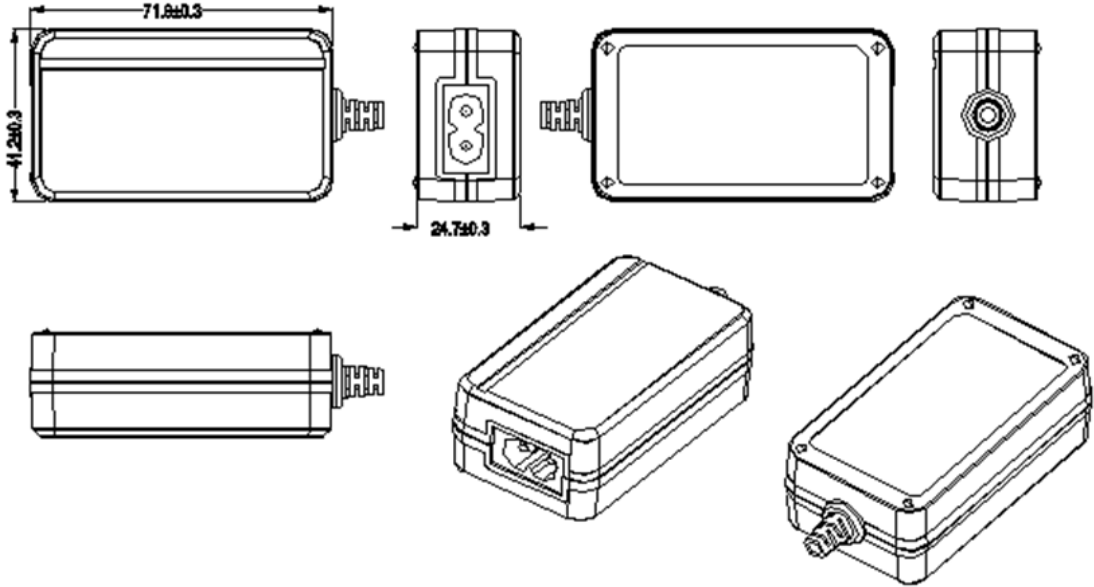
TIGER POWER PRODUCTS – QUALITY & RELIABILITY

This specification is not for general release or circulation. Tiger Power reserves the right to make changes to spec. or product without notice or liability.

DESKTOP - 12vdc 1A (12W)



TIGER PART: TP1171



- 1、100PCS/1箱
- 2、470*365*190mm)

TIGER POWER PRODUCTS – QUALITY & RELIABILITY

This specification is not for general release or circulation. Tiger Power reserves the right to make changes to spec. or product without notice or liability.