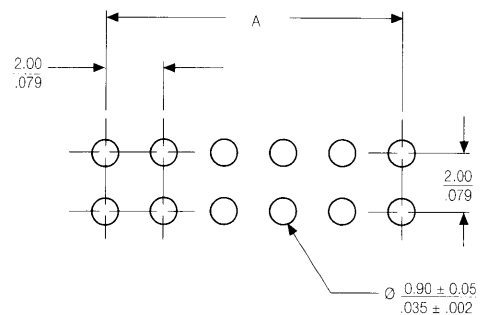
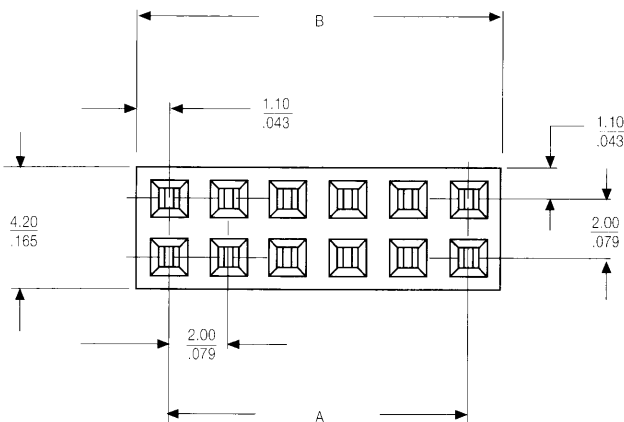
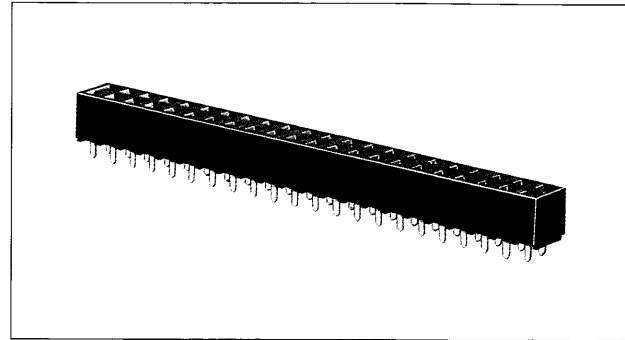


Milli-Grid 2.0mm Receptacle

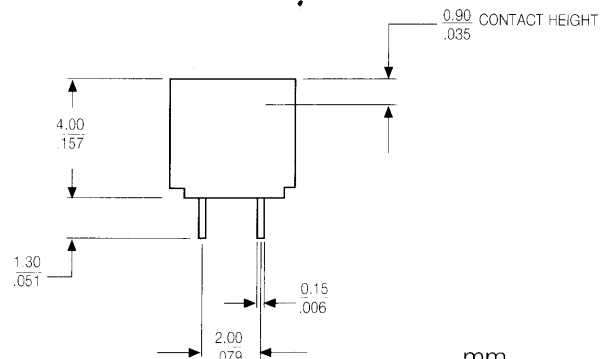
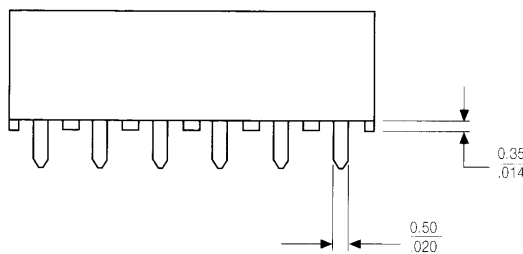


87380 Series FPC/PCB Vertical Receptacle

- 4 - 50 circuits
- High-temp nylon 4/6, 94V-0, black
- Phosphor bronze terminals
- Low profile height 4.0mm
- Longer tail options available for PCB thickness 0.89 ± 0.13 mm (consult factory)
- Accepts 2.50mm max. mating pin length
- Mates with 0.5mm square pin headers
- Tube packaging
- Option: - Locating peg version



Recommended PCB Layout



mm
inch

Ordering, Dimensional & Packaging Information

Ckt Size	Dim A mm	Dim B mm	15µin Select Gold	30µin Select Gold	Std. Packing	
			Order No.	Order No.	Tube	Carton
04	2.00	4.00	87380-0402	87380-0401	128	25 600
06	4.00	6.00	87380-0602	87380-0601	87	17 400
08	6.00	8.00	87380-0802	87380-0801	65	13 000
10	8.00	10.00	87380-1002	87380-1001	52	10 400
12	10.00	12.00	87380-1202	87380-1201	44	8800
14	12.00	14.00	87380-1402	87380-1401	38	7600
16	14.00	16.00	87380-1602	87380-1601	33	6600
18	16.00	18.00	87380-1802	87380-1801	29	5800
20	18.00	20.00	87380-2002	87380-2001	26	5200
22	20.00	22.00	87380-2202	87380-2201	24	4800
24	22.00	24.00	87380-2402	87380-2401	22	4400
26	24.00	26.00	87380-2602	87380-2601	20	4000

Ckt Size	Dim A mm	Dim B mm	15µin Select Gold	30µin Select Gold	Std. Packing	
			Order No.	Order No.	Tube	Carton
28	26.00	28.00	87380-2802	87380-2801	19	3800
30	28.00	30.00	87380-3002	87380-3001	17	3400
32	30.00	32.00	87380-3202	87380-3201	16	3200
34	32.00	34.00	87380-3402	87380-3401	15	3000
36	34.00	36.00	87380-3602	87380-3601	14	2800
38	36.00	38.00	87380-3802	87380-3801	14	2800
40	38.00	40.00	87380-4002	87380-4001	13	2600
42	40.00	42.00	87380-4202	87380-4201	12	2400
44	42.00	44.00	87380-4402	87380-4401	12	2400
46	44.00	46.00	87380-4602	87380-4601	11	2200
48	46.00	48.00	87380-4802	87380-4801	11	2200
50	48.00	50.00	87380-4802	87380-5001	10	2200