

PRO-ELEC



**Infrared Motion Sensor
Model: PELL0044
and PELL0045**

Please read these instructions carefully before use and retain for future reference. This sensor must be installed by a qualified electrician in accordance with current building and IET wiring regulations (BS7671).

IMPORTANT SAFETY INFORMATION

- This sensor is suitable for unearthed lighting fittings (Class II).
- Check that the voltage indicated on the rating plate corresponds with that of the local network before connecting the appliance to the mains power supply.
- The sensor is suitable for connection to a 220-240V, 50Hz supply. It is designed for permanent connection to fixed wiring, which must be a suitable circuit protected by an RCD with an operating current not exceeding 30mA and an MCB or fuse of the correct rating.
- Avoid mounting the sensor close to heat sources such as heating vents.
- Avoid pointing the sensor toward objects that may move in wind.
- It is suitable for use in an ambient temperature between -20°C and +40°C.

WHAT'S INCLUDED

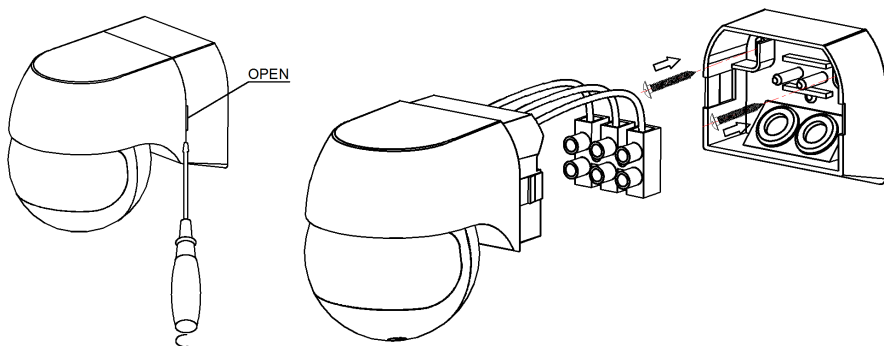
- IR Sensor.
- User manual.
- Pack of screws and wall plugs.

POSITIONING

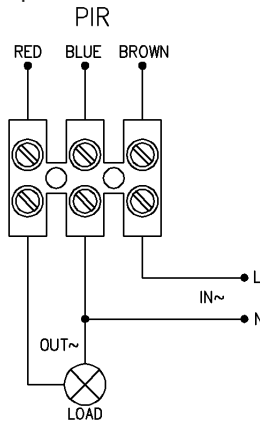
- The sensor is suitable for mounting on plasterboard, wood or masonry surfaces.
- Do not install on damp or conductive surfaces such as metal. It should be placed away from any flammable materials.
- Before drilling any fixing holes, check that there are no hidden obstructions behind the mounting surface such as pipes or cables.

INSTALLATION

- Ensure the mains supply is disconnected or isolated.
- Insert a broad blade screwdriver into the slot and prize off the rear mounting plate.
- With regard to the location of the mains feed cable offer the mounting plate to the wall and mark the position of the two mounting holes.



- Drill the wall where marked and fit the wall plugs then feed the supply and load wires through the grommets and attach the mounting plate to the wall using the screws.
- Offer the main sensor unit up so the wires can be connected as follows:



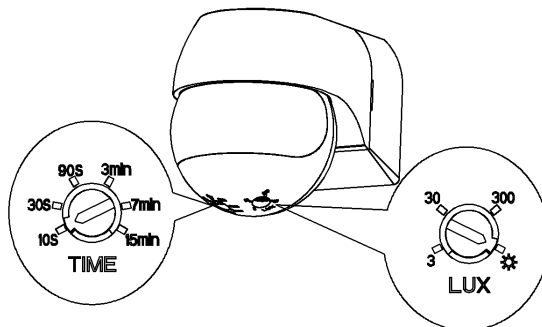
- When all wires are connected locate the terminal block onto the two pins in the recess on the mounting plate.
- Locate the main unit into the mounting plate until it locks back into position.

Note: the mounting plate is thinner below the wiring grommets and has cable knock outs to ease the routing of the wiring if required.

- Restore the power supply.

OPERATION

- **Allow at least 30 sec for the sensor to initialise before making adjustments.**
- There are two adjustments on the bottom of the PIR sensor, one adjusts the duration (TIME) the load device remains powered, the second one is to set the level of ambient light (LUX) before the sensor switches the load.
- Some trial and error may be required to set these correctly. Turn clockwise to increase the setting.

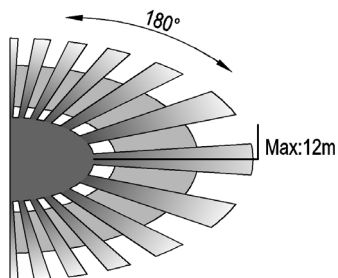
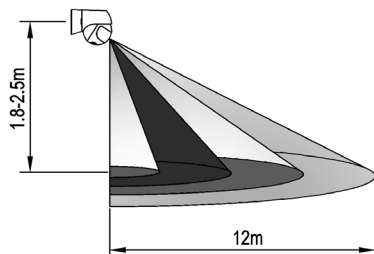


CLEANING & MAINTENANCE

- Clean the sensor only with a soft dry cloth. Do not use any chemicals, abrasives or solvents that could damage the casing or lens.

SPECIFICATION

Input Voltage	220 - 240V AC 50Hz
Power consumption	0.5W approx
Ambient light	<3 - 2000 Lux (adjustable)
Time delay	Min 10 sec / Max 15 min approx
Rated load	400W CF/LED ~ 800W Incandescent
Detection angle	180°
Detection range	12m (max)
Installation height	1.8 - 2.5m
Ingress rating	IP44



INFORMATION ON WASTE DISPOSAL FOR CONSUMERS OF ELECTRICAL & ELECTRONIC EQUIPMENT.

When this product has reached the end of its life it must be treated as Waste Electrical & Electronic Equipment (WEEE). Any WEEE marked products must not be mixed with general household waste, but kept separate for the treatment, recovery and recycling of the materials used. Contact your local authority for details of recycling schemes in your area.



Made in China
PR2 9PP
PO Box 13362 Dublin 2
Man Rev 1.1