

# PRO-ELEC



**Infrared Ceiling Motion Sensor  
Model: PELL0046**

**Please read these instructions carefully before use and retain for future reference.** This sensor must be installed by a qualified electrician in accordance with current building and IET wiring regulations (BS7671).

### IMPORTANT SAFETY INFORMATION

- This sensor is suitable for unearthed lighting fittings (Class II).
- Check that the voltage indicated on the rating plate corresponds with that of the local network before connecting the appliance to the mains power supply.
- The sensor is suitable for connection to a 220-240V, 50Hz supply. It is designed for permanent connection to fixed wiring, which must be a suitable circuit protected by an RCD with an operating current not exceeding 30mA and an MCB or fuse of the correct rating.
- Avoid mounting the sensor close to heat sources such as heating vents.
- Avoid mounting the sensor above objects that may move in wind.
- It is suitable for use in an ambient temperature between -20°C and +40°C.

### WHAT'S INCLUDED

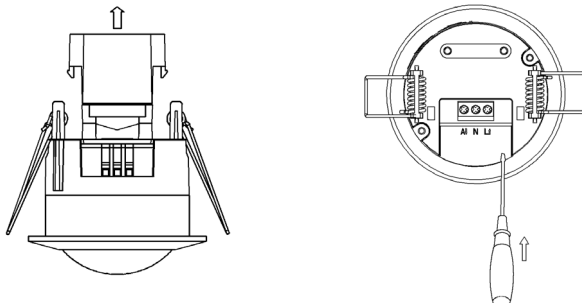
- IR Sensor.
- User manual.

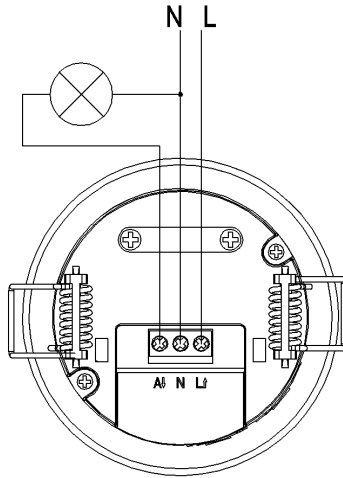
### POSITIONING

- The sensor is suitable for mounting into plasterboard, sheet wood or suspended ceiling tiles.
- Do not install into damp or conductive surfaces such as metal. It should be placed away from any flammable materials.
- Before drilling any fixing holes, check that there are no hidden obstructions behind the mounting surface such as pipes or cables.

### INSTALLATION

- Ensure the mains supply is disconnected or isolated.
- Remove the small screw that secures the transparent connector cover and remove the cover.
- Loosen the 2 screws on the cable restraint.
- Having cut the 62mm dia mounting hole in the desired location and installed the feed and load device wiring, pull the wiring down through the hole.
- Feed the wiring through the cable restraint and connect to the sensor as follows:





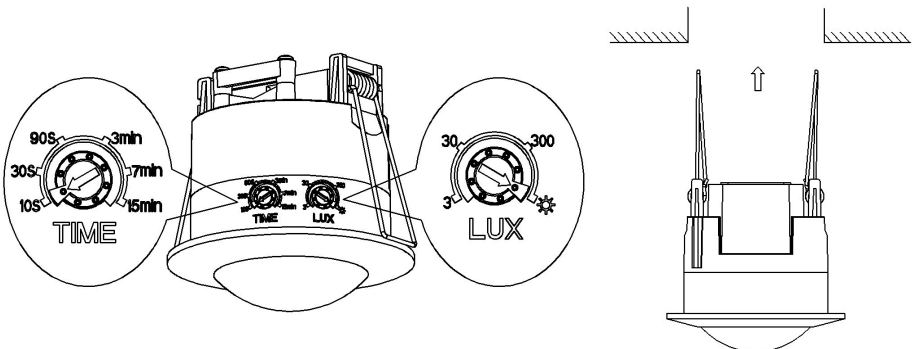
- When all wires are connected tighten the screws on the restraint.
- Refit the transparent connector cover and replace the screw.

**Note:** Before installing the sensor into the ceiling, test it's operation and make any adjustment to the settings (see below).

- Restore the power supply.

## OPERATION

- **Allow at least 30 sec for the sensor to initialise before making adjustments.**
- There are two adjustments on the side of the PIR sensor, one adjusts the duration the load device remains powered (TIME), the second one is to set the level of ambient light (LUX) before the sensor switches the load.
- Some trial and error may be required to set these correctly. Turn clockwise to increase the setting.
- To set the time duration in a well lit environment, set the LUX control to maximum then adjust the LUX downwards to the setting required for normal operation.
- Once the setting is correct fold the spring locating clips upwards and insert the sensor through the ceiling and allow the clips to release and clamp the sensor into position.

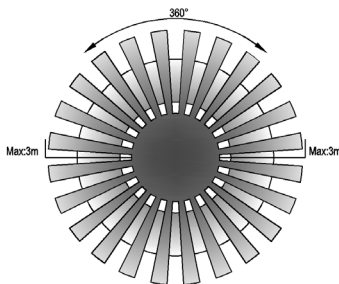
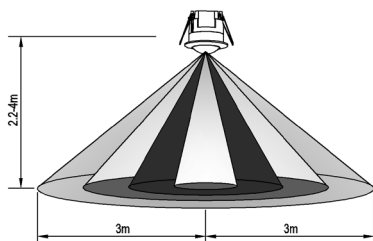


## CLEANING & MAINTENANCE

- Clean the sensor only with a soft dry cloth. Do not use any chemicals, abrasives or solvents that could damage the casing or lens.

## SPECIFICATION

<b>Input Voltage</b>	220 - 240V AC 50Hz
<b>Power consumption</b>	0.5W approx
<b>Ambient light</b>	<3 - 2000 Lux (adjustable)
<b>Time delay</b>	Min 10 sec / Max 15 min approx (adjustable)
<b>Rated load</b>	300W CF/LED ~ 1200W Incandescent
<b>Detection angle</b>	360°
<b>Detection range</b>	6m (max)
<b>Installation height</b>	2.2 - 4.0m
<b>Ingress rating</b>	IP20



### INFORMATION ON WASTE DISPOSAL FOR CONSUMERS OF ELECTRICAL & ELECTRONIC EQUIPMENT.

When this product has reached the end of its life it must be treated as Waste Electrical & Electronic Equipment (WEEE). Any WEEE marked products must not be mixed with general household waste, but kept separate for the treatment, recovery and recycling of the materials used. Contact your local authority for details of recycling schemes in your area.



Made in China  
PR2 9PP  
PO Box 13362 Dublin 2  
Man Rev 1.1