

UNITED KINGDOM 3-PIN PLUG-IN POWER SUPPLY 12VDC 15WATT



POWERPAX: SW3090-C2

Features:

- United Kingdom Fixed AC Head
- 1 Year Warranty
- Level VI Efficiency
- CE Approved



Description:

Our Range of Class II 15 Watt AC/DC United Kingdom plug-in power supplies provide 15 Watts of continuous power in a compact fixed wall plug enclosure suitable for use in many general power applications.

Specification	
Part Number	SW3090-C2
Input Voltage Range	100-240Vac
Input Frequency Range	50-60Hz \pm 3Hz
Input Current Rated	0.5A Max
Output Voltage Rating	+12V
Output Current Range	1.25A
Output Min Current	0A
Output Connection Type	2.1x5.5x12mm Centre Positive –Straight
Rating output power	15W
Line and Load Regulation	+/- 5%
Leakage Current	>0.25mA
Ripple & Noise	150mVp-p
Efficiency	84.50% Min
Short-circuit Protection	The adapter shall not be damaged by short the DC output to Ground. The adapter shall resume normal operation when a short circuited fault condition is removed.
Over Current Protection	The output shall be protected against the over current conditions.
Operating Temperature	0°C to +40°C
Storage Temperature	-20°C to +80°C
Operating Humidity	10% to 90%
Storage Humidity	10% to 90%
Hi-Pot	3000Vac 5mA 1min
Safety Standard	BS EN60950-1
EMC Standard	FCC part 15: Class B EN55022, Class B EN 55024 EN 61000-4-2 EN 61000-4-3 EN 61000-4-4 EN 61000-4-5
MTBF	50K Hours
Size mm max.	85.5 (L) x 43.8 (W) x 31.7 (H)
Weight	110g
Regulator Type	Switched Mode Power Supply

General Note

TT Electronics reserves the right to make changes in product specification without notice or liability. All information is subject to TT Electronics' own data and is considered accurate at time of going to print.

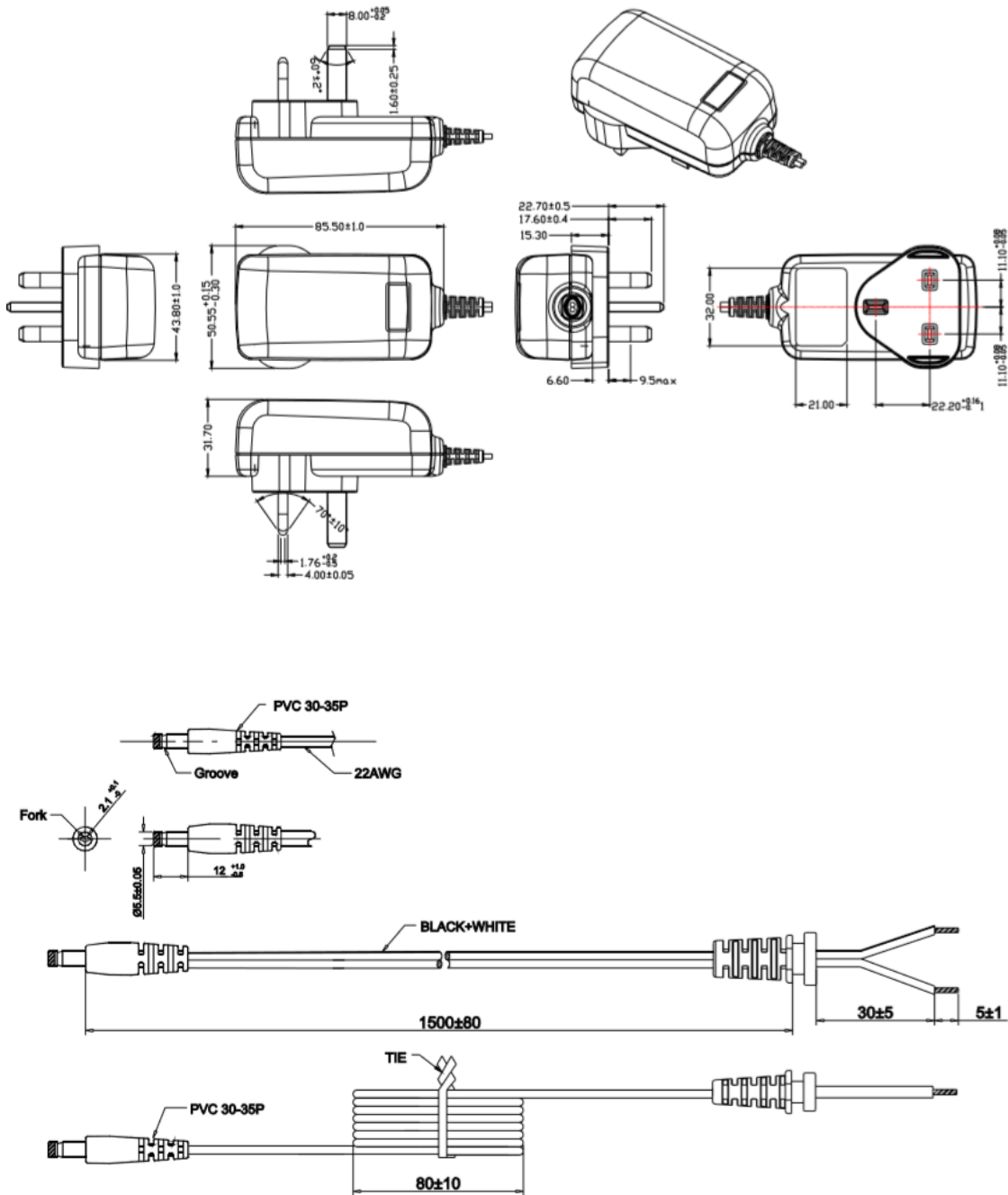
POWERPAX

TT Electronics IoT Solutions Ltd
Tofts Farm East, Brenda Road, Hartlepool, TS25 2BQ, UK
t: +44 (0) 1429 852 500

UNITED KINGDOM 3-PIN PLUG-IN POWER SUPPLY 12VDC 15WATT

POWERPAX: SW3090-C2

Diagrams



General Note

TT Electronics reserves the right to make changes in product specification without notice or liability. All information is subject to TT Electronics' own data and is considered accurate at time of going to print.

POWERPAX

TT Electronics IoT Solutions Ltd
Tofts Farm East, Brenda Road, Hartlepool, TS25 2BQ, UK
t: +44 (0) 1429 852 500