



Passive Components > Resistors > Surface Mount Resistors > SMD Power Resistor: 7 Watt, 0.10-500 Ohm



Resistor Type: **Power Resistor**

Number of Terminations: **2**

Packaging Method: **Taped & Reeled**

Passive Component Tolerance: **5 %**

Element Type: **Wire Wound**

[All SMD Power Resistor: 7 Watt, 0.10-500 Ohm \(103\)](#)

## Features

### Product Type Features

|               |                |
|---------------|----------------|
| Product Type  | Fixed Resistor |
| Resistor Type | Power Resistor |
| Element Type  | Wire Wound     |

### Configuration Features

|                     |   |
|---------------------|---|
| Number of Resistors | 1 |
|---------------------|---|

### Electrical Characteristics

|                             |           |
|-----------------------------|-----------|
| Voltage Rating              | 500 V     |
| Passive Component Tolerance | 5 %       |
| Resistance Class            | Up to 1kΩ |
| Resistance Value            | 300 Ω     |
| Power Rating                | 5 W       |

### Termination Features

|   |        |
|---|--------|
| Number of Terminations                  | 2      |
| Surface Mount Resistor Termination Type | Solder |

### Dimensions

|                              |                     |
|------------------------------|---------------------|
| Passive Component Dimensions | 13.5 x 7.3 x 6.8 mm |
|------------------------------|---------------------|

### Usage Conditions

|                         |                             |
|-------------------------|-----------------------------|
| Temperature Coefficient | $\pm$ 200 ppm/ $^{\circ}$ C |
|-------------------------|-----------------------------|

### Packaging Features

|                  |                |
|------------------|----------------|
| Packaging Method | Taped & Reeled |
|------------------|----------------|

### Product Compliance

[For compliance documentation, visit the product page on TE.com>](#)

|   |   |
|---|---|
| EU RoHS Directive 2011/65/EU                  | Compliant   |
| EU ELV Directive 2000/53/EC                   | Compliant   |
| China RoHS 2 Directive MIIT Order No 32, 2016 | No Restricted Materials Above Threshold   |
| EU REACH Regulation (EC) No. 1907/2006        | Current ECHA Candidate List: JAN 2022 (223)<br>Candidate List Declared Against: JAN 2022 (223)<br>Does not contain REACH SVHC |
| Halogen Content                               | Low Halogen - Br, Cl, F, I < 900 ppm per homogenous material. Also BFR/CFR/PVC Free   |
| Solder Process Capability                     | Wave solder capable to 265 $^{\circ}$ C   |

#### Product Compliance Disclaimer

This information is provided based on reasonable inquiry of our suppliers and represents our current actual knowledge based on the information they provided. This information is subject to change. The part numbers that TE has identified as EU RoHS compliant have a maximum concentration of 0.1% by weight in homogenous materials for lead, hexavalent chromium, mercury, PBB, PBDE, DBP, BBP, DEHP, DIBP, and 0.01% for cadmium, or qualify for an exemption to these limits as defined in the Annexes of Directive 2011/65/EU (RoHS2). Finished electrical and electronic equipment products will be CE marked as required by Directive 2011/65/EU. Components may not be CE marked. Additionally, the part numbers that TE has identified as EU ELV compliant have a maximum concentration of 0.1% by weight in homogenous materials for lead, hexavalent chromium, and mercury, and 0.01% for cadmium, or qualify for an exemption to these limits as defined in the Annexes of Directive 2000/53/EC (ELV). Regarding the REACH Regulation, the information TE provides on SVHC in articles for this part number is based on the latest European Chemicals Agency (ECHA) 'Guidance on requirements for substances in articles' posted at this URL: <https://echa.europa.eu/guidance-documents/guidance-on-reach>

### Compatible Parts



## Also in the Series | CGS SM



Battery Holders(1)



Expanded Beam Fiber Optics(9)



LC Connectors(2)



RJ14 Connectors(1)



RJ22 Connectors(1)



RJ25 Connectors(1)



RJ45 Connectors(3)



SD Card Connectors(1)

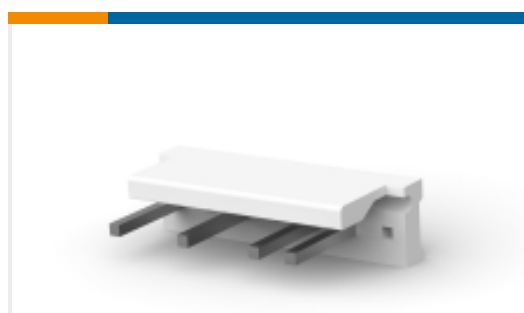


Surface Mount Resistors(545)

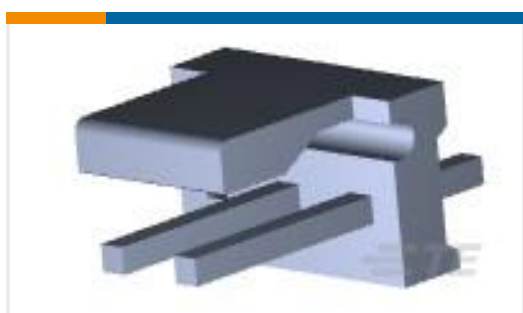
## Customers Also Bought



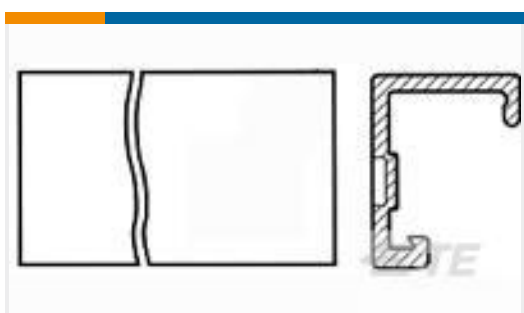
TE Part #5-104361-4  
05 MTE HDR SRRA LATCH W/HLDWN



TE Part #1-643464-4  
07P MTA156 HD ASY ST W/O#1,4,6



TE Part #641937-2  
03P MTA156 HDR ASSY SQ W/O#3



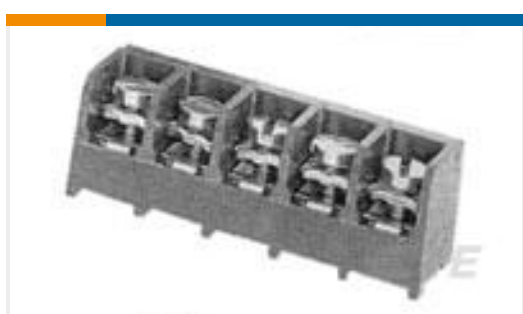
TE Part #640551-7  
07P MTA156 COVER



TE Part #1776296-4  
TSB5000431DS=EUROPA T-BLK,10MM



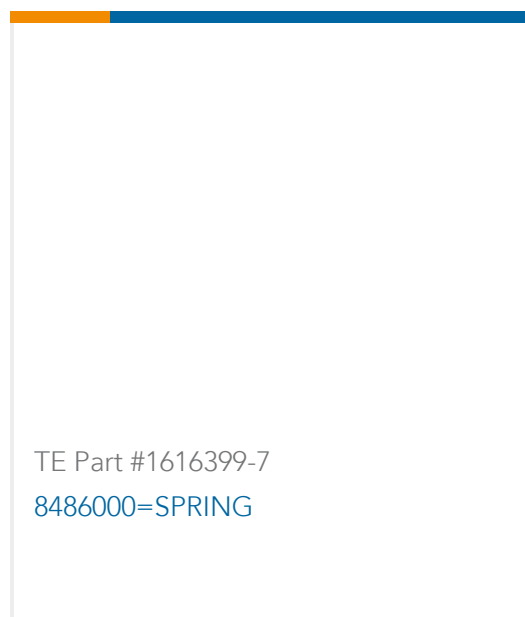
TE Part #641991-2  
07P MTA156 HDR ASSY SQ W/O#5



TE Part #3-1437651-4  
6DBL-02-006=6DBL ASSEMBLY



TE Part #1-2027011-0  
R10-E2W4-S1.8K=RELAY,7.5A,4C, AGCDO,24VDC



## Documents

### CAD Files

[3D PDF](#)

[3D](#)

#### Customer View Model

[ENG\\_CVM\\_CVM\\_8-1879233-4\\_BA.2d\\_dxf.zip](#)

English

#### Customer View Model

[ENG\\_CVM\\_CVM\\_8-1879233-4\\_BA.3d\\_igs.zip](#)

English

#### Customer View Model

[ENG\\_CVM\\_CVM\\_8-1879233-4\\_BA.3d\\_stp.zip](#)

English

By downloading the CAD file I accept and agree to the [Terms and Conditions](#) of use.

### Datasheets & Catalog Pages

[1309350\\_PASSIVE\\_COMPONENT](#)

English

[SMD Moulded Power Resistor - Type SM Series - Tyco Electronics Passives](#)

English

[8-1773459-4\\_POWER\\_FILTERING\\_AND\\_RESISTIVE\\_SOLUTIONS\\_FOR\\_ELEVATORS\\_AND\\_ESCALATORS](#)

English

### Product Environmental Compliance

[Product Compliance](#)

English

[Product Compliance](#)

English