

SMW5R10JT ✓ ACTIVE

CGS | CGS SM

TE Internal #: 1879233-1

CGS SM, Surface Mount Resistors, Power Resistor, 2 Termination, Taped & Reeled, 5 %, Wire Wound, Resistance Class Up to 1k Ω , .1 Ω , 5 W, ± 200 ppm/ $^{\circ}$ C

[View on TE.com >](#)



Passive Components > Resistors > Surface Mount Resistors



Resistor Type: **Power Resistor**

Number of Terminations: **2**

Packaging Method: **Taped & Reeled**

Passive Component Tolerance: **5 %**

Element Type: **Wire Wound**

Features

Product Type Features

Product Type	Fixed Resistor
Resistor Type	Power Resistor
Element Type	Wire Wound

Configuration Features

Number of Resistors	1
---------------------	---

Electrical Characteristics

Voltage Rating	500 V
Passive Component Tolerance	5 %
Resistance Class	Up to 1k Ω
Resistance Value	.1 Ω
Power Rating	5 W

Termination Features

Number of Terminations	2
Surface Mount Resistor Termination Type	Solder

Dimensions

Passive Component Dimensions	13.5 x 7.3 x 6.8 mm
------------------------------	---------------------

Usage Conditions

Temperature Coefficient	± 200 ppm/ $^{\circ}$ C
-------------------------	-----------------------------



Packaging Features

Packaging Method	Taped & Reeled
------------------	----------------

Product Compliance

[For compliance documentation, visit the product page on TE.com>](#)

EU RoHS Directive 2011/65/EU	Compliant
EU ELV Directive 2000/53/EC	Compliant
China RoHS 2 Directive MIIT Order No 32, 2016	No Restricted Materials Above Threshold
EU REACH Regulation (EC) No. 1907/2006	Current ECHA Candidate List: JAN 2022 (223) Candidate List Declared Against: JAN 2022 (223) Does not contain REACH SVHC
Halogen Content	Low Halogen - Br, Cl, F, I < 900 ppm per homogenous material. Also BFR/CFR/PVC Free
Solder Process Capability	Wave solder capable to 265°C

Product Compliance Disclaimer

This information is provided based on reasonable inquiry of our suppliers and represents our current actual knowledge based on the information they provided. This information is subject to change. The part numbers that TE has identified as EU RoHS compliant have a maximum concentration of 0.1% by weight in homogenous materials for lead, hexavalent chromium, mercury, PBB, PBDE, DBP, BBP, DEHP, DIBP, and 0.01% for cadmium, or qualify for an exemption to these limits as defined in the Annexes of Directive 2011/65/EU (RoHS2). Finished electrical and electronic equipment products will be CE marked as required by Directive 2011/65/EU. Components may not be CE marked. Additionally, the part numbers that TE has identified as EU ELV compliant have a maximum concentration of 0.1% by weight in homogenous materials for lead, hexavalent chromium, and mercury, and 0.01% for cadmium, or qualify for an exemption to these limits as defined in the Annexes of Directive 2000/53/EC (ELV). Regarding the REACH Regulation, the information TE provides on SVHC in articles for this part number is based on the latest European Chemicals Agency (ECHA) 'Guidance on requirements for substances in articles' posted at this URL: <https://echa.europa.eu/guidance-documents/guidance-on-reach>

Compatible Parts



Also in the Series | CGS SM



Battery Holders(1)



Expanded Beam Fiber Optics(9)



LC Connectors(2)



RJ14 Connectors(1)



RJ22 Connectors(1)



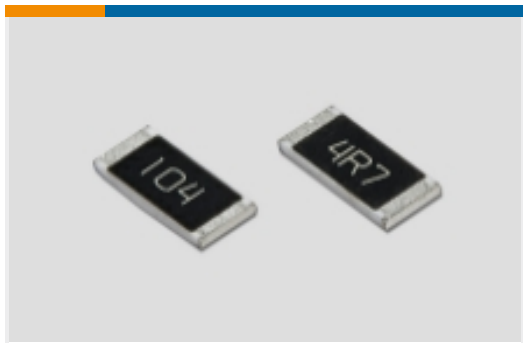
RJ25 Connectors(1)



RJ45 Connectors(3)



SD Card Connectors(1)

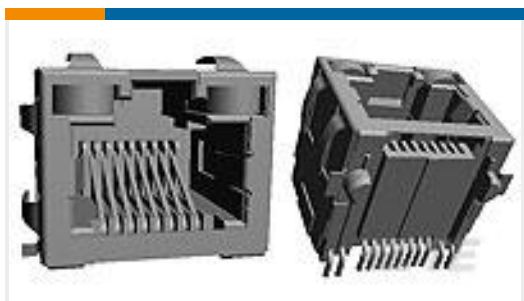


Surface Mount Resistors(545)

Customers Also Bought



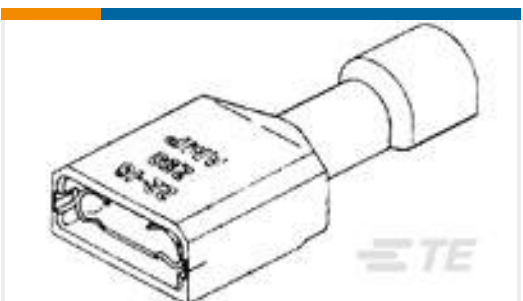
TE Part #5748027-1
25 PLUG SP/FMS (IN,SL)



TE Part #6339191-5
MJ,RJ45,SMT,SHLD,LED(G/G)



TE Part #1734366-1
Std USB Type A, VT, T/H



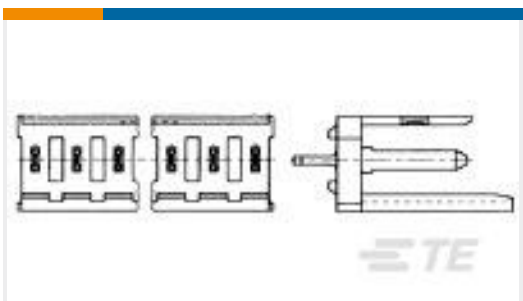
TE Part #2-520411-2
ULTRA-FAST 187 ASY REC 22-18 TPBR



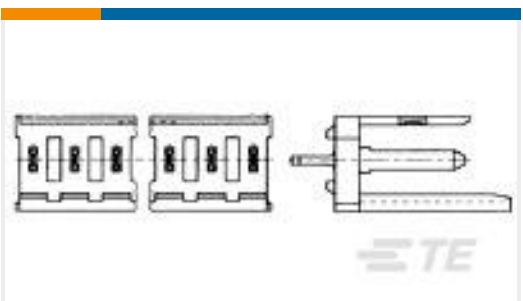
TE Part #3-794620-2
02P MICRO MNL ASSY,R/A,HDR,LF



TE Part #3-794681-4
04P MICRO MNL ASSY,VRT,THRU,LF



TE Part #280611-1
6P MOD 1 SHROUDED HEADER, ST, TIN PLTD



TE Part #280612-1
8P MOD 1 SHROUDED HEADER, ST, TIN PLTD



Documents

CAD Files

[3D PDF](#)

[3D](#)

Customer View Model

[ENG_CVM_CVM_1879233-1_BA.2d_dxf.zip](#)

English

Customer View Model

[ENG_CVM_CVM_1879233-1_BA.3d_igs.zip](#)

English

Customer View Model

[ENG_CVM_CVM_1879233-1_BA.3d_stp.zip](#)

English

By downloading the CAD file I accept and agree to the [Terms and Conditions](#) of use.

Datasheets & Catalog Pages

[1309350_PASSIVE_COMPONENT](#)

English

[SMD Moulded Power Resistor - Type SM Series - Tyco Electronics Passives](#)

English

[8-1773459-4_POWER_FILTERING_AND_RESISTIVE_SOLUTIONS_FOR_ELEVATORS_AND_ESCALATORS](#)

English