

INTERCHANGEABLE WALL PLUG POWER SUPPLY 12VDC 36WATT

POWERPAX: SW4468-B

Features:

- Interchangeable AC Heads
- 1 Year Warranty
- Level VI Efficiency
- Worldwide Approvals



Description:

Our range of 36 Watt Interchangeable wall plug power supplies provide 36 watts of continuous power with the flexibility of worldwide usage as they are supplied with UK, Euro, Auz & USA AC Heads , all Efficiency Level VI and carry worldwide safety approvals.

Specification	
Part Code	SW4468-B
Input Voltage Range	90-264 Vac
Input Frequency Range	50/60Hz +/- 3Hz
Input Current Rated	1.0A max @ Full load&115Vac input
Input AC Heads	UK, Euro, Auz & USA
Output Voltage Rating	+12V
Output Current Range	3.0A
Output Min Current	0A
Output Connection Type	2.1x5.5x12mm centre positive – Straight
Total Output Regulation	+/-5%
Line and Load Regulation	+/-5%
Ripple & Noise	150mVp-p
Efficiency	88.3%Min
Over Voltage Protection	The output voltage shall be clamped by internal protection.
Over Load Protection	auto restart
Operating Temperature	0°C to +40°C
Storage Temperature	-20°C to +70°C
Operating Humidity	10% to 95%
Storage Humidity	10% to 95%
Hi-Pot	3000VAC 10mA 1min
Leakage Current	<0.25mA max
Safety Standard	GS, UL,CE,CUL,RCM
EMI Standard	FCC part 15: Class B; EN55032, Class B; GB9254, GB17625.1
MTBF	50K Hours
Size mm max.	97.5(H) x 47(W) x 42.9(H) mm
Weight	198 g

General Note

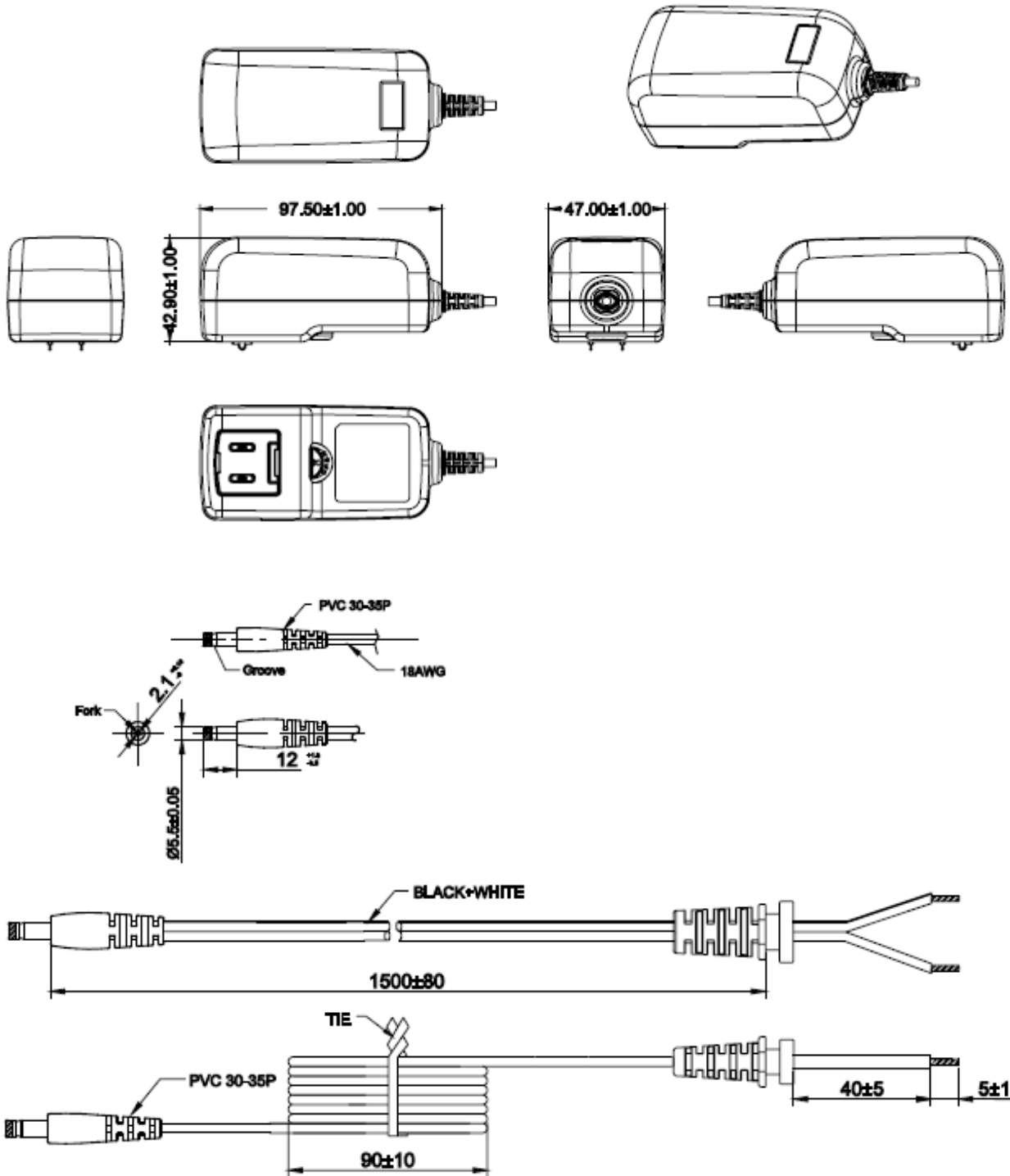
TT Electronics reserves the right to make changes in product specification without notice or liability. All information is subject to TT Electronics' own data and is considered accurate at time of going to print.

POWERPAX

TT Electronics IoT Solutions Ltd
Tofts Farm East, Brenda Road, Hartlepool, TS25 2BQ, UK
t: +44 (0) 1429 852 500

INTERCHANGEABLE WALL PLUG POWER SUPPLY 12VDC 36WATT POWERPAX: SW4468-B

Diagrams



General Note
TT Electronics reserves the right to make changes in product specification without notice or liability. All information is subject to TT Electronics' own data and is considered accurate at time of going to print.