

UNITED KINGDOM 3-PIN PLUG-IN POWER SUPPLY 9VDC 15WATT

POWERPAX: SW3089-C2

Features:

- United Kingdom Fixed AC Head
- 1 Year Warranty
- Level VI Efficiency
- CE Approved



Description:

Our range of Class II 15 watt AC/DC United Kingdom plug-in power supplies provide 15 watts of continuous power in a compact fixed wall plug enclosure suitable for use in many general power applications.

Specification	
Part Number	SW3089-C2
Input Voltage Range	90-264Vac
Input Frequency Range	50-60Hz
Input Current Rated	0.5A Max
Output Voltage Rating	+9V
Output Current Range	1.67A
Output Min Current	0A
Output Connection Type	2.1x5.5x12mm Centre Positive – Straight
Total Output Regulation	+/- 5%
Line and Load Regulation	+/- 5%
Ripple & Noise	150mVp-p
Efficiency	84.5% Min
Over Voltage Protection	25VDC Maximum
Over Load Protection	2.5A max with auto-recovery function
Operating Temperature	0° to 40°C
Storage Temperature	-20° to +60°C
Operating Humidity	20% to 85%
Storage Humidity	5% to 95%
Hi-Pot	3000VAC 10mA 1min
Leakage Current	0.25mA max
Safety Standard	Meet T-LICENSE(BS EN60950-1)
EMI Standard	Meet CE(EN55022)
MTBF	50k hours
Size mm max.	85(L) 43(W) 31 (H) mm
Weight	190g
Regulator Type	Switched Mode Power Supply

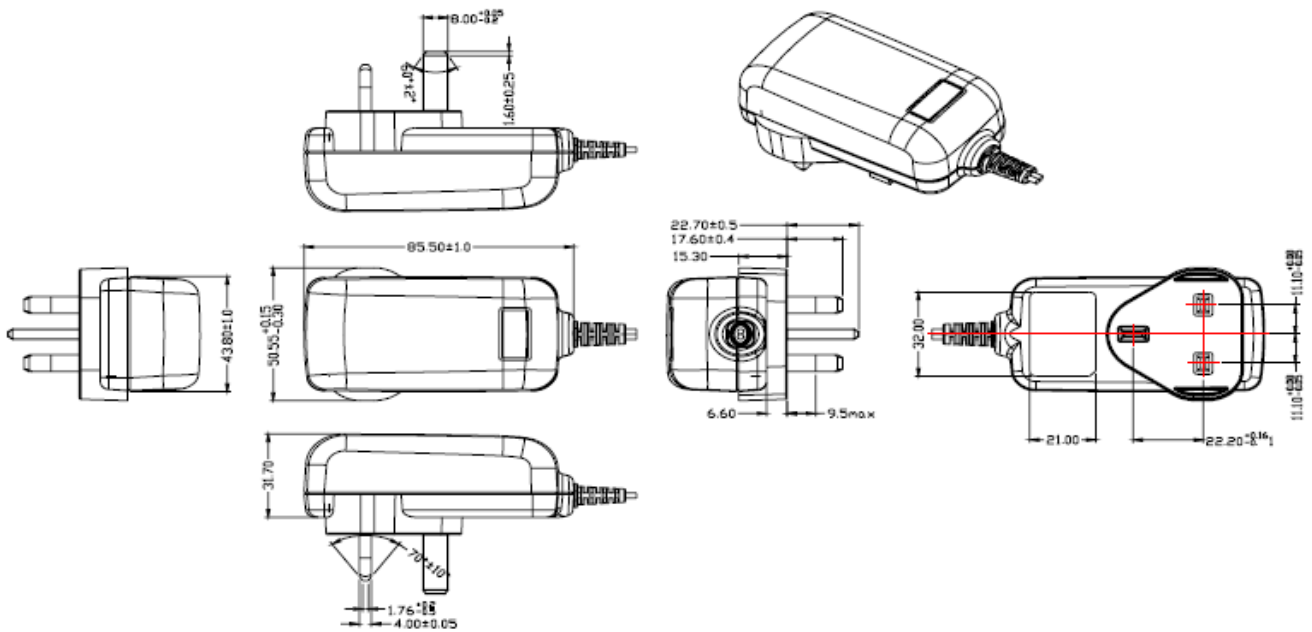
POWERPAX

General Note

TT Electronics reserves the right to make changes in product specification without notice or liability. All information is subject to TT Electronics' own data and is considered accurate at time of going to print.

UNITED KINGDOM 3-PIN PLUG-IN POWER SUPPLY 9VDC 15WATT POWERPAX: SW3089-C2

Diagrams



General Note

TT Electronics reserves the right to make changes in product specification without notice or liability. All information is subject to TT Electronics' own data and is considered accurate at time of going to print.

POWERPAX

TT Electronics IoT Solutions Ltd
Tofts Farm East, Brenda Road, Hartlepool, TS25 2BQ, UK
t: +44 (0) 1429 852 500

**UNITED KINGDOM 3-PIN PLUG-IN
POWER SUPPLY 9VDC 15WATT**
POWERPAX: SW3089-C2



Issue	Change Description	Approval	Date
1	Change made		11/09/18
2	IS Changed		20/11/18
3	MW—PPax		26/11/19

General Note
TT Electronics reserves the right to make changes in product specification without notice or liability. All information is subject to TT Electronics' own data and is considered accurate at time of going to print.