

# PCF-124D2M,000 ✓ ACTIVE

## OEG | OEG Miniature Relay PCF

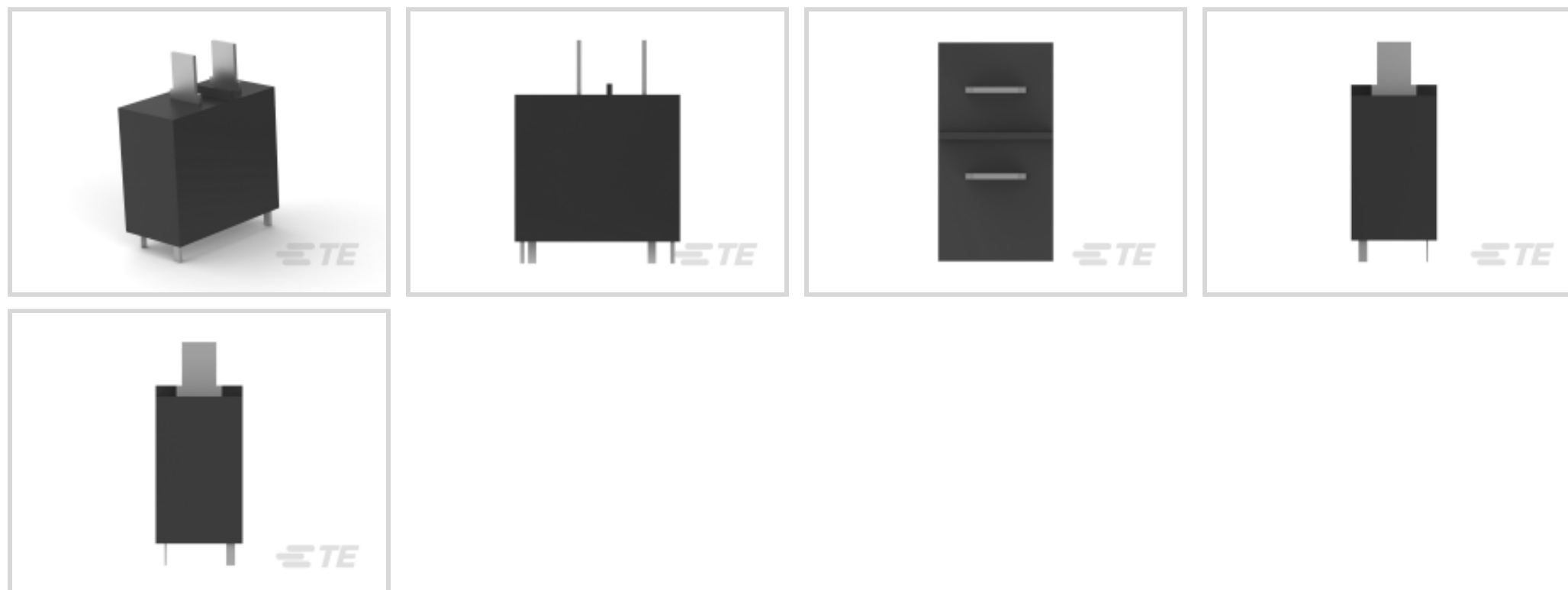
TE Internal #: 5-1440002-8

OEG Miniature Relay PCF, Power Relays, Standard, Monostable, DC, 900 mW Coil Power Rating DC, 640  $\Omega$  Coil Resistance, 24 VDC Coil Voltage

[View on TE.com >](#)



Relays, Contactors & Switches > Relays > Power Relays > PCN 3A/5A SLIM PCB RELAY 5VDC



Power Relay Type: **Standard**

Coil Magnetic System: **Monostable, DC**

Coil Power Rating Class: **800 – 1000 mW**

Coil Power Rating DC: **900 mW**

Coil Resistance: **640  $\Omega$**

[All PCN 3A/5A SLIM PCB RELAY 5VDC \(6\)](#)

## Features

### Product Type Features

Power Relay Type	Standard
------------------	----------

### Electrical Characteristics

Insulation Initial Dielectric Between Coil & Contact Class	4000 V
Insulation Initial Dielectric Between Open Contacts	1000 Vrms
Contact Limiting Making Current	25 A
Contact Limiting Short-Time Current	25 A
Contact Limiting Continuous Current	25 A
Insulation Creepage Class	5.5 – 8 mm
Insulation Initial Dielectric Between Contacts & Coil	5000 Vrms
Insulation Initial Resistance	1000 M $\Omega$
Insulation Creepage Between Contact & Coil	8 mm [.315 in]
Contact Limiting Breaking Current	25 A
Coil Magnetic System	Monostable, DC

Coil Power Rating Class	800 – 1000 mW
Coil Power Rating DC	900 mW
Coil Resistance	640 $\Omega$
Coil Voltage Rating	24 VDC
Contact Switching Load (Min)	100mA @ 1V
Contact Voltage Rating	24 VDC

### Body Features

Insulation Special Features	8000V Initial Surge Withstand Voltage between Contacts & Coil
Product Weight	28 g[.988 oz]

### Contact Features

Contact Arrangement	1 Form A (NO)
Contact Current Class	16 A, 20 – 30 A
Contact Current Rating (Max)	25 A
Contact Material	AgSnO
Contact Number of Poles	1
Relay Terminal Type	PCB-THT, Quick Connect

### Mechanical Attachment

Relay Mounting Type	Printed Circuit Board
---------------------	-----------------------

### Dimensions

Length Class (Mechanical)	30 – 35 mm
Insulation Clearance Class	5 – 8 mm
Height Class (Mechanical)	25 – 30 mm
Insulation Clearance Between Contact & Coil	6.7 mm[.264 in]
Width Class (Mechanical)	12 – 16 mm
Product Width	16 mm[.63 in]
Product Length	30.4 mm[1.197 in]
Product Height	26.5 mm[1.043 in]

### Usage Conditions

Environmental Ambient Temperature Class	50 – 70 °C
Environmental Ambient Temperature (Max)	55 °C[131 °F]

### Packaging Features



Packaging Method	Box & Tube, Tube
------------------	------------------

### Product Compliance

[For compliance documentation, visit the product page on TE.com>](#)

EU RoHS Directive 2011/65/EU	Compliant
EU ELV Directive 2000/53/EC	Compliant
China RoHS 2 Directive MIIT Order No 32, 2016	No Restricted Materials Above Threshold
EU REACH Regulation (EC) No. 1907/2006	Current ECHA Candidate List: JAN 2022 (223) Candidate List Declared Against: JAN 2022 (223) Does not contain REACH SVHC
Halogen Content	Not Low Halogen - contains Br or Cl > 900 ppm.
Solder Process Capability	Wave solder capable to 265°C

#### Product Compliance Disclaimer

This information is provided based on reasonable inquiry of our suppliers and represents our current actual knowledge based on the information they provided. This information is subject to change. The part numbers that TE has identified as EU RoHS compliant have a maximum concentration of 0.1% by weight in homogenous materials for lead, hexavalent chromium, mercury, PBB, PBDE, DBP, BBP, DEHP, DIBP, and 0.01% for cadmium, or qualify for an exemption to these limits as defined in the Annexes of Directive 2011/65/EU (RoHS2). Finished electrical and electronic equipment products will be CE marked as required by Directive 2011/65/EU. Components may not be CE marked. Additionally, the part numbers that TE has identified as EU ELV compliant have a maximum concentration of 0.1% by weight in homogenous materials for lead, hexavalent chromium, and mercury, and 0.01% for cadmium, or qualify for an exemption to these limits as defined in the Annexes of Directive 2000/53/EC (ELV). Regarding the REACH Regulation, the information TE provides on SVHC in articles for this part number is based on the latest European Chemicals Agency (ECHA) 'Guidance on requirements for substances in articles' posted at this URL: <https://echa.europa.eu/guidance-documents/guidance-on-reach>

### Compatible Parts



### Also in the Series | OEG Miniature Relay PCF



Combo Jacks(1)



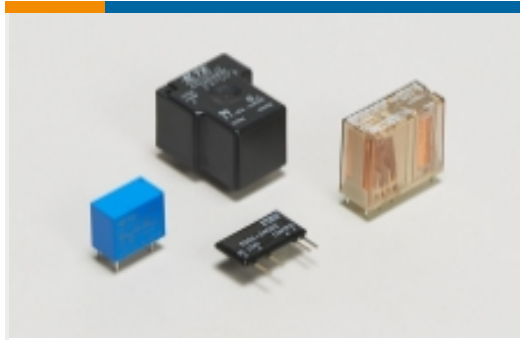
IDC D-Sub Connectors(1)



Mini PCI Express & mSATA(1)



PCB Headers & Receptacles(4)



Power Relays(4)



RJ14 Connectors(2)



RJ22 Connectors(2)



RJ25 Connectors(8)



RJ45 Connectors(70)

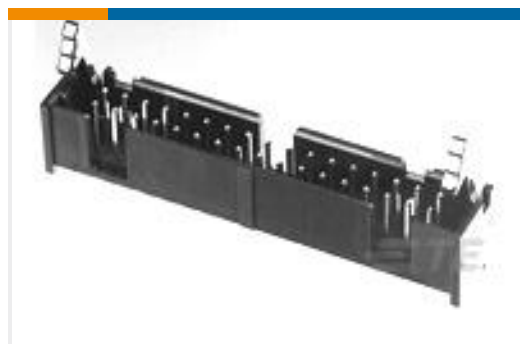


Wire-to-Board Connector Contacts(1)

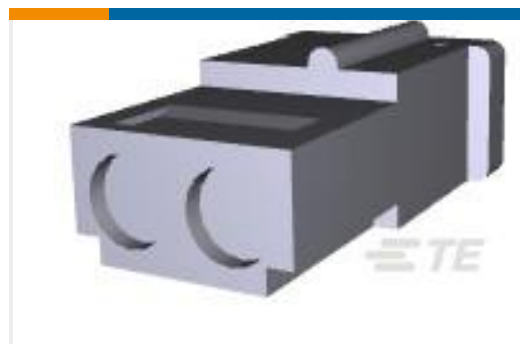
## Customers Also Bought



TE Part #1-1721081-4  
PCJ-124D3MH,301



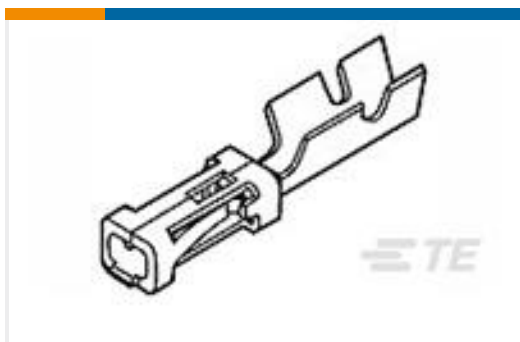
TE Part #2-1761606-7  
IDC LOW PRO HDR 20P VERT LG LA



TE Part #1-480683-0  
02P CMNL PLUG HSG F/H NATL



TE Part #350712-1  
09P UMNL PIN HDR ASSY 94VO



TE Part #87309-9  
MOD V RECP PLTD 30 AU



TE Part #60196-2  
187 FASTON REC 20-16 AWG TPBR



TE Part #2-322695-2  
TERMINAL,SOLIS R HR 16-14 10



TE Part #9-146280-0  
40 MODII HDR SRST B/A .100CL



## Documents

### Product Drawings

[PCF-124D2M,000](#)

English

### CAD Files

[3D PDF](#)

3D

Customer View Model

[ENG\\_CVM\\_CVM\\_5-1440002-8\\_D\\_c-5-1440002-8-d.2d\\_dxf.zip](#)

English

Customer View Model

[ENG\\_CVM\\_CVM\\_5-1440002-8\\_D\\_c-5-1440002-8-d.3d\\_igs.zip](#)

English

Customer View Model

[ENG\\_CVM\\_CVM\\_5-1440002-8\\_D\\_c-5-1440002-8-d.3d\\_stp.zip](#)

English

By downloading the CAD file I accept and agree to the [Terms and Conditions](#) of use.

### Datasheets & Catalog Pages

[PCF Series Relay Data Sheet - English](#)

English

### Product Specifications

[Definitions, Handling, Processing, Testing and Use of Relays](#)

English

[PCF-124D2M,000 Spec Sheet](#)

Japanese