



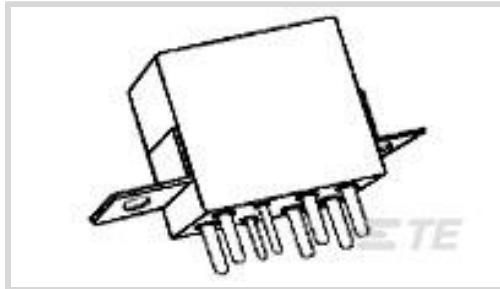
CII | CII FCB-205 Series

TE Internal #: 4-1617758-4

CII FCB-205 Series, Mid-Range Relays, 2 Form C, DPDT, 2 C/O, Coil Suppression Diode, Tin-Lead Terminal Plating, 5 A, 28 VDC Coil Voltage

[View on TE.com >](#)

Relays, Contactors & Switches > Relays > Mil-Aero Relays > Mid-Range Relays



Mid-Range Relay Contact Arrangement: **2 Form C, DPDT, 2 C/O**

Coil Suppression Diode: **With**

Auxiliary Contacts: **Without**

Terminal Plating: **Tin-Lead**

Mid-Range Relay Contact Current Rating: **5 A**

**Features**

**Product Type Features**

Enclosure Type	Hermetically Sealed
Terminal Configuration	Solder Pins
Product Type	Relay
Relay Type	Military/Aerospace Mid-Range

**Electrical Characteristics**

Vibration	30G's, 70 – 3000Hz
Shock	200G's, 6ms
Coil Suppression Diode	With
Mid-Range Relay Coil Voltage Rating	28 VDC
Mid-Range Relay Coil Resistance	500 Ω
Back EMF Suppression	With
Coil Magnetic System	Polarized, Monostable
Actuating System	DC

**Contact Features**

Mid-Range Relay Contact Arrangement	2 Form C, DPDT, 2 C/O
Auxiliary Contacts	Without
Terminal Plating	Tin-Lead
Mid-Range Relay Contact Current Rating	5 A



Contact Base Material	Silver Cadmium Oxide
-----------------------	----------------------

### Mechanical Attachment

Mid-Range Relay Mounting Type	No Brackets
-------------------------------	-------------

### Usage Conditions

Operating Temperature Range	-70 – 125 °C
-----------------------------	--------------

## Product Compliance

[For compliance documentation, visit the product page on TE.com>](#)

EU RoHS Directive 2011/65/EU	Not Compliant
------------------------------	---------------

EU ELV Directive 2000/53/EC	Not Compliant
-----------------------------	---------------

China RoHS 2 Directive MIIT Order No 32, 2016	Restricted Materials Above Threshold
-----------------------------------------------	--------------------------------------

EU REACH Regulation (EC) No. 1907/2006	Current ECHA Candidate List: JAN 2022 (223) Candidate List Declared Against: JUL 2021 (219) SVHC > Threshold: Not Yet Reviewed
----------------------------------------	-----------------------------------------------------------------------------------------------------------------------------------------

Halogen Content	Low Halogen - Br, Cl, F, I < 900 ppm per homogenous material. Also BFR/CFR/PVC Free
-----------------	-------------------------------------------------------------------------------------

Solder Process Capability	Not lead free process capable
---------------------------	-------------------------------

#### Product Compliance Disclaimer

This information is provided based on reasonable inquiry of our suppliers and represents our current actual knowledge based on the information they provided. This information is subject to change. The part numbers that TE has identified as EU RoHS compliant have a maximum concentration of 0.1% by weight in homogenous materials for lead, hexavalent chromium, mercury, PBB, PBDE, DBP, BBP, DEHP, DIBP, and 0.01% for cadmium, or qualify for an exemption to these limits as defined in the Annexes of Directive 2011/65/EU (RoHS2). Finished electrical and electronic equipment products will be CE marked as required by Directive 2011/65/EU. Components may not be CE marked. Additionally, the part numbers that TE has identified as EU ELV compliant have a maximum concentration of 0.1% by weight in homogenous materials for lead, hexavalent chromium, and mercury, and 0.01% for cadmium, or qualify for an exemption to these limits as defined in the Annexes of Directive 2000/53/EC (ELV). Regarding the REACH Regulation, the information TE provides on SVHC in articles for this part number is based on the latest European Chemicals Agency (ECHA) 'Guidance on requirements for substances in articles' posted at this URL: <https://echa.europa.eu/guidance-documents/guidance-on-reach>

## Compatible Parts




TE Part # 6-1617760-1  
FCB-405-0514M=M83536/5-014M



TE Part # 6-1617787-1  
FCB-405-0621L=M83536/6-021L



TE Part # 8-1617783-2  
FCB-405-BY4 RELAY



TE Part # 1-1617787-8  
FCB-405-0526M=M83536/5-026M



TE Part # 1617787  
FCB-405-0512M=M83536/5-012M



TE Part # 1617787-1  
FCB-405-0513L=M83536/5-013L



TE Part # 2-1617787-1  
FCB-405-0528L=M83536/5-028L



TE Part # 3-1617787-1  
FCB-405-0601L=M83536/6-001L



TE Part # 4-1617787-1  
FCB-405-0606M=M83536/6-006M



TE Part # 5-1617787-1  
FCB-405-0613L=M83536/6-013L



TE Part # 7-1617760-1  
FCB-405-0602M=M83536/6-002M




TE Part # 7-1617786-9  
FCB-405-0502L=M83536/5-002L



TE Part # 8-1617786-9  
FCB-405-0507L=M83536/5-007L



TE Part # 9-1617786-6  
FCB-405-0510M=M83536/5-010M



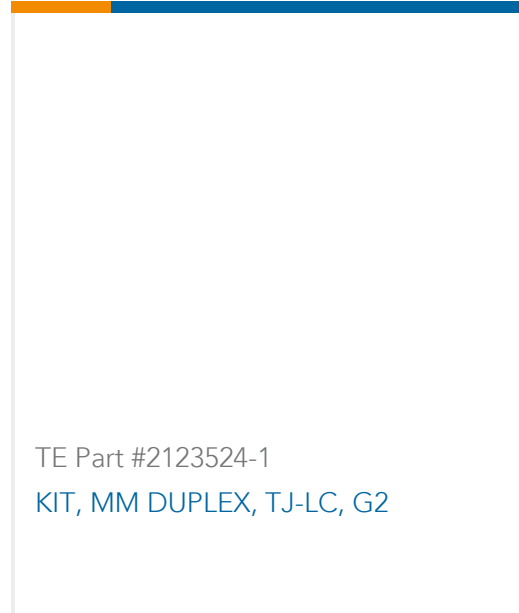
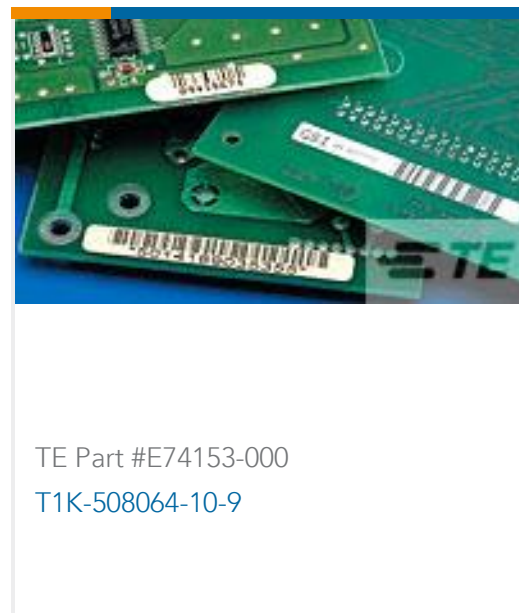
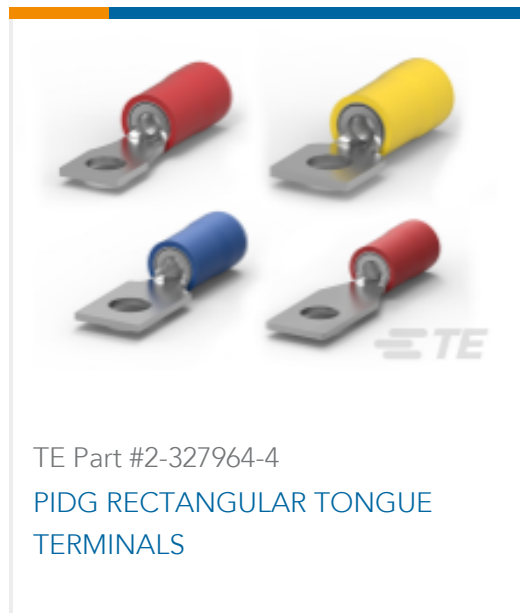
TE Part # 7-1617760-9  
FCB-405-0619M=M83536/6-019M

Also in the Series | CII FCB-205 Series



Mid-Range Relays(41)

Customers Also Bought



## Documents

### Product Drawings

[FCB-205-0219M=M83536/2-019M](#)

English

### CAD Files

[3D PDF](#)

3D

Customer View Model

[ENG\\_CVM\\_CVM\\_4-1617758-4\\_D.2d\\_dxf.zip](#)

English

Customer View Model

[ENG\\_CVM\\_CVM\\_4-1617758-4\\_D.3d\\_igs.zip](#)

English

Customer View Model

[ENG\\_CVM\\_CVM\\_4-1617758-4\\_D.3d\\_stp.zip](#)

English

By downloading the CAD file I accept and agree to the [Terms and Conditions](#) of use.

### Datasheets & Catalog Pages

[5-1773450-5\\_sec5\\_FCB-205](#)

English