

KUP-14A31F-120 ✓ ACTIVE

Potter & Brumfield | Potter & Brumfield KUP

TE Internal #: 8-1393117-6

Potter & Brumfield KUP, Power Relays, Industrial Panel Plug-In, Monostable, AC, 2.9 VA Coil Power Rating AC, 1700 Ω Coil Resistance

[View on TE.com >](#)



Relays, Contactors & Switches > Relays > Power Relays



Power Relay Type: **Industrial Panel Plug-In**

Coil Magnetic System: **Monostable, AC**

Coil Power Rating Class: **[2 – 3 VA]**

Coil Power Rating AC: **2.9 VA**

Coil Resistance: **1700 Ω**

Features

Product Type Features

Power Relay Type	Industrial Panel Plug-In
------------------	--------------------------

Electrical Characteristics

Insulation Initial Dielectric Between Coil & Contact Class	1500 – 2500 V
Insulation Initial Dielectric Between Contacts & Coil	2200 Vrms
Actuating System	AC
Insulation Initial Dielectric Between Open Contacts	1200 Vrms
Contact Limiting Making Current	5 A
Contact Limiting Short-Time Current	5 A
Contact Limiting Continuous Current	5 A
Insulation Initial Dielectric Between Adjacent Contacts	2200 Vrms
Insulation Initial Resistance	100 M Ω
Contact Limiting Breaking Current	5 A
Coil Magnetic System	Monostable, AC
	2 – 3 VA
Coil Power Rating AC	2.9 VA
Coil Resistance	1700 Ω
Coil Special Features	Electrical Indicator, UL Coil Insulation Class B
Coil Voltage Rating	120 VAC

Contact Switching Load (Min)	300mA @ 12V
------------------------------	-------------

Contact Voltage Rating	240 VAC
------------------------	---------

Body Features

Product Weight	85 g[2.988 oz]
----------------	----------------

Contact Features

Contact Arrangement	3 Form C (CO)
---------------------	---------------

Contact Current Class	5 – 10 A, 16 A
-----------------------	----------------

Contact Current Rating (Max)	5 A
------------------------------	-----

Contact Material	Ag
------------------	----

Contact Number of Poles	3
-------------------------	---

Relay Terminal Type	Plug-In, Quick Connect, Solder
---------------------	--------------------------------

Mechanical Attachment

Relay Mounting Type	Socket
---------------------	--------

Dimensions

Length Class (Mechanical)	35 – 40 mm
---------------------------	------------

Height Class (Mechanical)	40 – 50 mm
---------------------------	------------

Width Class (Mechanical)	30 – 40 mm
--------------------------	------------

Product Width	35.7 mm[1.405 in]
---------------	-------------------

Product Length	38.9 mm[1.55 in]
----------------	------------------

Product Height	50 mm[1.97 in]
----------------	----------------

Usage Conditions

Environmental Ambient Temperature Class	0 – 50 °C
---	-----------

Environmental Ambient Temperature (Max)	45 °C[113 °F]
---	---------------

Operating Temperature Range	-45 – 45 °C
-----------------------------	-------------

Packaging Features

Packaging Method	Package
------------------	---------

Product Compliance

[For compliance documentation, visit the product page on TE.com>](#)

EU RoHS Directive 2011/65/EU	Compliant
------------------------------	-----------

EU ELV Directive 2000/53/EC	Compliant
-----------------------------	-----------

China RoHS 2 Directive MIIT Order No 32, 2016	No Restricted Materials Above Threshold
---	---

EU REACH Regulation (EC) No. 1907/2006

Current ECHA Candidate List: JAN 2022 (223)

Candidate List Declared Against: JAN 2021 (211)

SVHC > Threshold:
Not Yet Reviewed

Halogen Content

Not Yet Reviewed for halogen content

Solder Process Capability

Not applicable for solder process capability

Product Compliance Disclaimer

This information is provided based on reasonable inquiry of our suppliers and represents our current actual knowledge based on the information they provided. This information is subject to change. The part numbers that TE has identified as EU RoHS compliant have a maximum concentration of 0.1% by weight in homogenous materials for lead, hexavalent chromium, mercury, PBB, PBDE, DBP, BBP, DEHP, DIBP, and 0.01% for cadmium, or qualify for an exemption to these limits as defined in the Annexes of Directive 2011/65/EU (RoHS2). Finished electrical and electronic equipment products will be CE marked as required by Directive 2011/65/EU. Components may not be CE marked. Additionally, the part numbers that TE has identified as EU ELV compliant have a maximum concentration of 0.1% by weight in homogenous materials for lead, hexavalent chromium, and mercury, and 0.01% for cadmium, or qualify for an exemption to these limits as defined in the Annexes of Directive 2000/53/EC (ELV). Regarding the REACH Regulation, the information TE provides on SVHC in articles for this part number is based on the latest European Chemicals Agency (ECHA) 'Guidance on requirements for substances in articles' posted at this URL: <https://echa.europa.eu/guidance-documents/guidance-on-reach>

Compatible Parts



TE Part # 2-1419106-5
27E893=SOCKET,KU,11,QC,POLY,NA-



TE Part # 1393143-1
27E043=SOCKET,KU,11,SLG,NYL,N



TE Part # 1393143-5
27E121=SOCKET,KUP,11,SCW,PLE



TE Part # 3-1393143-8
27E396=SOCKETS



TE Part # 1393143-2
27E067=SOCKET,KU,11,QC.187,NY

Also in the Series | **Potter & Brumfield KUP**



Power Relays(155)

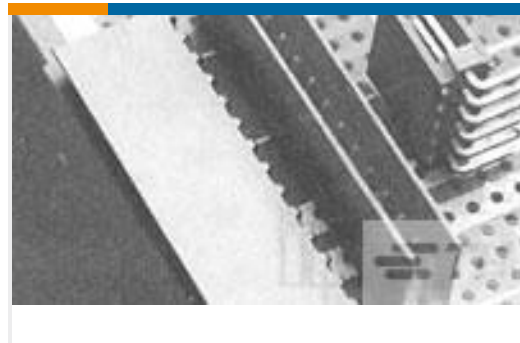


Relay Accessories, Sockets & Clips(12)

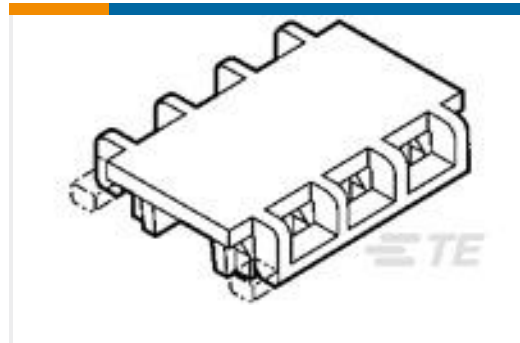
Customers Also Bought



TE Part #4-640440-6
Nylon Tin Plated Receptacle: 2.54mm,
No Mating Alignment, MTA 100



TE Part #281696-4
HEADER HE13 STRAIGHT 4 P



TE Part #643077-4
04P MTA100 MOLDED COVER F/T



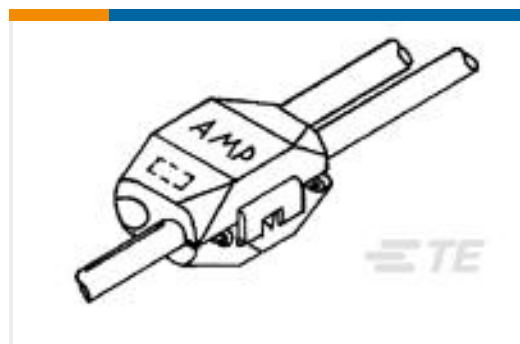
TE Part #34243
PG BUTT SPLC 22-16COMM22-18MIL



TE Part #3-640601-3
03P MTA156 CONN ASSY 22AWG LF



TE Part #1393122-1
KHAE-17D12-24=KH



TE Part #53440-1
ELECTRO-TAP, 18-14 AWG RUN&TAP



TE Part #3-640601-6
06P MTA156 CONN ASSY 22AWG LF

Documents

CAD Files

3D PDF

3D

Customer View Model

[ENG_CVM_CVM_8-1393117-6_D.2d_dxf.zip](#)

English

Customer View Model

[ENG_CVM_CVM_8-1393117-6_D.3d_igs.zip](#)

English

Customer View Model

[ENG_CVM_CVM_8-1393117-6_D.3d_stp.zip](#)

English

By downloading the CAD file I accept and agree to the [Terms and Conditions](#) of use.

Datasheets & Catalog Pages

[KU KUP Enclosed Relay](#)

English



[Industrial Relays Quick Reference Guide](#)

English

[Industrial Relays Quick Reference Guide](#)

Japanese

[Industrial Relays Quick Reference Guide](#)

Product Specifications

[Definitions, Handling, Processing, Testing and Use of Relays](#)

English