

## Product information

# 92 31 01

## Precision Tweezers



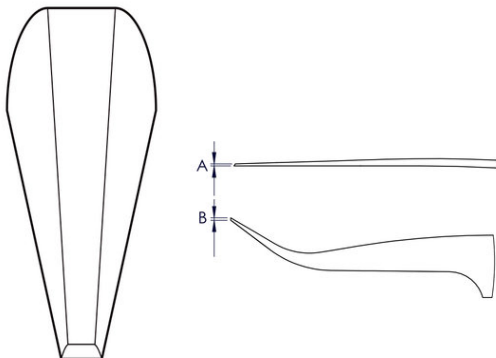
- For particularly demanding precision work: tough and highly resistant to corrosion
- Handcrafted: polished edges and an excellent matt, scratch-free and non-reflective surface
- For the electronics industry, watchmakers, jewellers, laboratories with biological and medical applications in moderately aggressive chemical environments
- High-quality premium stainless steel: high temperature resistance and excellent corrosion resistance to most chemicals, salts and acids
- Ideally suited for microscopic work, precision handling, repairs, manufacturing electronic components, as well as other general applications; tips are guaranteed to have perfect symmetry and balance
- Also available as a set (92 00 02)
- Premium stainless steel

### General

Article No.	92 31 01
EAN	4003773085027
Material	premium stainless steel
Gripping surfaces	smooth gripping surfaces
Weight	14 g
Dimensions	120 x 10 x 11 mm
Reach	no
RohS	no

### Technical details

Tips width (A)	0.09 mm
Tips width (B)	0.16 mm
Corrosion-resistant	yes
	no
VDE tested	no
sectors	Industry electronics



### Classification

eCl@ss 5.1.4	21040500
ETIM 5.0	EC000182
ETIM 6.0	EC000182
proficl@ss 6.0	EAB696c019

technical change and errors excepted

