

# INTERCHANGEABLE WALL PLUG POWER SUPPLY 15VDC 12WATT

## POWERPAX: SW4458B



### Features:

- Interchangeable AC Heads
- Worldwide Approvals
- Reliability level of 50K hours MTBF
- Cooling: natural convection

### Description:

Our range of 12 Watt Interchangeable wall plug power supplies provide 12 Watts of continuous power with the flexibility of worldwide usage as they are supplied with UK, Euro, USA & Auz AC Heads , all Efficiency Level VI and carry worldwide safety approvals.

Specification	
Part Number	SW4458B
Input Voltage Range	100-264 Vac
Input Frequency Range	50-60Hz
Input Current Rated	0.4A Max
Input AC Heads	UK, Euro, USA & Auz
Output Voltage Rating	15V
Output Current Range	0.4A
Output Min Current	0.01A
Output Connection Type	5.5 x 2.1 x 12mm Fork and Groove Centre Positive
Line and Load Regulation	±5%
Ripple & Noise	240 mV p-p
Efficiency	82.96% Min
Short Circuit Protection	The adaptor shall not be damaged by short the DC output to ground. The adaptor shall resume normal operation when a short circuited fault condition is removed
Over Current Protection	Output will be protected against the over current conditions
Operating Temperature	0°C to +50°C
Storage Temperature	-20°C to +80°C
Operating Humidity	10% to 90%
Storage Humidity	10% to 90%
Hi-Pot	3000VAC 10mA 1min
Leakage Current	0.25mA max
Safety Standard	Meets UL, CUL, CE, SAA
EMI Standard	Meets CE(EN55032) AND FCC Class B
MTBF	50K Hours
Size mm max.	78.98mm(L) x 41mm(W) x 72.2mm(H)

## POWERPAX

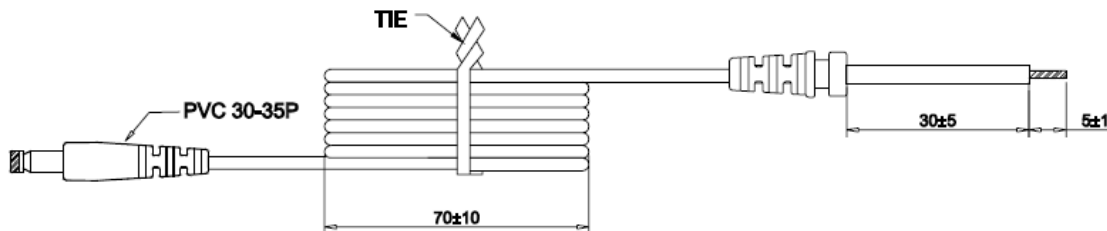
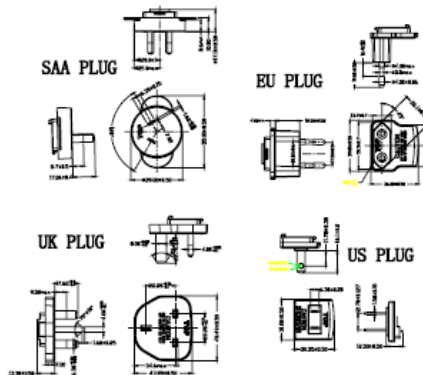
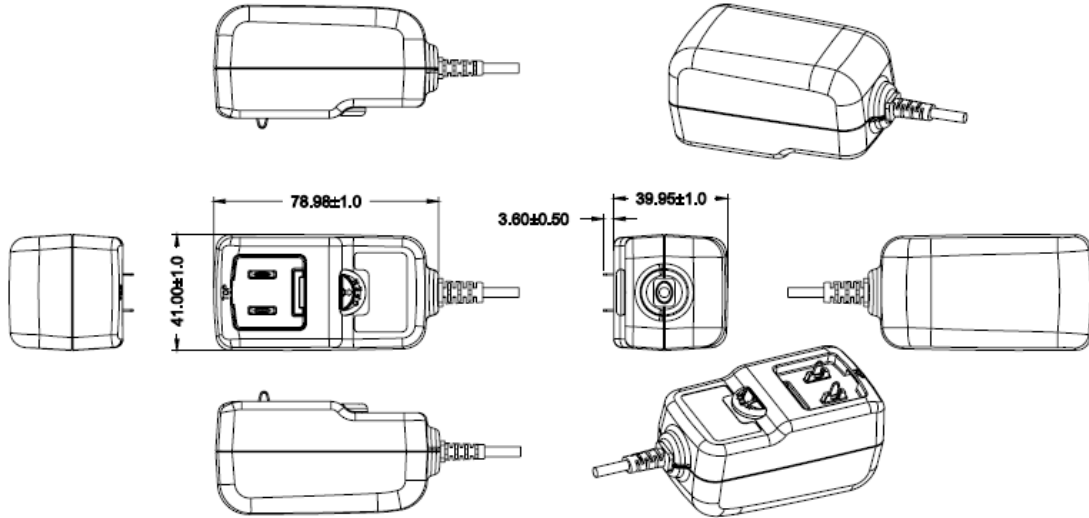
### General Note

TT Electronics reserves the right to make changes in product specification without notice or liability. All information is subject to TT Electronics' own data and is considered accurate at time of going to print.

TT Electronics IoT Solutions Ltd  
Tofts Farm East, Brenda Road, Hartlepool, TS25 2BQ, UK  
t: +44 (0) 1429 852 500

# INTERCHANGEABLE WALL PLUG POWER SUPPLY 15VDC 12WATT POWERPAX: SW4458B

## Diagrams



**NOTE: (unit:mm)**

- 1). WIRE TYPE: VW-1 80°C 300V L=1830mm 2468 22AWG 2C BLACK+WHITE  
BLACK and WHITE—Positive BLACK—Negative
- 2). THE POLARITY:  $\ominus$   $\oplus$
- 3). PAHS REACH ROHS

**General Note**

TT Electronics reserves the right to make changes in product specification without notice or liability. All information is subject to TT Electronics' own data and is considered accurate at time of going to print.

## POWERPAX

TT Electronics IoT Solutions Ltd  
Tofts Farm East, Brenda Road, Hartlepool, TS25 2BQ, UK  
t: +44 (0) 1429 852 500