

# PC F 65 T



Sample image

**Order symbol:** PC F 65 T

**Product nbr:** 8724011

UL Code: 8714011

UL Name: UL PC F 65 T

**Description:** Enclosure. PC

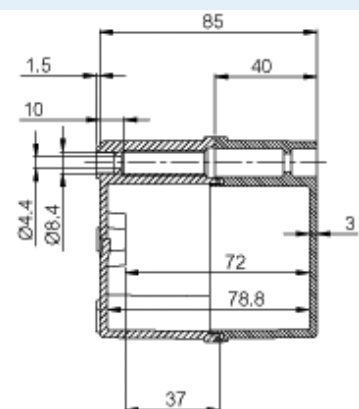
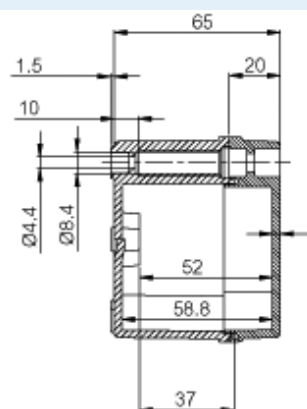
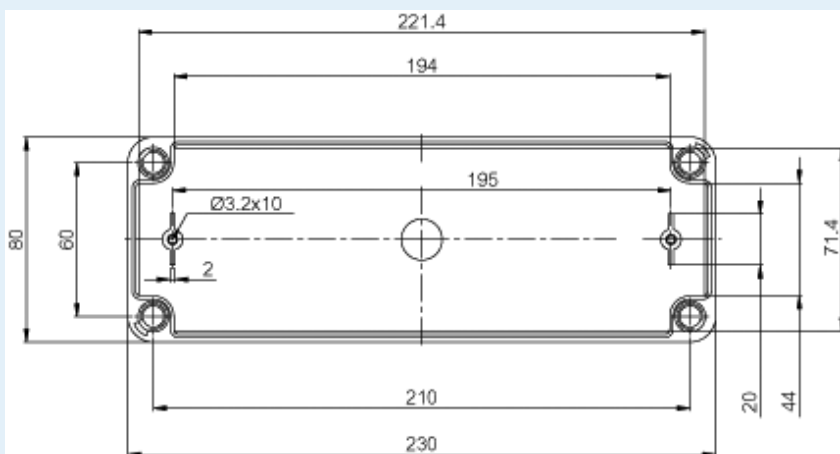
**Remarks:** Transparent cover

**EAN:** 6418074002181

**El. number:**

- Finland: 3423513
- Denmark: 8212001624
- Sweden: 2536850

**Including:** Base with screws for mounting plate/DIN-rail. cover with PUR gasket and polyamide cover screws.



**Dimensions:**

	<b>Height</b>	<b>Width</b>	<b>Depth</b>
mm:	230	80	65
inch:	9.06	3.15	2.56

**Materials:**

Material:	Polycarbonate
Base colour:	RAL 7035 -light grey
Cover colour:	
Gasket material:	Polyurethane

**Temperatures:**

Temperature °C (short term)::	-40 ... 120
Temperature °C (continuous):	
Temperature °F (short term):	-40 ... 250
Temperature °F (continuous):	-40 ... 175

**Accessories:**

FP 22040	Mounting foot kit (2 pcs). for enclosures:
F-MP	Back Panel. for enclosures: (200 x 54 x 1)
FM-3	DIN-35 Mounting rail. for enclosures: (35 x 200 x 1)

**Rating:**

Ingress protection (EN 60529):	IP66; IP67;
Impact Resistance (EN 62262):	IK08;
Electrical insulation:	Totally insulated
Halogen free (DIN/VDE 0472, Part 815):	1
UV resistance:	UL 508
Flammability Rating:	UL 746C 5"
Glow Wire Test (IEC 695-2-1) °C:	960 °C
NEMA Class	

**Certificates:**

SGSFIMKO\_PICC\_pc