

PCM 125/60 T



Sample image

Order symbol: PCM 125/60 T

Product nbr: 6016907

Description: Enclosure. PC

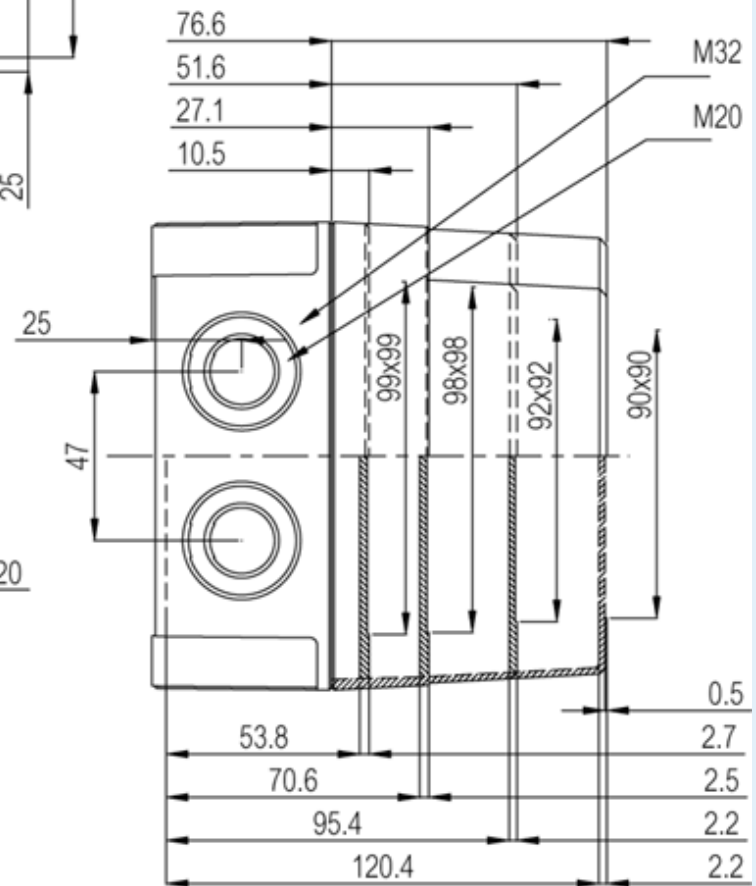
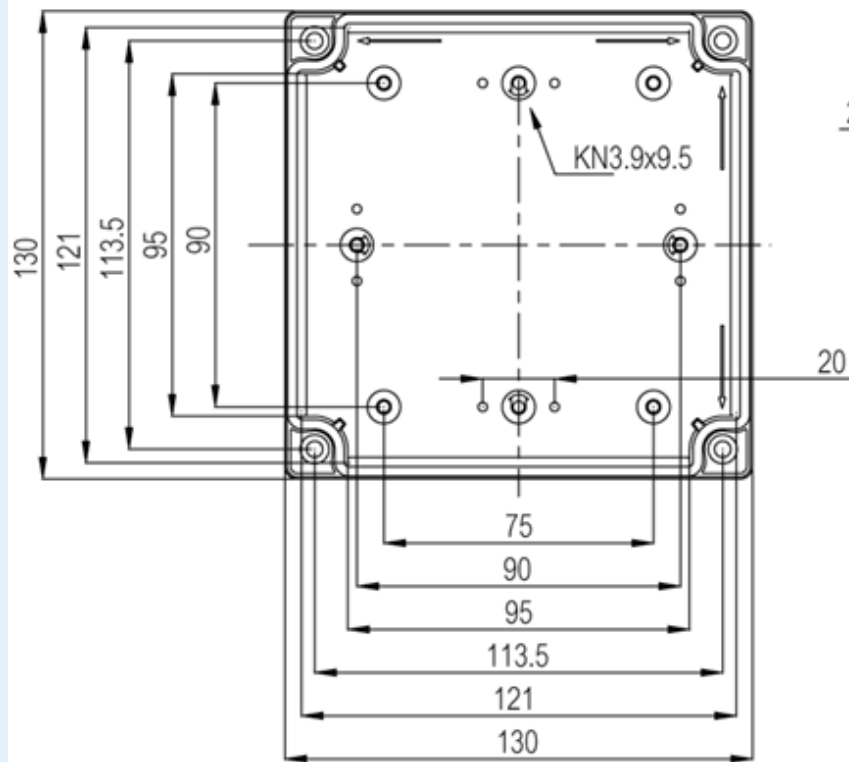
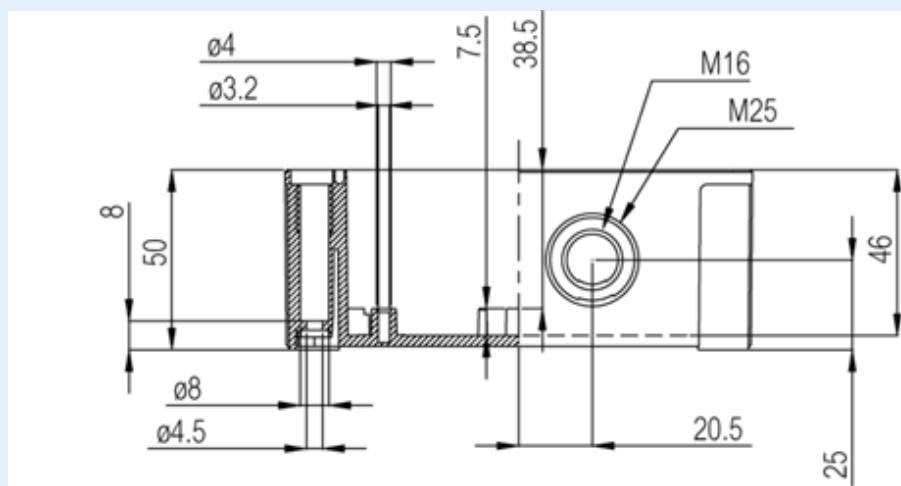
Remarks: Smoked transparent cover

EAN: 6418074038203

El. number:

- Finland: 3421660
- Denmark: 8212027077
- Sweden: 2535412

Including: Base with TPE gasket. screws for mounting plate/DIN-rail and cover with polyamide cover screws.



| Dimensions: | Height | Width | Depth |
|-------------|--------|-------|-------|
| mm: | 130 | 130 | 60 |
| inch: | 5.12 | 5.12 | 2.36 |

Materials:

| | |
|------------------|----------------------|
| Material: | Polycarbonate |
| Base colour: | RAL 7035 -light grey |
| Cover colour: | Clear transparent |
| Gasket material: | Polyurethane |

Temperatures:

| | |
|-------------------------------|-------------|
| Temperature °C (short term):: | -40 ... 120 |
| Temperature °C (continuous): | -40 ... 80 |
| Temperature °F (short term): | -40 ... 250 |
| Temperature °F (continuous): | -40 ... 175 |

Accessories:

| | |
|--------------|--|
| MIV 10 | DIN-35 Mounting rail. for enclosures: (100 x 35 x 1) |
| HFP 130 | Front panel hinge series for FP A 100-125 |
| FP A 125/130 | Front panel (Aluminum). for enclosures: (120 x 112 x 1) |
| MIN 10 | DIN-15 Mounting rail. for enclosures: (100 x 15 x 1) |
| FP 22046 | Mounting foot kit (4 pcs) |
| MIV 125 | Back Panel (Galvanized steel). for enclosures: (98 x 98 x 1) |

Rating:

| | |
|--|-------------------|
| Ingress protection (EN 60529): | IP66; IP67; |
| Impact Resistance (EN 62262): | IK08; |
| Electrical insulation: | Totally insulated |
| Halogen free (DIN/VDE 0472, Part 815): | 1 |

| | |
|----------------------------------|------------|
| UV resistance: | UL 508 |
| Flammability Rating: | UL 746C 5" |
| Glow Wire Test (IEC 695-2-1) °C: | 960 °C |
| NEMA Class | |

Certificates:

Certificate FI 40847